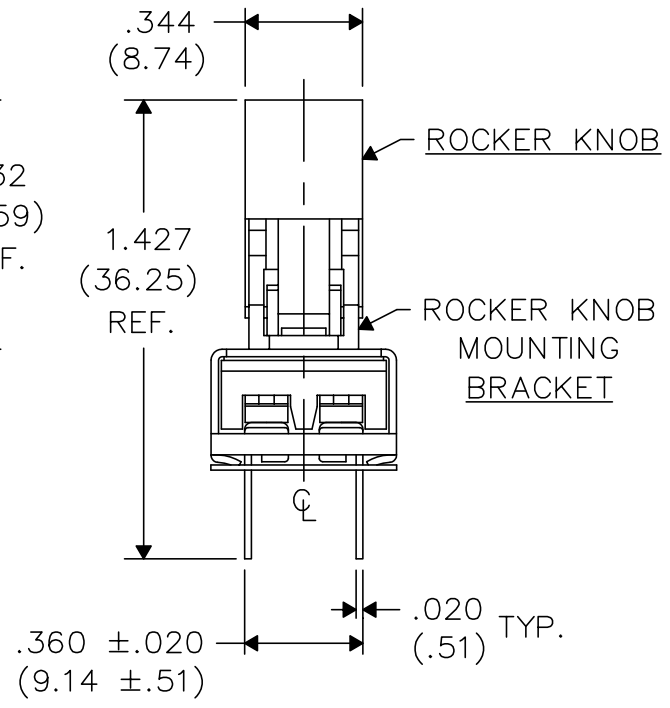
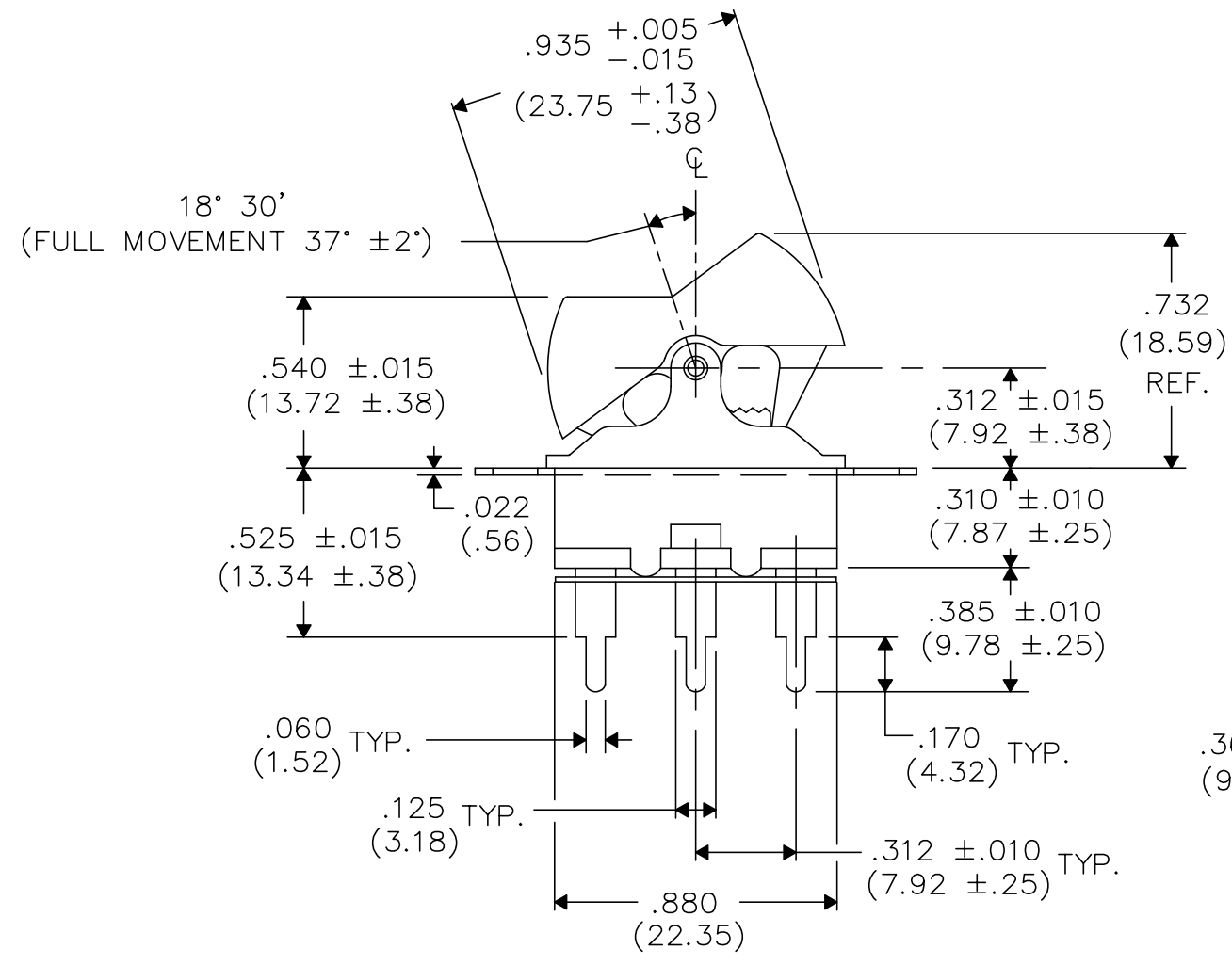
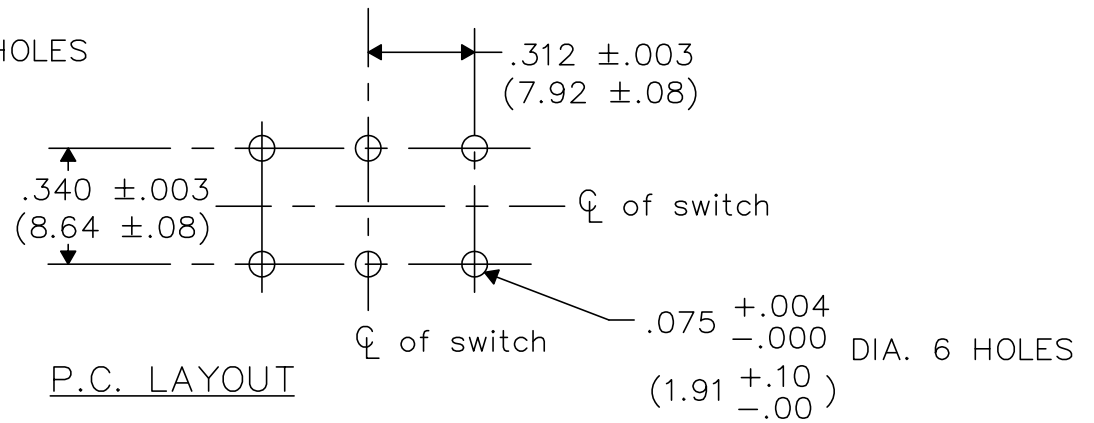
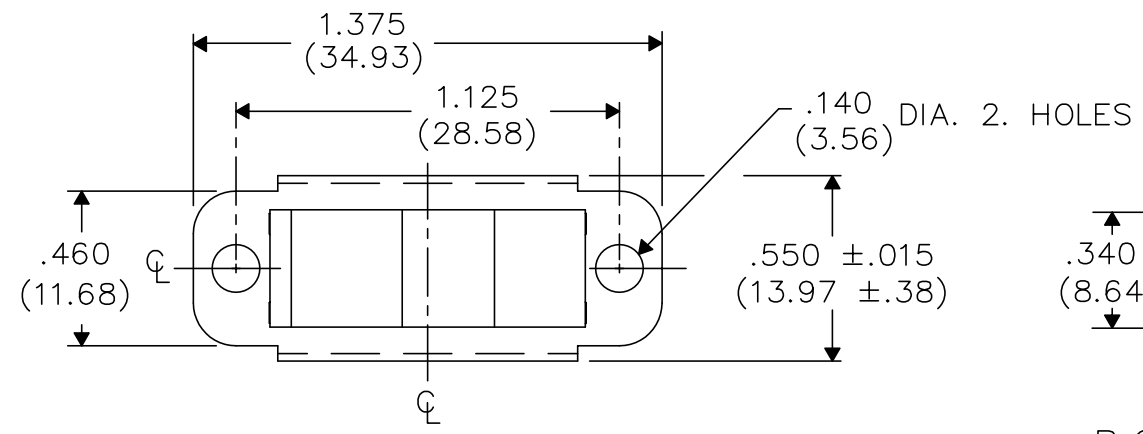


DIMENSIONS IN INCHES (MILLIMETERS)  
DO NOT SCALE DRAWING .....

Dwg. No.  
GR5-626-0819



1 2 3 4 5 6 7 8 9 10

FORM-B4  
REVISIONS  
O  
RELEASED.  
DGW 4-19-2002  
4-25-2002

**CW INDUSTRIES**  
Southampton, Pa. 18966  
TOLERANCES UNLESS OTHERWISE SPECIFIED  
2 Place Decimal ±.010 METRIC  
3 Place Decimal ±.005 1 Place Dec. ±.25mm  
Angles ..... ±1° 2 Place Dec. ±.13mm  
Made for: CW IND.  
Drawn by: DGW 4-19-2002  
Checked by: GG 4-25-02  
Approval: BF 4-25-02

Title: SWITCH ASSEMBLY  
D.P.- D.T.  
W/SOLDER SHIELD  
& P.C. TERMINALS  
Division: SWITCH  
Dwg. No. GR5-626-0819