

PRODUCT NUMBER  
20020007-XXXXXXLF

20020007 - [ ] [ ] [ ] [ ] [ ] [ ] [ ] L F

PITCH

G: 5.00 mm  
H: 5.08 mm

POLES

02: 2 POLES  
03: 3 POLES  
04: 4 POLES  
...  
24: 24 POLES

LF : DENOTED RoHS COMPATIBLE

1 : STANDARD PRODUCT  
W/ BOX PACKING

PRINTING CODE	POSITION	MARKING
0	NONE	NONE
1	SIDE	1,2,3,4,5...

SCREW CODE

CODE	SCREW TYPE	AVAILABILITY
A	-/+	ON REQUEST ONLY
B	-	STANDARD

NOTES:

- MATERIALS  
1-1 HOUSING: THERMALPLASTIC RESIN, UL 94V-0 RATED.  
1-2 SCREW: STEEL, ZINC PLATED.  
1-3 CLAMP: COPPER ALLOY, NICKEL PLATED.  
1-4 TERMINAL: COPPER ALLOY, TIN PLATED.
- PRODUCT SPECIFICATION REFER TO FCI GS-12-625.
- PRODUCT PACKING SPECIFICATION REFER TO FCI GS-14-1394.
- FCI, SAFETY CERTIFICATE LOGO AND SERIES NAME TO BE SHOWN ON PRODUCT SURFACE.
- THE PRODUCTS WHERE THE PART NUMBER END IN "LF" MEET THE EUROPEAN UNION DIRECTIVE AND OTHER COUNTRY REGULATIONS AS DESCRIBED IN GS-22-008.

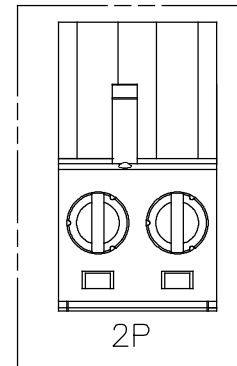
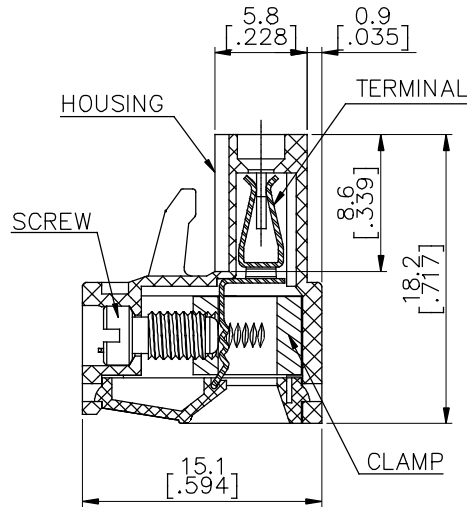
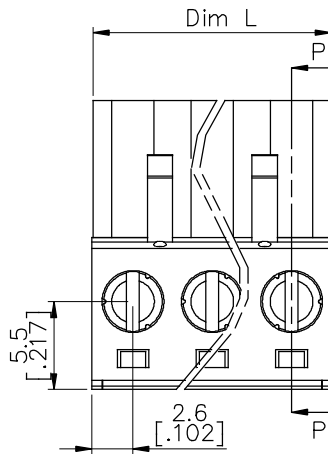
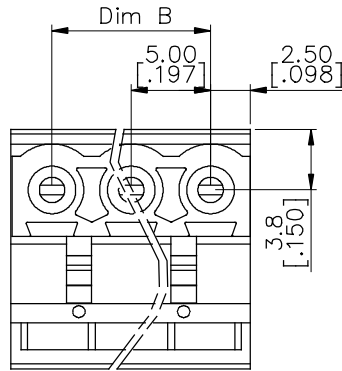
PROPERTY TABLE				
FCI SERIES NAME		01-500	01-508	
PITCH (mm)		5.00	5.08	
VOLTAGE RATING (VAC)		300	300	
CURRENT RATING (A)		12	12	
APPLICABLE WIRE RANGE (AWG)	1-WIRE	12~24	12~24	
	2-WIRE	18	18	
WIRE CROSS SECTION (mm <sup>2</sup> )	SOLID	1-WIRE	2.5	
		2-WIRE	1.0	
	STRANDED	1-WIRE	2.5	
		2-WIRE	1.5	
OPENING CONTACT HOUSING(mm <sup>2</sup> )		2.6x3.2	2.6x3.2	
WIRE STRIP LENGTH(mm)		7~8	7~8	
TORQUE +/- 10% (N-m/Lb-in)		0.57/5.0	0.57/5.0	
SCREW		M3x0.5	M3x0.5	
WITHSTANDING VOLTAGE (kV)		1.6	1.6	
OPERATING TEMP. (°C)		-40~+115	-40~+115	
POLES AVAILABLE		02~24	02~24	
SAFETY CERTIFICATE				

HOUSING CODE

CODE	COLOR	AVAILABILITY
1	GREEN(RAL 6018/T)	STANDARD
2	BLACK	ON REQUEST ONLY
3	GREY(RAL 7004/P)	ON REQUEST ONLY
4	BLUE(RAL 5015/A)	ON REQUEST ONLY

mat'l. code		surface	tolerance	projection	product family
		ASME Y14.5	ASME Y14.5		TERMINAL BLOCK
ltr	ecn no	dr	date	tolerances unless otherwise specified	title
A	T10-0082	WL	080510	X.±0.5	
B	T10-0158	WL	100410	X.X±0.3	TERMINAL BLOCK PLUGGABLE, PLUG, SIGNAL, W/O FLANGE DOWNSIDE CONTACT
C	T-005908	WL	091311	X*±1*	
D	T-010814	LS	050912	X.XX±0.1	scale
		dr	WENDY CHEN	051410	
		enr	JASON HSU	051410	FCI
		chr	GARY HSIEH	051410	
		appd	JOSEPH HSIA	051410	
sheet index	revision sheet	D	D	D	dwg no
		1	2	3	20020007
					sheet 1 of 3
					size A4
					type CUSTOMER Drawing

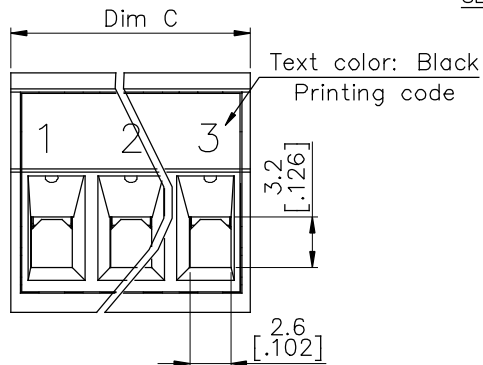
PRODUCT NUMBER	SERIES NAME	PITCH
20020007-GXXXXXXLF	01-500	5.00 mm



N= Number of poles

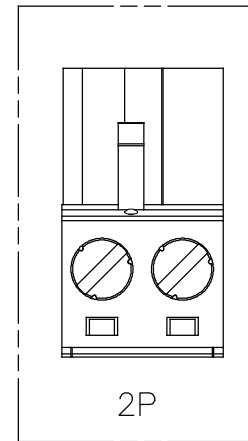
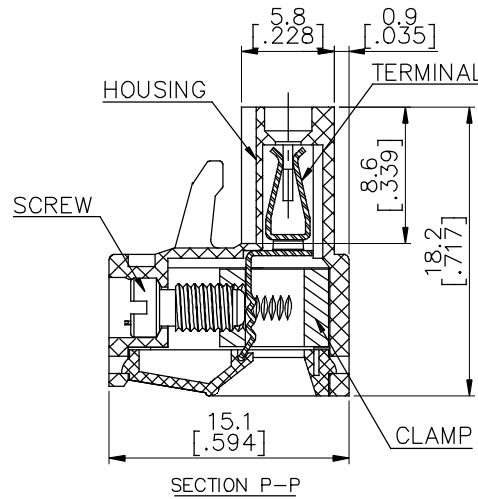
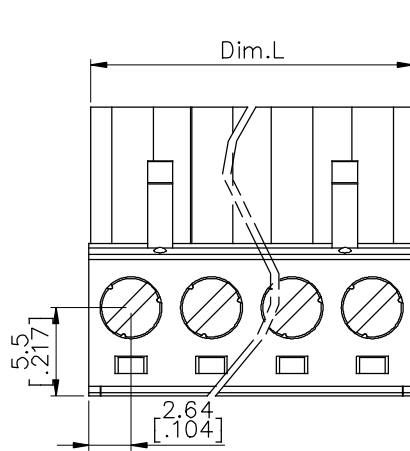
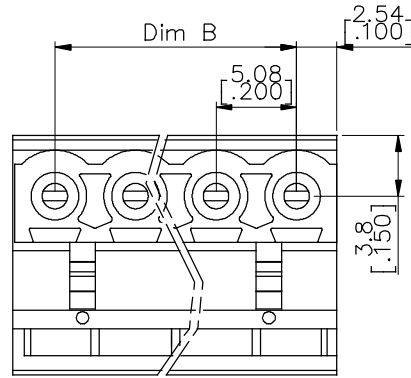
Dim L	$N \times 5.0 [.197]$
Dim B	$(N-1) \times 5.0 [.197]$
Dim C	$N \times 5.0 [.197] + 0.1 [.004]$

Poles	Tolerance
2P-7P	$\pm 0.15 [.006]$
8P-12P	$\pm 0.25 [.010]$
13P-18P	$\pm 0.30 [.012]$
19P-24P	$\pm 0.40 [.016]$



mat'l. code		surface ASME Y14.5 ✓	tolerance ASME Y14.5	projection MM [INCH]	product family TERMINAL BLOCK
ltr	ecn no	dr	date	tolerances unless otherwise specified	title TERMINAL BLOCK PLUGGABLE, PLUG, SIGNAL, W/O FLANGE DOWNSIDE CONTACT
D				angles X $\pm$ 0.5 X.X $\pm$ 0.3 X* $\pm$ 1*	
				scale	dwg no 20020007
		dr	WENDY CHEN	051410	sheet 2 of 3
		enr	JASON HSU	051410	size A4
		chr	GARY HSIEH	051410	type CUSTOMER Drawing
		appd	JOSEPH HSIA	051410	
sheet index	revision sheet				

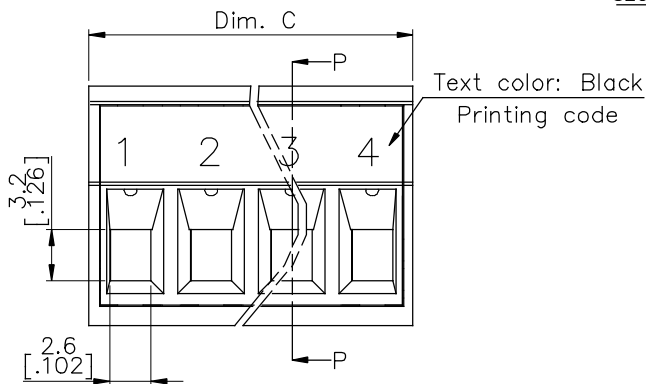
PRODUCT NUMBER	SERIES NAME	PITCH
20020007-HXXXXXXLF	01-508	5.08 mm



N= Number of poles

Dim L	$N \times 5.08 [.200]$
Dim B	$(N-1) \times 5.08 [.200]$
Dim C	$N \times 5.08 [.200] + 0.1 [.004]$

Poles	Tolerance
2P-7P	$\pm 0.15 [.006]$
8P-12P	$\pm 0.25 [.010]$
13P-18P	$\pm 0.30 [.012]$
19P-24P	$\pm 0.40 [.016]$



mat'l. code		surface ASME Y14.5 ✓	tolerance ASME Y14.5	projection MM [INCH]	product family TERMINAL BLOCK
ltr	ecn no	dr	date	tolerances unless otherwise specified	title TERMINAL BLOCK PLUGGABLE, PLUG, SIGNAL, W/O FLANGE DOWNSIDE CONTACT
D				angles X°±1'	
				tolerances unless otherwise specified	scale
				dr WENDY CHEN 051410	sheet 3 of 3
				enr JASON HSU 051410	size A4
				chr GARY HSIEH 051410	dwg no 20020007
				appd JOSEPH HSIA 051410	type CUSTOMER Drawing
sheet index	revision sheet				