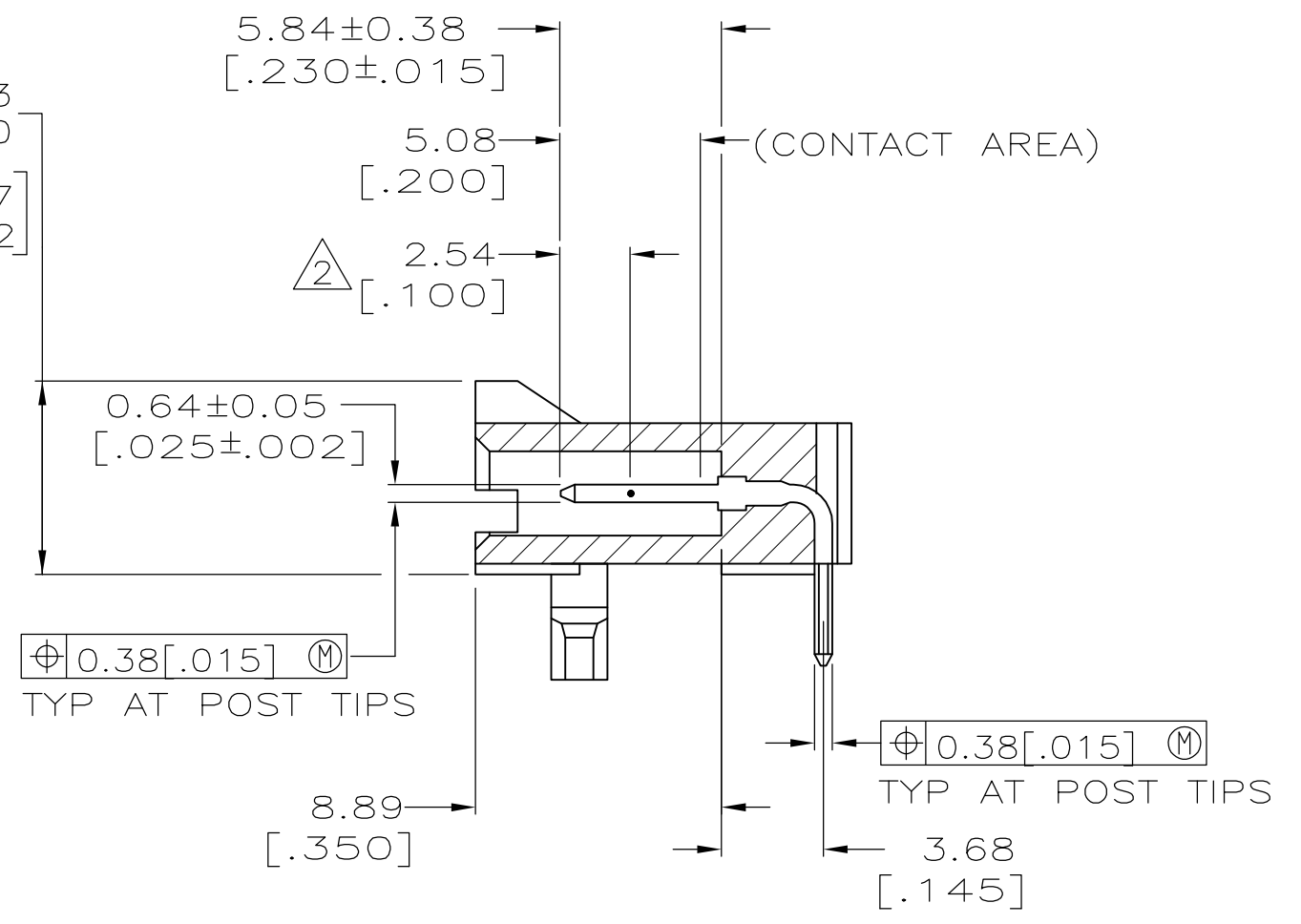
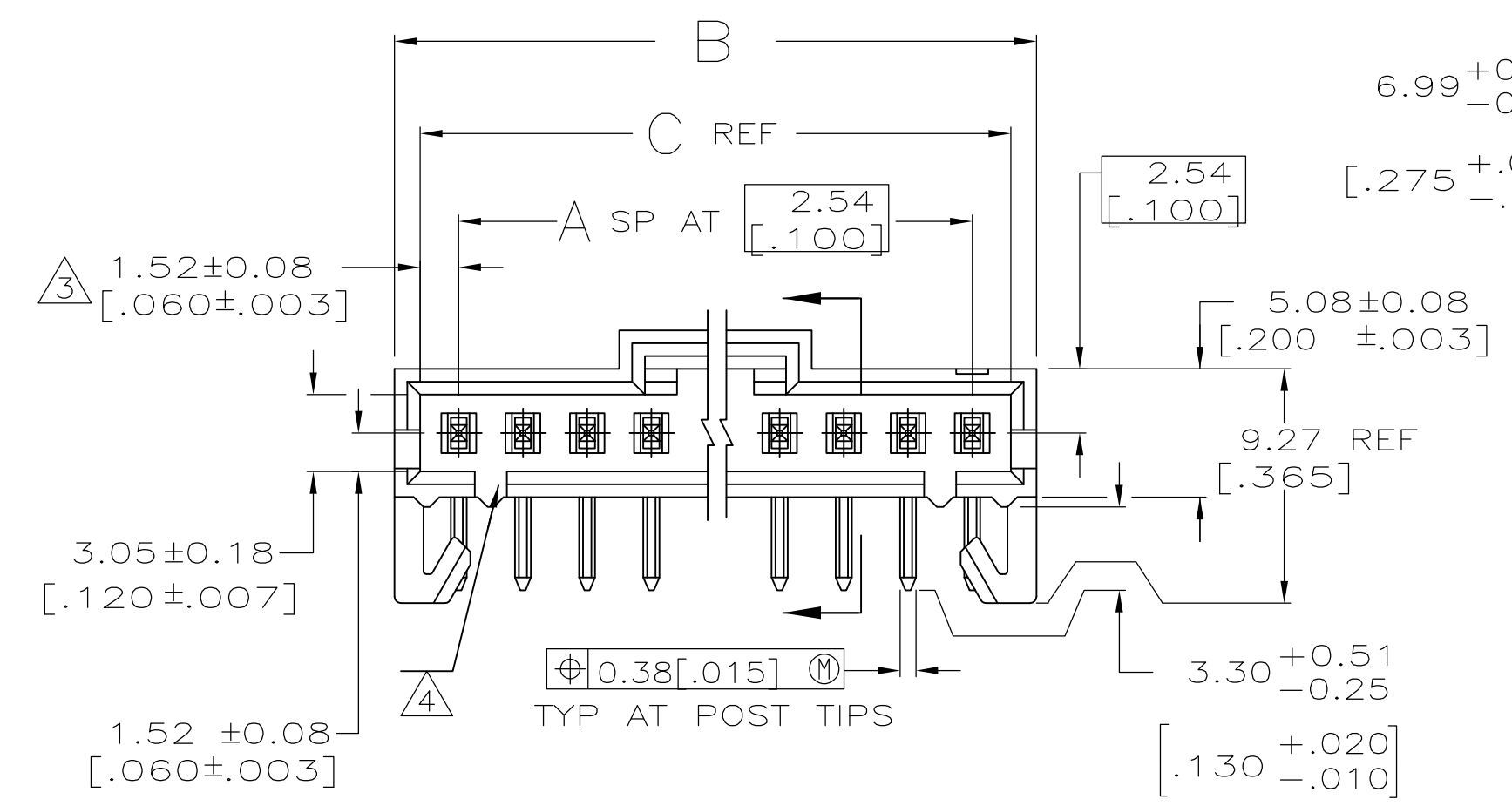
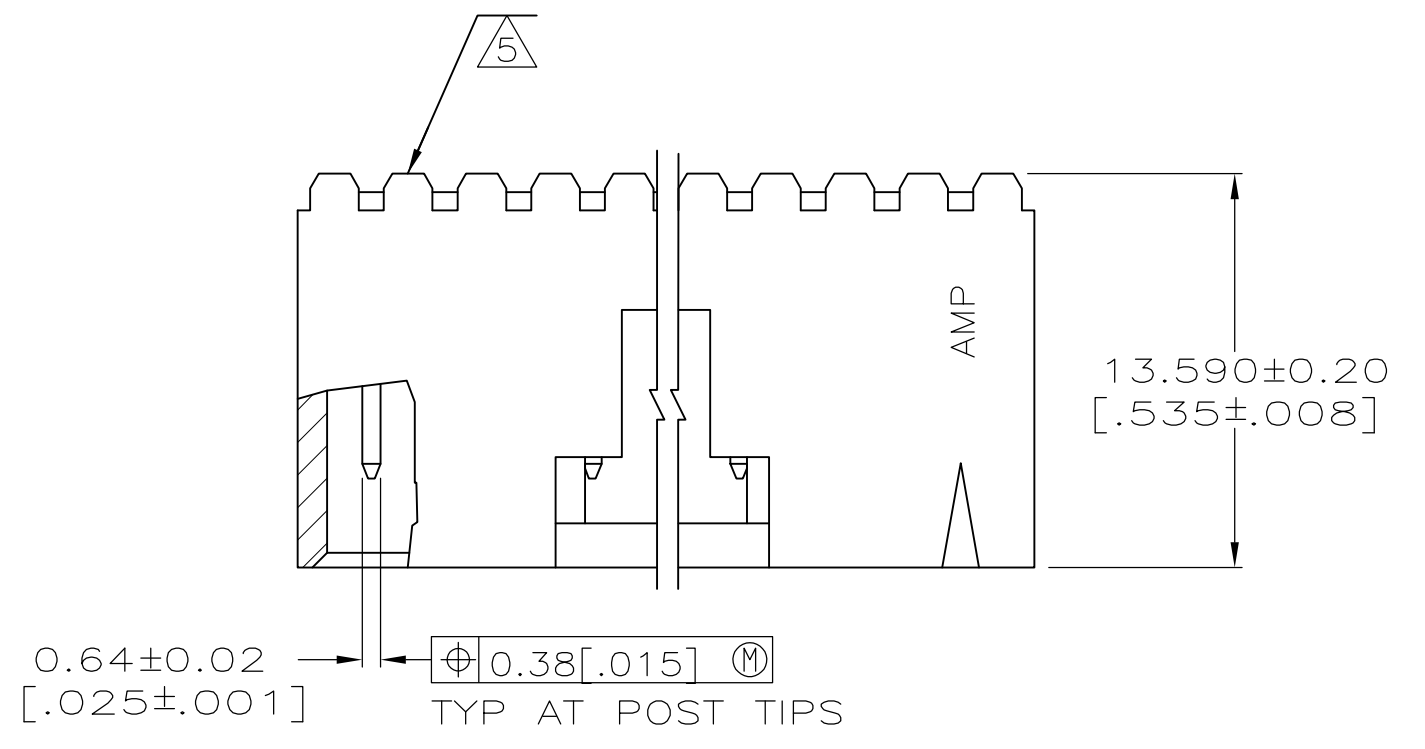
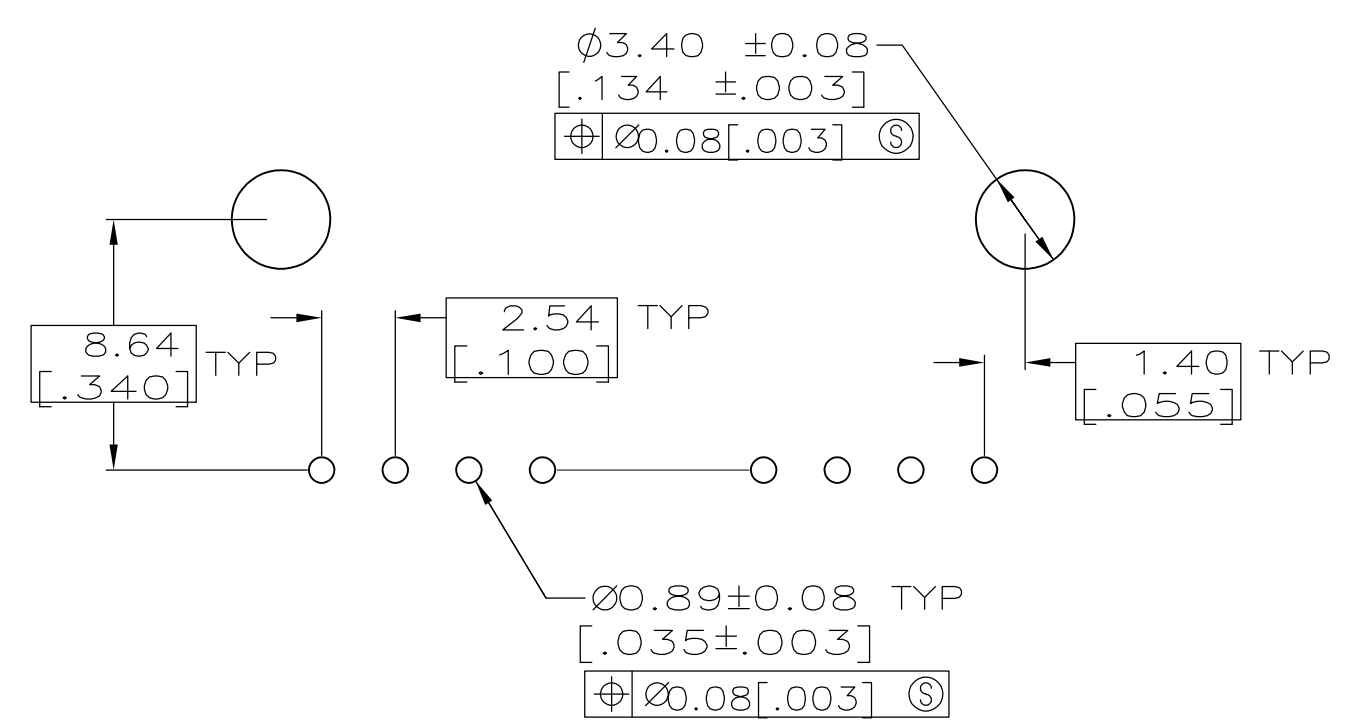


LOC	DIST	REVISIONS					
AD	00	P	LTR	DESCRIPTION	DATE	DWN	APPD
		T3		REVISED PER ECO-11-004587	11MAR11	RK	HMR



- ① .00038[.000015] GOLD IN THE CONTACT AREA, .00254[.000100] MATTE TIN-LEAD ON REMAINDER OF CONTACT, ALL OVER .00127[.000050] NICKEL.
- ② POINT OF MEASUREMENT FOR PLATING THICKNESS.
- ③ THE NOTED DIMENSIONS APPLY AT THE INTERSECTION OF THE POST AND THE HOUSING.
- ④ ON ASSEMBLIES WITH FOUR OR MORE POSITIONS, TWO POLARIZATION SLOTS. ON ASSEMBLIES WITH TWO OR THREE POSITIONS, ONE POLARIZATION SLOT.
- ⑤ AMP TRADEMARK MOLDED ON THIS SURFACE.
- 6. FOR USE WITH 1.57 ± 0.20 [0.062 ± 0.008] PRINTED CIRCUIT BOARD.
- ⑥ .00038[.000015] GOLD IN THE CONTACT AREA, .00254[.000100] MATTE TIN ON REMAINDER OF CONTACT, ALL OVER .00127[.000050] NICKEL.
- ⑦ PRELIMINARY PART - NOT RELEASED FOR PRODUCTION.
- ⑧ HIGH TEMPERATURE CONFIGURATION.
- ⑨ OBSOLETE PARTS: OBSOLETE CIS STREAMLINING PER D.RENAUD/D.SINISI



RECOMMENDED HOLE LAYOUT

SEE SHEET 2 FOR PART NUMBER TABLES

THIS DRAWING IS A CONTROLLED DOCUMENT.		DWN S. SHUEY 05MAR91	STE TE Connectivity	
DIMENSIONS: mm [INCHES]		CHK J. GESFORD 05MAR91	NAME HDR ASSY, RTANG, SINGLE ROW 2.54[.100] C/L 0.641[.025] SQ. POST, WITH PLZN & HOLD DOWNS, AMPMODU MTE	
TOLERANCES UNLESS OTHERWISE SPECIFIED:		APVD J. GESFORD 05MAR91	PRODUCT SPEC 108-25034	
0 PLC ± -		APPLICATION SPEC 114-25026		
1 PLC ± -		SIZE A1		
2 PLC ± 0.13[.005]		CAGE CODE 00779		
3 PLC ± -		DRAWING NO 103673		
4 PLC ± -		RESTRICTED TO -		
ANGLES ± -		WEIGHT -		
FINISH SEE TABLE		CUSTOMER DRAWING		
SCALE 4:1		SHEET 1 OF 2		
		REV T3		

9	7	64.01 [2.520]	66.04 [2.600]	24	25	7-103673-4	OBSOLETE	10
9	7	61.47 [2.420]	63.50 [2.500]	23	24	7-103673-3		
9	7	58.93 [2.320]	60.96 [2.400]	22	23	7-103673-2	OBSOLETE	10
9	7	56.39 [2.220]	58.42 [2.300]	21	22	7-103673-1	OBSOLETE	10
9	7	53.85 [2.120]	55.88 [2.200]	20	21	7-103673-0	OBSOLETE	10
9	7	51.31 [2.020]	53.34 [2.100]	19	20	6-103673-9		
9	7	48.77 [1.920]	50.80 [2.000]	18	19	6-103673-8	OBSOLETE	10
9	7	46.23 [1.820]	48.26 [1.900]	17	18	6-103673-7	OBSOLETE	10
9	7	43.69 [1.720]	45.72 [1.800]	16	17	6-103673-6		
9	7	41.15 [1.620]	43.18 [1.700]	15	16	6-103673-5		
9	7	38.61 [1.520]	40.64 [1.600]	14	15	6-103673-4		
9	7	36.07 [1.420]	38.10 [1.500]	13	14	6-103673-3		
9	7	33.53 [1.320]	35.56 [1.400]	12	13	6-103673-2	OBSOLETE	10
9	7	30.99 [1.220]	33.02 [1.300]	11	12	6-103673-1		
9	7	28.45 [1.120]	30.48 [1.200]	10	11	6-103673-0		
9	7	25.91 [1.020]	27.94 [1.100]	9	10	5-103673-9		
9	7	23.37 [.920]	25.40 [1.000]	8	9	5-103673-8		
9	7	20.83 [.820]	22.86 [.900]	7	8	5-103673-7		
9	7	18.29 [.720]	20.32 [.800]	6	7	5-103673-6		
9	7	15.75 [.620]	17.78 [.700]	5	6	5-103673-5		
9	7	13.21 [.520]	15.24 [.600]	4	5	5-103673-4		
9	7	10.67 [.420]	12.70 [.500]	3	4	5-103673-3		
9	7	8.13 [.320]	10.16 [.400]	2	3	5-103673-2		
9	7	5.59 [.220]	7.62 [.300]	1	2	5-103673-1		
REMARKS	PLATING	C	B	A	NO. OF POSN	PART NO.		

8	7	41.15 [1.620]	43.18 [1.700]	15	16	2-103673-6		
8	7	18.29 [.720]	20.32 [.800]	6	7	2-103673-5		
1	1	64.01 [2.520]	66.04 [2.600]	24	25	2-103673-4		
1	1	61.47 [2.420]	63.50 [2.500]	23	24	2-103673-3		
1	1	58.93 [2.320]	60.96 [2.400]	22	23	2-103673-2	OBSOLETE	10
1	1	56.39 [2.220]	58.42 [2.300]	21	22	2-103673-1		
1	1	53.85 [2.120]	55.88 [2.200]	20	21	2-103673-0	OBSOLETE	10
1	1	51.31 [2.020]	53.34 [2.100]	19	20	1-103673-9		
1	1	48.77 [1.920]	50.80 [2.000]	18	19	1-103673-8	OBSOLETE	10
1	1	46.23 [1.820]	48.26 [1.900]	17	18	1-103673-7		
1	1	43.69 [1.720]	45.72 [1.800]	16	17	1-103673-6		
1	1	41.15 [1.620]	43.18 [1.700]	15	16	1-103673-5		
1	1	38.61 [1.520]	40.64 [1.600]	14	15	1-103673-4		
1	1	36.07 [1.420]	38.10 [1.500]	13	14	1-103673-3		
1	1	33.53 [1.320]	35.56 [1.400]	12	13	1-103673-2	OBSOLETE	10
1	1	30.99 [1.220]	33.02 [1.300]	11	12	1-103673-1		
1	1	28.45 [1.120]	30.48 [1.200]	10	11	1-103673-0		
1	1	25.91 [1.020]	27.94 [1.100]	9	10	103673-9		
1	1	23.37 [.920]	25.40 [1.000]	8	9	103673-8		
1	1	20.83 [.820]	22.86 [.900]	7	8	103673-7		
1	1	18.29 [.720]	20.32 [.800]	6	7	103673-6		
1	1	15.75 [.620]	17.78 [.700]	5	6	103673-5		
1	1	13.21 [.520]	15.24 [.600]	4	5	103673-4		
1	1	10.67 [.420]	12.70 [.500]	3	4	103673-3		
1	1	8.13 [.320]	10.16 [.400]	2	3	103673-2		
1	1	5.59 [.220]	7.62 [.300]	1	2	103673-1		
PLATING	C	B	A	NO. OF POSN	PART NO.			

THIS DRAWING IS A CONTROLLED DOCUMENT. DWN S. SHUEY 05MAR91
 CHK J. GESFORD 05MAR91

DIMENSIONS: mm [INCHES] TOLERANCES UNLESS OTHERWISE SPECIFIED:
 0 PLC ± -
 1 PLC ± -
 2 PLC ± 0.13[.005]
 3 PLC ± -
 4 PLC ± -
 ANGLES ± -

MATERIAL - FINISH SEE TABLE

PRODUCT SPEC: 108-25034
 APPLICATION SPEC: 114-25026

NAME: HDR ASSY, RTANG, SINGLE ROW
 2.54[.100] C/L 0.641[.025] SQ. POST.
 WITH PLZN & HOLD DOWNS, AMPMODU MTE

SIZE: A1 CAGE CODE: 00779 DRAWING NO: 103673
 WEIGHT: -

CUSTOMER DRAWING SCALE: 4:1 SHEET 2 OF 2 REV T3

STE TE Connectivity