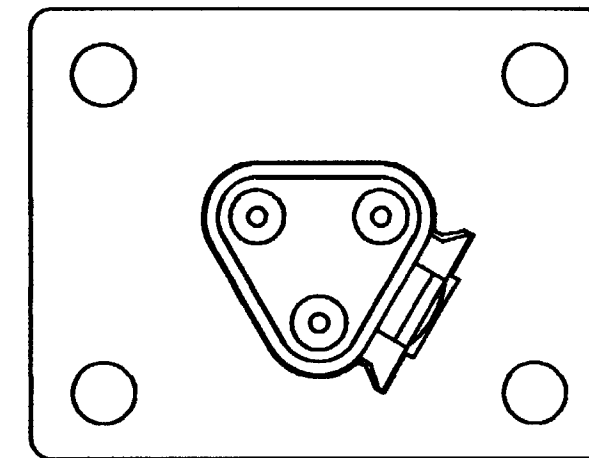
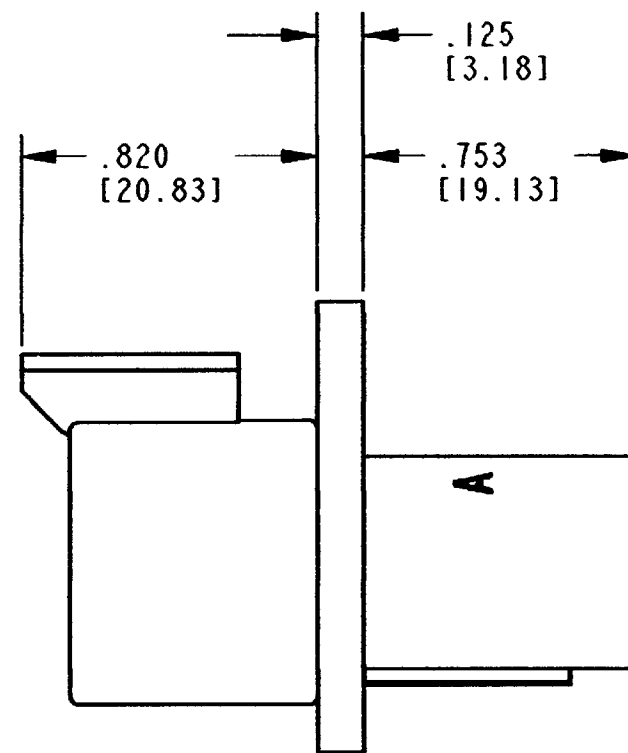
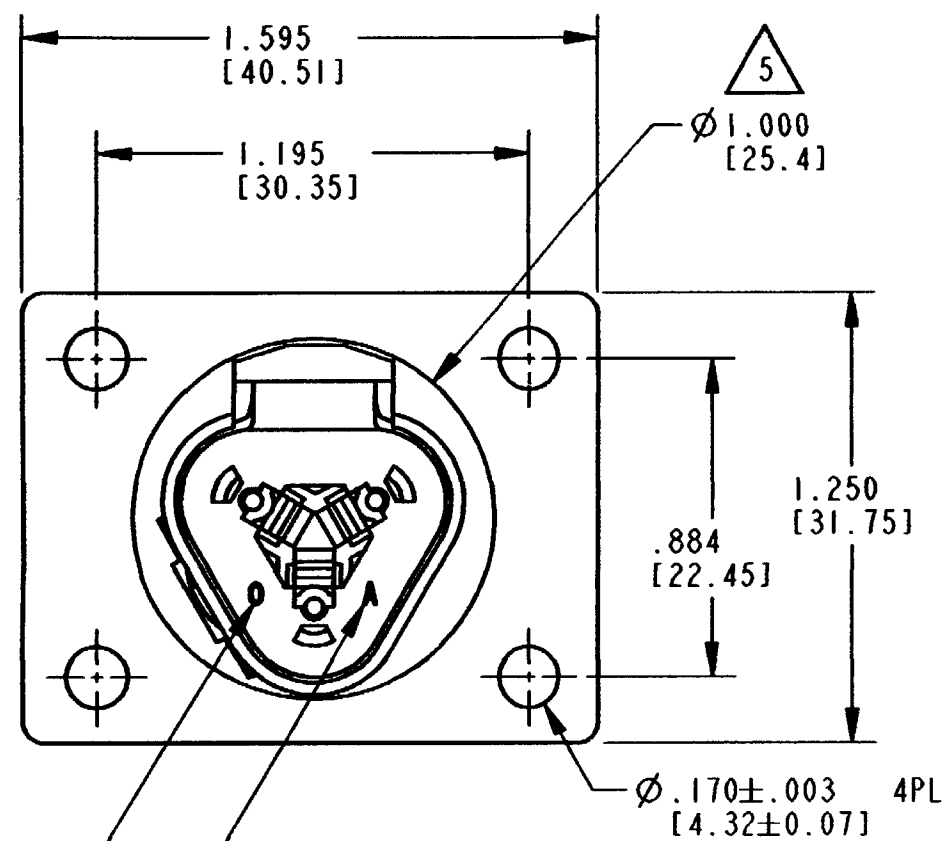


| CONTACT SIZE | MIN. INSUL. O.D. | MAX. INSUL. O.D. | WIRE RANGE [mm <sup>2</sup> ] REF <sup>3</sup> |
|--------------|------------------|------------------|--|
| 16           | .088 [2.24]      | .145 [3.68]      | 14-20 AWG [2.0-0.5]                            |

REV B DT04-3P-L012

| REVISIONS |                             |         |          |
|-----------|-----------------------------|---------|----------|
| SYM       | DESCRIPTION                 | DATE    | APPROVED |
| NC        | NEW RELEASE PER E.O. A14887 | 8/18/95 | R.D.R.   |
| A         | REVISED PER E.O. P18489     | 4/20/04 | R.D.R.   |
| B         | REVISED PER E.O. P19497     | 4-13-07 | RDR      |



DATE CODE: SEQUENTIAL ALPHA CHARACTERS REPRESENT MONTH (EX: A= JANUARY).  
 DATE CODE: YEAR REPRESENTED BY LAST NUMERICAL DIGIT (EX: 0= 2000).

- <sup>5</sup> OUTLINE SHOWN FOR PANEL CUT OUT.
4. THIS RECEPTACLE MATES WITH DT06-3S-\*\*\*\* PLUG (\*\*\*\* = ALL MODIFICATIONS). CONSULT FACTORY FOR MODIFICATIONS.
- <sup>3</sup> FOR CONTACTS AND WIRE PERFORMANCE AND APPLICATION CHARACTERISTICS SEE ENVELOPE DRAWING 0425-015-0000 AND 0425-017-0000.
2. DIMENSIONS ARE ±.025 [0.63] UNLESS OTHERWISE SPECIFIED.
1. DIMENSIONS ARE IN INCHES [MILLIMETERS].
- NOTES:

| SIGNATURE & DATE |                    |
|------------------|--------------------|
| DR               | X. SANCHEZ 18FEB04 |
| CHK              | R. M... 1/10/07    |
| PE               | R. M... 3/26/07    |
| APPD             | S. ... 3-21-07     |
| SCALE            | NONE WT            |

3 WAY RECEPTACLE  
 FLANGE MOUNT  
 -L012 MOD.  
 DT SERIES

ENVELOPE

| EP   | MATL. CODE              |
|--|-------------------------|
| The Deutsch Company<br>DEUTSCH I.P.D.<br>3850 INDUSTRIAL AVE.<br>HEMET, CALIF. 92545 |                         |
| B  | DT04-3P-L012            |
| DWG SIZE   | CODE 11139 SHEET 1 OF 1 |