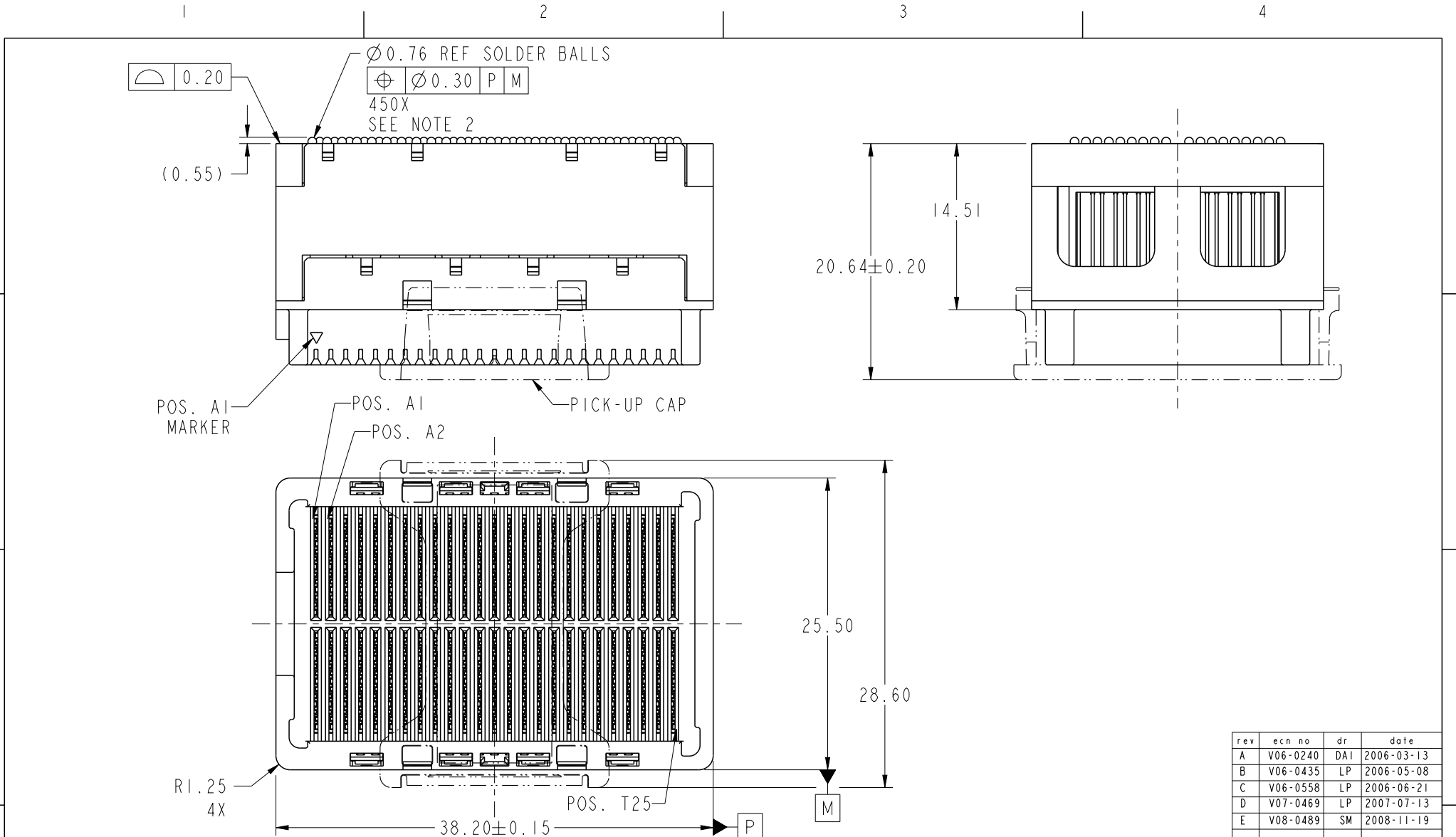




Copyright FCI.



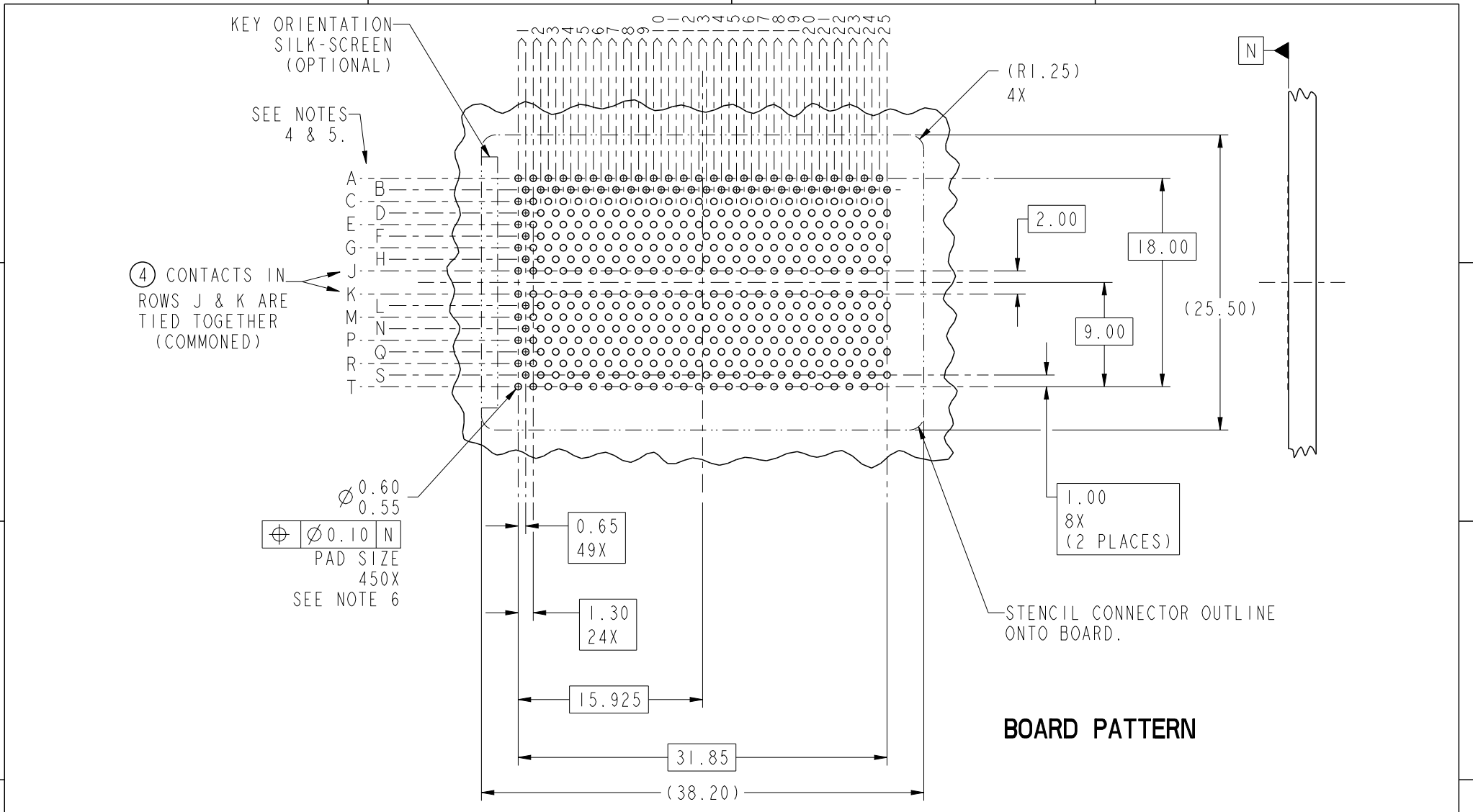
rev	ecn no	dr	date
A	V06-0240	DAI	2006-03-13
B	V06-0435	LP	2006-05-08
C	V06-0558	LP	2006-06-21
D	V07-0469	LP	2007-07-13
E	V08-0489	SM	2008-11-19

spec ref	-	dr	Bill Lin	2010/02/02	projection	mm	size	A4	scale	21:10
tolerance std	ASME Y14.5	eng	Nickor Zuo	2011/06/09			ecn no	ELX-DG-003943-1		
		chr	Alex Cao	2011/06/24			product family	GIG-Array		rel level
surface	✓	appr	Pei-Ming Zheng	2011/06/27			title	GIG-Array		rev
							15mm RECP. ASSY. 200 SIG. POS.	dwg no	55741	F
					cat. no.	Product - Customer Drw	sheet 1 of 5			

ProjE File - REV C - 2009-06-09



Copyright FCI.

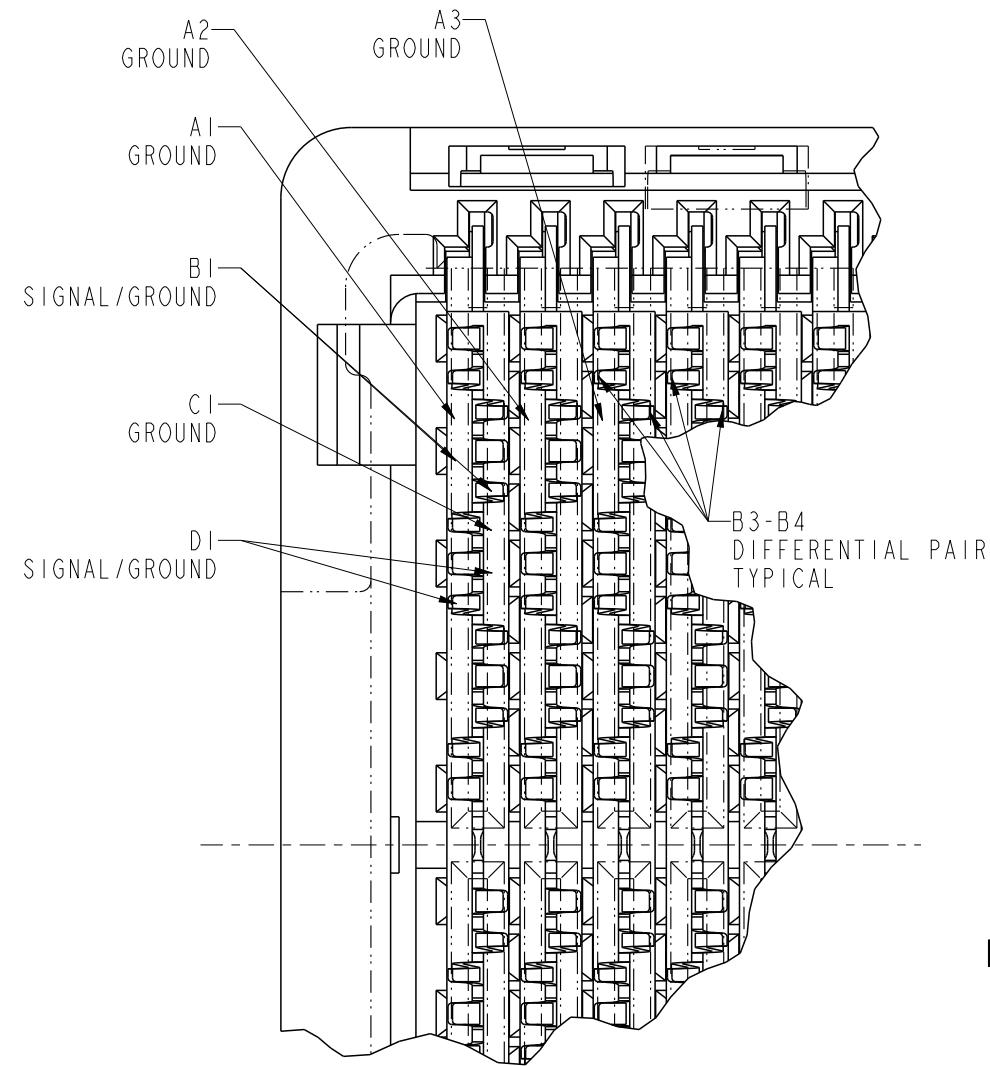


spec ref	-	dr	Bill Lin	2010/02/02	projection	mm	size	A4	scale	21:10										
tolerance std	ASME Y14.5	eng	Nickor Zuo	2011/06/09			ecn no		ELX-DG-003943-1											
TOLERANCES UNLESS OTHERWISE SPECIFIED		chr	Alex Cao	2011/06/24			rel level		Released											
surface	<table border="1"> <tr><td>linear</td><td>0.X</td><td>±0.30</td></tr> <tr><td></td><td>0.XX</td><td>±0.10</td></tr> <tr><td></td><td>0.XXX</td><td>±0.05</td></tr> <tr><td>angular</td><td>0°</td><td>±2°</td></tr> </table>	linear	0.X	±0.30				0.XX	±0.10		0.XXX	±0.05	angular	0°	±2°	appr	Pei-Ming Zheng	2011/06/27	product family	
linear	0.X	±0.30																		
	0.XX	±0.10																		
	0.XXX	±0.05																		
angular	0°	±2°																		
					title		GIG-Array		rev											
		www.fci.com			part no.		15mm RECP. ASSY. 200 SIG. POS.		55741											
					Product - Customer Drw		sheet 2 of 5		F											

PrdE File - REV C - 2009-06-09



Copyright FCI.

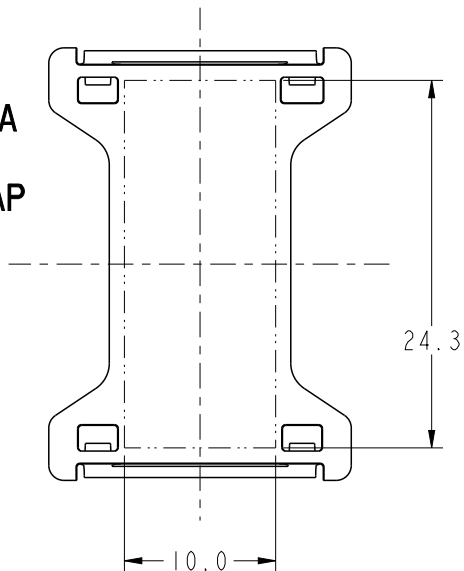


### RECEPTACLE INTERFACE DESCRIPTION

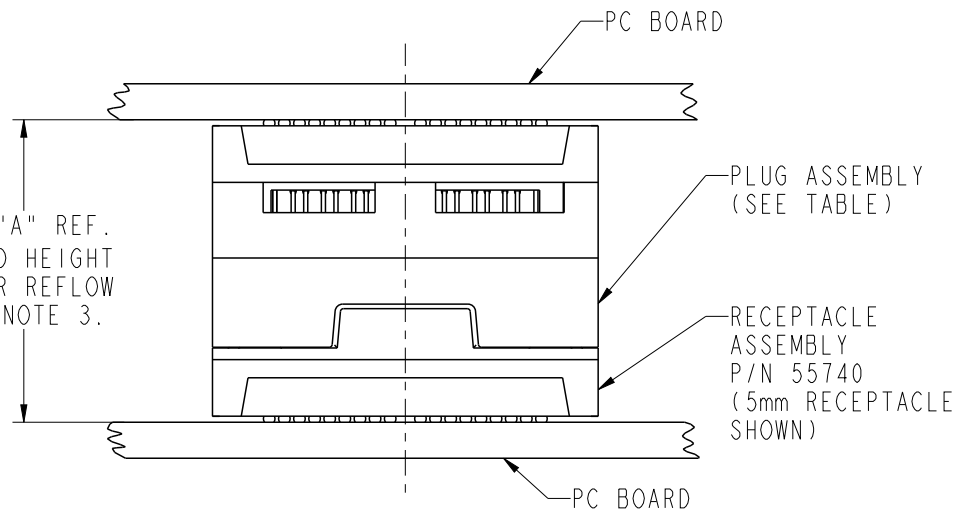
spec ref		-		dr	Bill Lin	2010/02/02	projection 	mm 	size	A4	scale	21:10
tolerance std	TOLERANCES UNLESS OTHERWISE SPECIFIED			eng	Nickor Zuo	2011/06/09			ecn no	ELX-DG-003943-1		
				chr	Alex Cao	2011/06/24				product family	GIG-Array	
ASME Y14.5	-			appr	Pei-Ming Zheng	2011/06/27	rev		F			
surface	linear	0.X	±0.30	 <a href="http://www.fci.com">www.fci.com</a>	title		GIG-Array 15mm RECP. ASSY. 200 SIG. POS.	dwg no 55741	sheet 3 of 5			
-		0.XX	±0.10		cat. no.	Product - Customer Drw						
-	angular	0°	±2°		Product - Customer Drw							

PreE File - REV C - 2009-06-09

FLAT AREA  
FOR  
PICK-UP CAP  
SCALE 2:1



DIM "A" REF.  
MATED HEIGHT  
AFTER REFLOW  
SEE NOTE 3.



END VIEW OF MATED CONNECTORS  
SCALE 2:1

DIM. "A"	PLUG ASSEMBLY P/N
25	55737
27	10026802
28	10055142
30	55738
35	55739
40	10054783



Copyright FCI.

spec ref		-		dr	Bill Lin	2010/02/02	projection 	mm 	size	A4	scale	1:10					
tolerance std	ASME Y14.5	TOLERANCES UNLESS OTHERWISE SPECIFIED				eng			Nickor Zuo	2011/06/09	ecn no	ELX-DG-003943-1					
						chr			Alex Cao	2011/06/24		product family	GIG-Array		rel level	Released	
surface	✓	linear	0.X	±0.30	FCI 	title			GIG-Array		dwg no		55741		rev	F	
			0.XX	±0.10			www.fci.com	cat. no.				Product - Customer Drw			sheet 4 of 5		
			0.XXX	±0.05													
		angular	0°	±2°													

PRODUCT NUMBER	SOLDER BALL COMPOSITION	CONTACT PLATING PERFORMANCE LEVEL
55741-001	STANDARD (EUTECTIC)	PERFORMANCE-BASED PLATING, QUALIFIED TO MEET THE REQUIREMENTS OF FCI PRODUCT SPECIFICATION GS-12-192, INCLUDING TELCORDIA CENTRAL OFFICE
55741-001LF	LEADFREE	
55741-201	STANDARD (EUTECTIC)	Au over Ni
55741-201LF	LEADFREE	

NOTES:

- ①. MATERIAL:  
HOUSING: LCP  
CONTACT: COPPER ALLOY  
PLATING (CONTACT): Au OVER Ni.  
UL RATING: 94 V-0  
SOLDER BALL: (SEE TABLE) EUTECTIC SnPb OR LEAD FREE 95.5 Sn/4Ag/0.5Cu.
- ②. SOLDER BALLS WILL NOT BE PERFECT SPHERICAL SHAPE DUE TO REFLOW ATTACHMENT.
- ③. MATED HEIGHT EFFECTED BY CUSTOMERS' PCB PAD SIZE, PLATING, SOLDER REFLOW PROFILE & SOLDER PASTE.
- ④. CONTACTS IN ROWS A,C,E,G,J,K,M,P,R AND T ARE SINGLE BEAM CONTACTS, USED AS GROUND PINS.  
(NOTE: CONTACTS IN ROWS J & K ARE TIED TOGETHER [COMMONED])
- ⑤. CONTACTS IN ROWS B,D,F,H,L,N,Q AND S ARE DUAL BEAM CONTACTS, TYPICALLY USED AS SIGNAL PINS.

NOTES:

- ⑥. SPECIFIED POSITIONAL TOLERANCE DEFINES PAD TO PAD LOCATION WITHIN LAND PATTERN. POSITIONAL TOLERANCE OF LAND PATTERN TO FUDICIAL MARKS OR PCB DATUMS SHALL BE DEFINED BY CUSTOMER. FOR RECOMMENDED PRODUCT APPLICATION AND PCB DESIGN DETAILS, SEE DOC. NO. GS-20-016.
- ⑦. FOR PROPER APPLICATION FOLLOW FCI APPLICATION SPECIFICATION GS-20-033. LEAD FREE SOLDER BALLS WILL NOT SOLDER PROPERLY IN A LEADED SOLDER PROCESS DUE TO A HIGHER REFLOW TEMPERATURE. LEADFREE PRODUCT IS THEREFORE NOT BACKWARDS COMPATIBLE WITH LEADED OR SOME SOLDERING APPLICATIONS. REFERENCE FCI APPLICATION SPECIFICATION.
- ⑧. THIS PRODUCT MEETS THE EUROPEAN UNION DIRECTIVES AND OTHER COUNTRY REGULATIONS AS DESCRIBED IN GS-22-008. PRODUCT MEETING THIS DIRECTIVE IS IDENTIFIED IN THE CODE NUMBER MARKED ON EACH PART BY HAVING AN "X" IN THE SEVENTH CHARACTER POSITION.



Copyright FCI.

spec ref	-	dr	Bill Lin	2010/02/02	projection		size	A4	scale	21:10			
tolerance std	TOLERANCES UNLESS OTHERWISE SPECIFIED	eng	Nickor Zuo	2011/06/09		mm	ecn no	ELX-DG-003943-1					
ASME Y14.5		chr	Alex Cao	2011/06/24				product family	GIG-Array	rel level	Released		
-		appr	Pei-Ming Zheng	2011/06/27							surface	linear	0.X
surface	linear	0.XX	±0.10	title	GIG-Array	dwg no	55741	rev	F				
		0.XXX	±0.05							15mm RECP. ASSY. 200 SIG. POS.			
-	angular	0°	±2°	Product - Customer Drw									