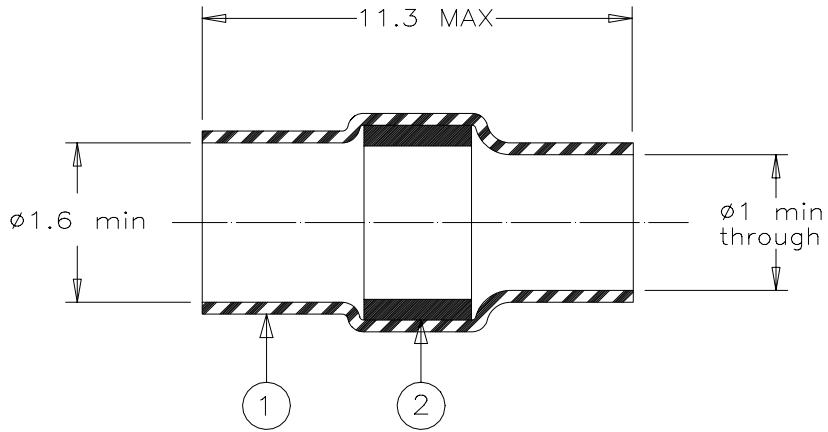


## SPECIFICATION CONTROL DRAWING



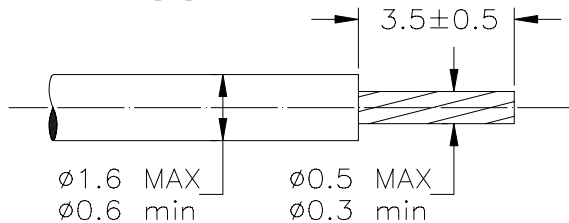
### MATERIAL

1. INSULATION SLEEVE: Heat-shrinkable, radiation cross-linked modified polyvinylidene fluoride. Transparent blue.
2. SOLDER PREFORM WITH FLUX:  
 SOLDER: TYPE Pb36 per ANSI J-STD-006.  
 FLUX: TYPE ROL1 per ANSI J-STD-004.

### APPLICATION

1. This controlled soldering device is designed for termination of a tin or silver plated copper stranded wire (AWG26 to AWG30) having an insulation rated for at least +125°C, on to a pin (□ 0.5).
2. Temperature range: -55°C to +150°C.
3. For application tooling, consult your local RAYCHEM technical service.

For best results, prepare the cable as shown:



\*A trademark of Raychem Corporation.

|   |   |   |   |                                       |            |                     |  |
|---|---|---|---|---------------------------------------|------------|---------------------|--|
| <b>Raychem</b>  |   | <b>THERMOFIT<br/>DEVICES</b>  | Raychem Corporation<br>300 Constitution Drive<br>Menlo Park, CA 94025 USA | TITLE:<br><b>SOLDERSLEEVE* DEVICE</b> |            |                     |  |
| UNLESS OTHERWISE SPECIFIED DIMENSIONS ARE IN MILLIMETERS. |   |   |   | DOCUMENT NO.: <b>W-040-01</b>         |            |                     |  |
| TOLERANCES:<br>0.00 N/A<br>0.0 N/A<br>0 N/A               | ANGLES: N/A<br><br>ROUGHNESS IN<br>MICRON | Raychem reserves the right to amend this drawing at any time. Users should evaluate the suitability of the product for their application. |   | DCR NUMBER:<br>D981082                |            | REPLACES:<br>W04001 |  |
| DRAWN BY:<br>R. MAPALO                                    | DATE:<br>06-29-98                         | REV.:<br>D  | DOC ISSUE:<br>1   | SCALE:<br>NONE                        | SIZE:<br>A | SHEET:<br>1 of 1    |  |

If this document is printed it becomes uncontrolled. Check for the latest revision