

SPECIFICATIONS:

ELECTRICAL:

INSULATOR RESISTANCE: 5 GOHMS Min.
 DIELECTRIC WITHSTANDING: 1,000VAC r.m.s.
 OPERATING TEMPERATURE: -55° C ~ +125° C
 SIGNAL CONTACT RESISTANCE: 10 Milliohms Max.
 COAXIAL CONTACT RESISTANCE: 2.7 Milliohms Max.
 COAXIAL IMPEDANCE: 50 OHM
 SIGNAL CURRENT RATING: 5 AMPS

MECHANICAL:

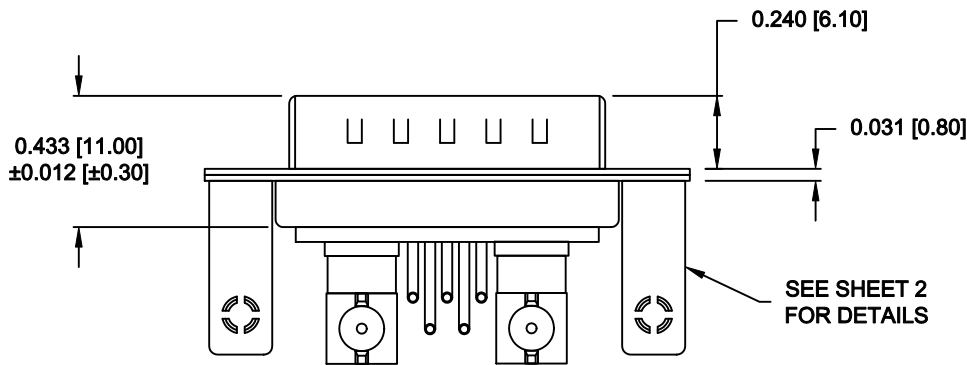
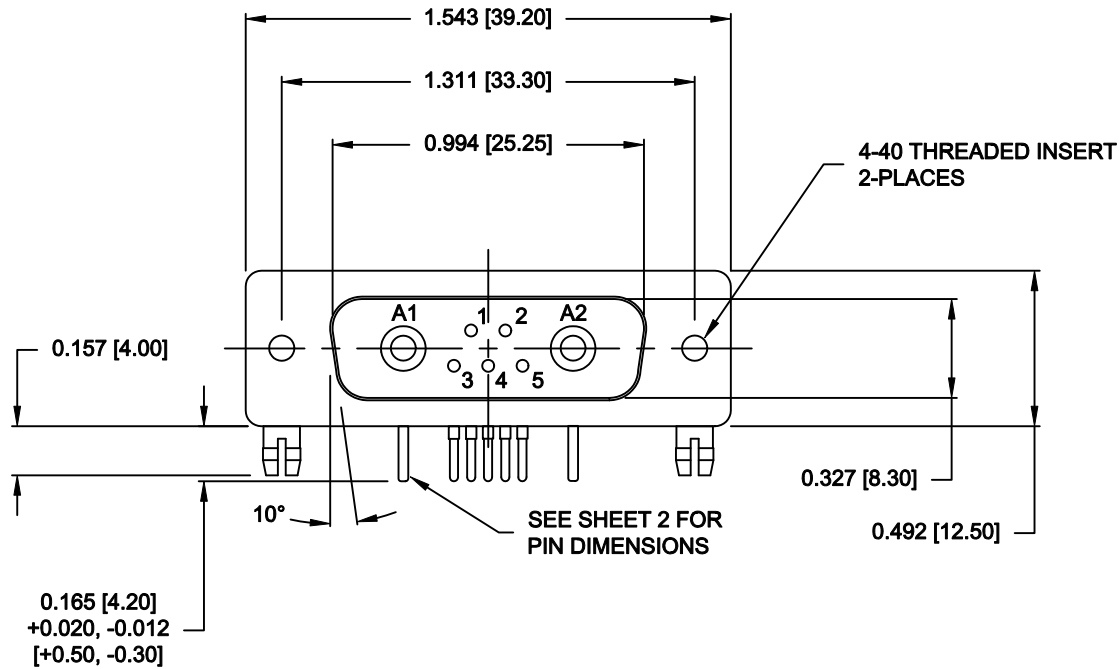
CONTACT INSERTION FORCE: 4.5 Kg Max.
 CONTACT SEPARATOR FORCE: 0.3Kg Min.

MATERIALS:

CONTACTS: COPPER ALLOY
 INSULATOR: PBT UL94V-0 RATED, BLACK
 230°C PROCESS TEMP.
 SHELL: STEEL

FINISH:


SHELL: NICKEL
 CONTACTS: FULL GOLD FLASH



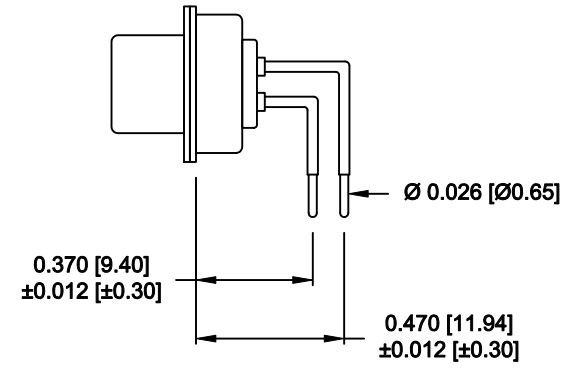
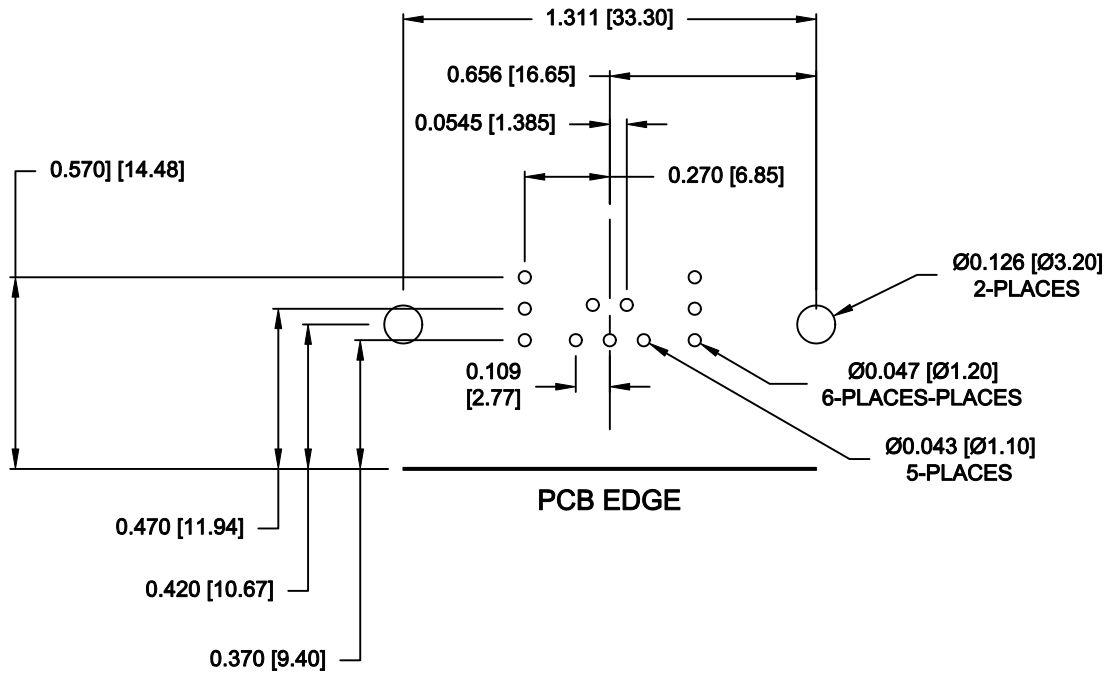
685M7W2103L461

46 = 4-40 INSERTS / BOARD LOCKS

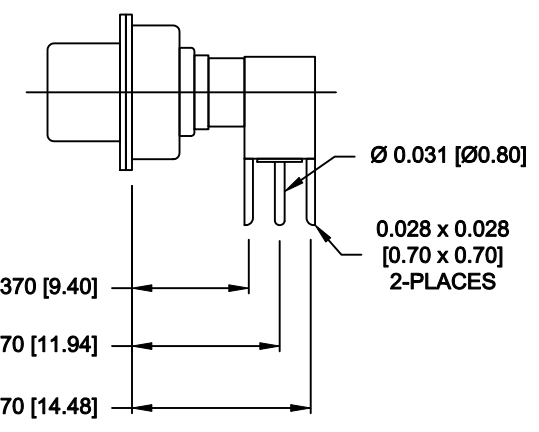
RoHS COMPLIANT

| | | | | |
|--|---|-------------------------------|----------------------------|-----------------------|
|  | THESE DRAWINGS AND SPECIFICATIONS ARE THE PROPERTY OF NorComp AND SHALL NOT BE REPRODUCED, COPIED OR USED AS THE BASIS FOR THE MANUFACTURE OR SALE OF APPARATUS WITHOUT WRITTEN PERMISSION. | | DRAWN: M. SIGMON | DATE: 03-03-15 |
| | | | CHECKED: | DATE: |
| <h1>NorComp</h1> | | SCALE: 1.5 = 1 | SHEET 1 OF 2 | REV 0 |
| | | DWG NO. 685M7W2103L461 | | |

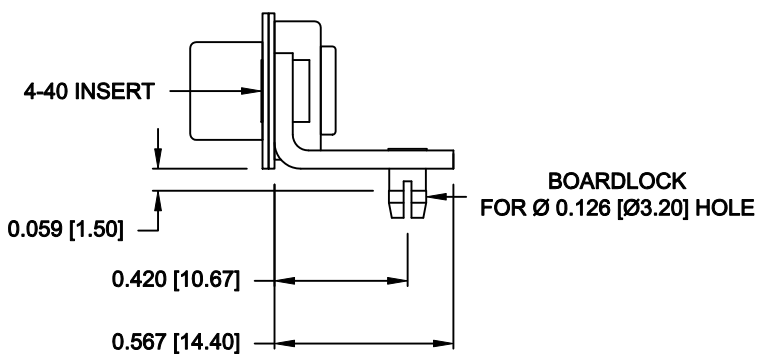
**NOTE:
POWER CONTACTS COME
PRE-LOADED INTO INSULATORS**



SIGNAL CONTACTS



50 OHM COAXIAL CONTACT



MOUNTING HARDWARE

RoHS COMPLIANT

| | | | | |
|----------------|---|-------------------------------|----------------------------|--------------------------|
| | THESE DRAWINGS AND SPECIFICATIONS ARE THE PROPERTY OF NorComp AND SHALL NOT BE REPRODUCED, COPIED OR USED AS THE BASIS FOR THE MANUFACTURE OR SALE OF APPARATUS WITHOUT WRITTEN PERMISSION. | | DRAWN: M. SIGMON | DATE: 03-03-15 |
| | | | CHECKED: | DATE: |
| NorComp | | SCALE: 1.5 = 1 | SHEET 2 | OF 2 |
| | | DWG NO. 685M7W2103L461 | | |