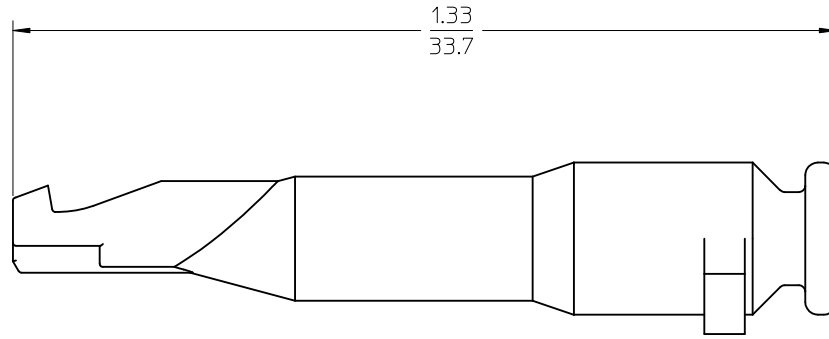
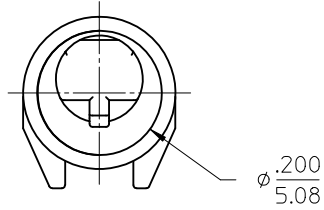
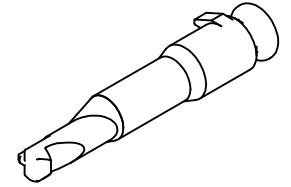


SPRUE ASSY  
194310054



SINGLE PART  
SCALE 5:1

NOTES:

1. GENERIC MATERIAL NAME: POLYBUTYLENE TEREPHTALATE  
MATERIAL ABBREVIATION: PBT  
COLOR: NATURAL  
GLASS FILLED, UL94 V-0
2. PART IS DESIGNED TO BE USED ON 19432 SERIES RECEPACLE ASSEMBLIES.
3. PART IS PACKAGED 60 STRIPS OF 10 IN A 96707-0023 CARTON.
4. MATERIAL IS ROHS COMPLIANT.

RELEASE EC NO: WNA2010-0203 DRAWN BY: WLEUNG CHKD: DTITUS APPR: DTITUS DATE: 2009/10/05 DATE: 2009/10/05 DATE: 2010/05/10	QUALITY SYMBOLS ▽=0 ▽7=0	GENERAL TOLERANCES (UNLESS SPECIFIED)		DIMENSION STYLE IN/MM		SCALE 2:1	DESIGN UNITS INCH	THIRD ANGLE PROJECTION	
		4 PLACES ± --- ± --- 3 PLACES ± --- ± .010 2 PLACES ± 0.26 ± .02 1 PLACE ± 0.5 ± ---	mm INCH	DRAWN BY WLEUNG	DATE 2009/10/05	TITLE MX 150L CIRCUIT PLUG W-T-B, 12-10-8AWG			
		ANGULAR ± 1 °	CHECKED BY DTITUS	DATE 2009/10/05					
		DRAFT WHERE APPLICABLE MUST REMAIN WITHIN DIMENSIONS	MATERIAL NO. 194310054	APPROVED BY DTITUS	DATE 2010/05/07	MOLEX INCORPORATED		DOCUMENT NO. SD-19431-054	SHEET NO. 1 OF 1
SIZE B	THIS DRAWING CONTAINS INFORMATION THAT IS PROPRIETARY TO MOLEX INCORPORATED AND SHOULD NOT BE USED WITHOUT WRITTEN PERMISSION								