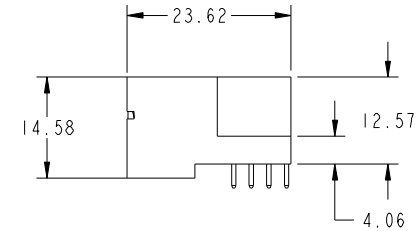
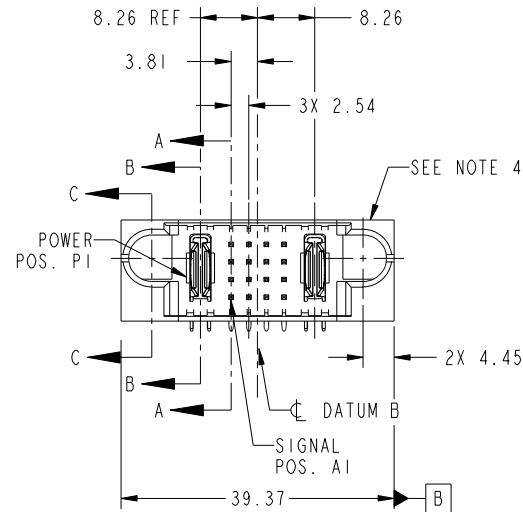


Tous droits strictement reserves. Reproduction ou communication a des tiers interdite sous quelque forme que ce soit sans autorisation écrite du propriétaire. Propriete de c FCI. Droits de reproduction FCI.

All rights strictly reserved. Reproduction or issue to third parties in any form whatever is not permitted without written authority from the proprietor. Property of FCI. Copyright FCI.



PRODUCT NO.	ROWS	POWERS		IGNAL				POWER	
		E1	P1	1	2	3	4	P2	E2
51730-157-- NOTE 3	D C B A								



CODE	DIM "M" MATING LENGTH	CONTACT TYPE
U	[6.86]	SIGNAL
T	[6.86]	SIGNAL
R	[6.86]	SIGNAL
S	[6.86]	SIGNAL
PA	[N/A]	POWER
F	[5.59]	SIGNAL

mat'l code				SEE NOTE	tolerances unless otherwise specified		CUSTOMER				
ltr	ecn no.	dr	date	linear	0.X ± 0.5	projection	COPY	www.fciconnect.com			
A	DG08-0358	JW	12/09/08	angles	0.XX ± 0.25				title	IP + 16S + 1P	
					0.XXX ± 0.1					RIGHT ANGLE SOLDER HEADER	
				dr	0° + 2°		scale	product family	PwrBlade	code	
				enr	JULIA WANG 3/11/05			size	A	213	
				chr	JEROME CHEN 3/11/05			dwg no	51730-157	sheet	
				appd	GARY HSIEH 3/11/05			1 of 4			
sheet index	revision sheet	A 1	A 2	A 3	A 4			cage code	22526		

Pro/E

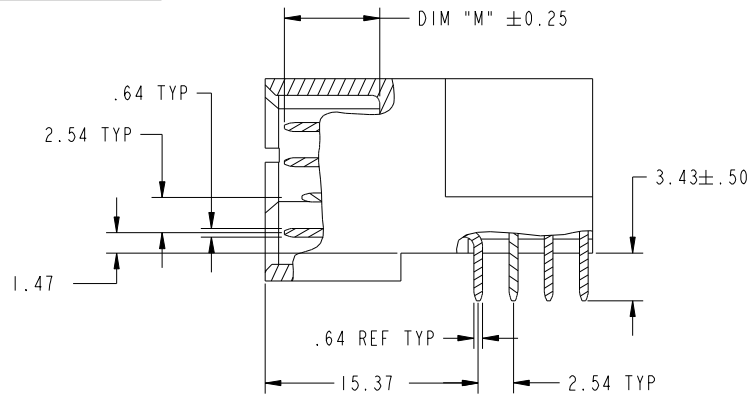
cage code 22526

Tous droits strictement reserves. Reproduction ou communication a des tiers interdite sous quelque forme que ce soit sans autorisation écrite du propriétaire. Propriete de c FCI. Droits de reproduction FCI.

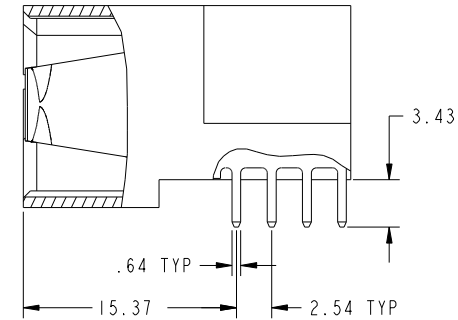
All rights strictly reserved. Reproduction or issue to third parties in any form whatever is not permitted without written authority from the proprietor. Property of FCI. Copyright FCI.



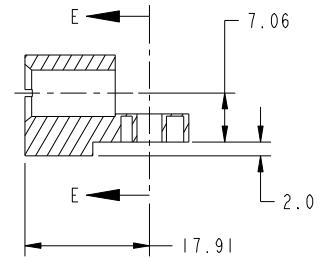
PRODUCT NUMBER  
51730-157\_  
NOTE: 3



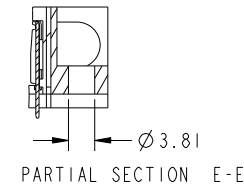
BROKEN-OUT SECTION A-A  
SCALE 2:1



BROKEN-OUT SECTION B-B  
SCALE 2:1



SECTION C-C



PARTIAL SECTION E-E

mat'l code		SEE NOTE		tolerances unless otherwise specified		CUSTOMER		 www.fciconnect.com	
ltr	ecn no.	dr	date	linear	0.X ±0.5	COPY		title	
A					0.XX ±0.25	projection		IP + 16S + 1P RIGHT ANGLE SOLDER HEADER	
				angles	0.XXX ±0.1			product family	
		dr	JULIA WANG	3/11/05	0° ±2°	MIM		PwrBlade	
		enr	JEROME CHEN	3/11/05				code	
		chr	GARY HSIEH	3/11/05		scale		213	
		appd	JOSEPH HSIA	3/11/05		1:1		sheet	
sheet index		revision sheet				A		51730-157	
								2 of 4	

cage code 22526

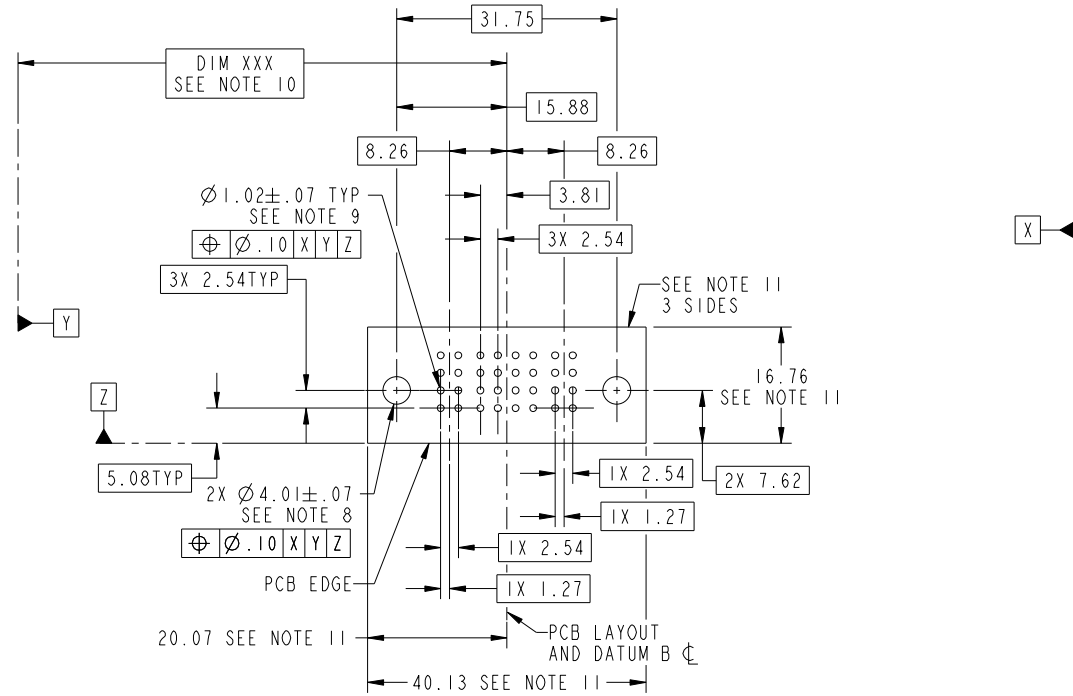
Pro/E

Tous droits strictement reserves. Reproduction ou communication a des tiers interdite sous quelque forme que ce soit sans autorisation écrite du propriétaire. Propriete de c FCI. Droits de reproduction FCI.



All rights strictly reserved. Reproduction or issue to third parties in any form whatever is not permitted without written authority from the proprietor. Property of FCI. Copyright FCI.

PRODUCT NUMBER  
51730-157\_  
NOTE: 3



RECOMMENDED PCB LAYOUT

mat'l code		SEE NOTE		tolerances unless otherwise specified		CUSTOMER		 www.fciconnect.com	
ltr	ecn no.	dr	date	linear	0.X ± 0.5	COPY		title	
A					0.XX ± 0.25	projection		IP + 16S + 1P RIGHT ANGLE SOLDER HEADER	
				angles	0.XXX ± 0.1			product family	
		dr	JULIA WANG	3/11/05	0° ± 2°	MIM		PwrBlade	
		enr	JEROME CHEN	3/11/05		scale		code	
		chr	GARY HSIEH	3/11/05		1:1		213	
		appd	JOSEPH HSIA	3/11/05		A		sheet	
sheet index		revision sheet						3 of 4	
								51730-157	

cage code 22526

Pro/E

Tous droits strictement reserves. Reproduction ou communication a des tiers interdite sous quelque forme que ce soit sans autorisation écrite du propriétaire. Propriete de c FCI. Droits de reproduction FCI.



All rights strictly reserved. Reproduction or issue to third parties in any form whatever is not permitted without written authority from the proprietor. Property of FCI. Copyright FCI.

PRODUCT NUMBER  
51730-157\_  
NOTE: 3

NOTES:

1. DIMENSIONS AND TOLERANCES ARE IN ACCORDANCE WITH ASME Y14.5M, 1994 UNLESS OTHERWISE SPECIFIED.

CONNECTOR NOTES:

- 2. HOUSING MATERIAL: UL 94 V-0 GLASS FILLED HIGH-TEMP THERMOPLASTIC  
POWER CONTACT MATERIAL: COPPER ALLOY  
SIGNAL PIN MATERIAL: COPPER ALLOY
- 3. PLATING:  
SEE ITEM 1 & 2 IN PRINT 10064183 FOR PLATING SPEC OF 51730-157; 51730-157LF RESPECTIVELY.
- 4. MANUFACTURER'S NAME, P/N, AND DATE CODE TO APPEAR ON THIS SURFACE.
- 5. PRODUCT SPECIFICATION GS-12-149.  
APPLICATION SPECIFICATION BUS-20-067.
- 6. PACKAGED IN TRAYS.

PCB NOTES:

- 7. ALL HOLE DIAMETERS ARE FINISHED HOLE SIZE.
- 8. MOUNTING HOLES, WHERE APPLICABLE, ARE UNPLATED.
- 9.  $\varnothing 1.151 \pm 0.025$  DRILLED HOLES PLATED WITH 0.008 MIN SnPb OR Sn OVER 0.03 TO 0.08 Cu PLATING TO ACHIEVE  $\varnothing 1.02 \pm .07$  HOLE.
- 10. "DIM XXX" TO BE DETERMINED BY THE CUSTOMER.
- 11. CONNECTOR KEEP-OUT ZONE.

mat'l code		SEE NOTE		tolerances unless otherwise specified		CUSTOMER		FCI		www.fciconnect.com		
ltr	ecr no.	dr	date	linear	0.X ± 0.5	COPY				title		
A					0.XX ± 0.25	projection				IP + 16S + 1P		
				angles	0.XXX ± 0.1					RIGHT ANGLE SOLDER HEADER		
				dr	JULIA WANG 3/11/05	scale		product family		PwrBlade	code	
				enr	JEROME CHEN 3/11/05	1:1		size		dwg no	213	
				chr	GARY HSIEH 3/11/05	A		51730-157		sheet	4 of 4	
				appd	JOSEPH HSIA 3/11/05							
sheet index	revision sheet											

cage code 22526

Pro/E