



AirPrime WP7504

Hardware Integration Guide



SIERRA
WIRELESS®

4119157
Rev 1

Important Notice

Due to the nature of wireless communications, transmission and reception of data can never be guaranteed. Data may be delayed, corrupted (i.e., have errors) or be totally lost. Although significant delays or losses of data are rare when wireless devices such as the Sierra Wireless modem are used in a normal manner with a well-constructed network, the Sierra Wireless modem should not be used in situations where failure to transmit or receive data could result in damage of any kind to the user or any other party, including but not limited to personal injury, death, or loss of property. Sierra Wireless accepts no responsibility for damages of any kind resulting from delays or errors in data transmitted or received using the Sierra Wireless modem, or for failure of the Sierra Wireless modem to transmit or receive such data.

Safety and Hazards

Do not operate the Sierra Wireless modem in areas where blasting is in progress, where explosive atmospheres may be present, near medical equipment, near life support equipment, or any equipment which may be susceptible to any form of radio interference. In such areas, the Sierra Wireless modem **MUST BE POWERED OFF**. The Sierra Wireless modem can transmit signals that could interfere with this equipment.

Do not operate the Sierra Wireless modem in any aircraft, whether the aircraft is on the ground or in flight. In aircraft, the Sierra Wireless modem **MUST BE POWERED OFF**. When operating, the Sierra Wireless modem can transmit signals that could interfere with various onboard systems.

Note: Some airlines may permit the use of cellular phones while the aircraft is on the ground and the door is open. Sierra Wireless modems may be used at this time.

The driver or operator of any vehicle should not operate the Sierra Wireless modem while in control of a vehicle. Doing so will detract from the driver or operator's control and operation of that vehicle. In some states and provinces, operating such communications devices while in control of a vehicle is an offence.

Limitation of Liability

The information in this manual is subject to change without notice and does not represent a commitment on the part of Sierra Wireless. SIERRA WIRELESS AND ITS AFFILIATES SPECIFICALLY DISCLAIM LIABILITY FOR ANY AND ALL DIRECT, INDIRECT, SPECIAL, GENERAL, INCIDENTAL, CONSEQUENTIAL, PUNITIVE OR EXEMPLARY DAMAGES INCLUDING, BUT NOT LIMITED TO, LOSS OF PROFITS OR REVENUE OR ANTICIPATED PROFITS OR REVENUE ARISING OUT OF THE USE OR INABILITY TO USE ANY SIERRA WIRELESS PRODUCT, EVEN IF SIERRA WIRELESS AND/OR ITS AFFILIATES HAS BEEN ADVISED OF THE POSSIBILITY OF SUCH DAMAGES OR THEY ARE FORESEEABLE OR FOR CLAIMS BY ANY THIRD PARTY.

Notwithstanding the foregoing, in no event shall Sierra Wireless and/or its affiliates aggregate liability arising under or in connection with the Sierra Wireless product, regardless of the number of events, occurrences, or claims giving rise to liability, be in excess of the price paid by the purchaser for the Sierra Wireless product.

Patents

This product may contain technology developed by or for Sierra Wireless Inc.

This product includes technology licensed from QUALCOMM®.

This product is manufactured or sold by Sierra Wireless Inc. or its affiliates under one or more patents licensed from InterDigital Group and MMP Portfolio Licensing.

Copyright

©2016 Sierra Wireless. All rights reserved.

Trademarks

Sierra Wireless®, AirPrime®, AirVantage®, Skylight™, and the Sierra Wireless and Open AT logos are registered trademarks of Sierra Wireless, Inc. or one of its subsidiaries.

Windows® is a registered trademark of Microsoft Corporation.

QUALCOMM® is a registered trademark of QUALCOMM Incorporated. Used under license.

Other trademarks are the property of their respective owners.

Contact Information

Sales Desk:	Phone:	1-604-232-1488
	Hours:	8:00 AM to 5:00 PM Pacific Time
	Contact:	http://www.sierrawireless.com/sales
Post:	Sierra Wireless 13811 Wireless Way Richmond, BC Canada V6V 3A4	
Technical support:	support@sierrawireless.com	
RMA support:	repairs@sierrawireless.com	
Fax:	1-604-231-1109	
Web:	www.sierrawireless.com	

Consult our website for up-to-date product descriptions, documentation, application notes, firmware upgrades, troubleshooting tips, and press releases:

www.sierrawireless.com

Revision History

Revision number	Release date	Changes
1	April 2016	FCC/IC certification



Contents

1. Introduction	7
Accessories	7
2. Power	9
Power Supply	9
Module Power States	9
3. RF Specifications.	11
Conducted Tx power	12
4. Routing Constraints and Recommendations	13
General Rules and Recommendations	13
PCB Layout Recommendations	13
Power Supply	13
Antenna	14
PCB Specifications for the Application Board	14
Recommended PCB Land Pattern	14
Routing Constraints	14
Power Supply	14
UIM Interface	15
RF Circuit	15
USB Interface	16
Thermal Considerations	16
EMC and ESD Recommendations	16
Mechanical Integration	17
Signal Reference Schematics	18
5. Regulatory Compliance and Industry Certifications	21
Important Notice	21
Safety and Hazards	21

Important Compliance Information for North American Users 22

1: Introduction

1

The AirPrime WP7504 is an industrial-grade LGA 239-pad module that provides voice and data connectivity on LTE, HSPA, WCDMA, and CDMA networks. The module also provides GNSS functionality as a SKU-configuration.

Accessories

A hardware development kit is available for AirPrime WP-series modules. The kit contains hardware components for evaluating and developing with the module, including:

- Development board
- Cables
- Antennas (Additional antennas may be required to support all bands.)
- Other accessories

Power Supply

The host provides power to the AirPrime WP7504 through multiple power and ground pins. The host must provide safe and continuous power at all times; the module does not have an independent power supply, or protection circuits to guard against electrical issues.

For detailed pinout and voltage/current requirements of this module, see the *AirPrime WP75XX Product Technical Specification*.

Module Power States

The module has three main power states, as described in [Table 2-1](#).

Table 2-1: Supported Power States

State	Description	Wake-Up Events
OFF	Module is off (no power to the system). Apply power for system to go to Active state.	Apply power.
Interrupt	Simple wakeup sources are configured to interrupt from this power-saving state to the Active state.	An event generated from a state change of RESET_IN_N or POWER_ON_N, or a timeout event.
Active	The module may be fully functioning (WWAN radio and GNSS radio active), or be operating in airplane mode (WWAN radio off). Module actively reduces power consumption by disabling components that are not in use (for example, stepping down clock signals, putting USB bus into selective suspend, etc.)	System wakes up (returns to fully active mode) automatically as required, or can be woken directly via wakeable GPIOs.

3: RF Specifications

The AirPrime WP7504 operates on the frequency bands listed below.

Table 3-1: LTE Frequency Band Support

Band	Frequency (Tx) (MHz)	Frequency (Rx) (MHz)
B2	1850–1910	1930–1990
B4	1710–1755	2110–2155
B5	824–849	869–894
B12	699–716	729–746
B17	704–716	734–746
B25	1850–1915	1930–1995
B26	814–849	859–894

Table 3-2: WCDMA Frequency Band Support¹

Band	Frequency (Tx) (MHz)	Frequency (Rx) (MHz)
B2	1850–1910	1930–1990
B4	1710–1755	2110–2155
B5	824–849	869–894

1. WCDMA channel spacing is 5 MHz, but this can be adjusted to optimize performance in a particular deployment scenario.

Table 3-3: CDMA/EVDO Frequency Band Support¹

Band	Frequency (Tx) (MHz)	Frequency (Rx) (MHz)
BC0	824–849	869–894
BC1	1850–1910	1930–1990
BC10	816–824	861–869

1. WCDMA channel spacing is 5 MHz, but this can be adjusted to optimize performance in a particular deployment scenario.

Table 3-4: GNSS Frequency Band Support

Band	Frequencies (MHz)
GPS	1575.42 ± 1.023
GLONASS	1597.52–1605.92
Galileo	1575.42 ± 2.046

Conducted Tx power

Table 3-5: Conducted Tx Max Output Power Tolerances — LTE

RF band	Min (dBm)	Typ (dBm)	Max (dBm)	Notes
B2	22	23	24	Connectorized (Class 3)
B4	22	23	24	Connectorized (Class 3)
B5	22	23	24	Connectorized (Class 3)
B12	22	23	24	Connectorized (Class 3)
B17	22	23	24	Connectorized (Class 3)
B25	22	23	24	Connectorized (Class 3)
B26	22	23	24	Connectorized (Class 3)

Table 3-6: Conducted Tx Max Output Power Tolerances — WCDMA

RF band	Min (dBm)	Typ (dBm)	Max (dBm)	Notes
B2	22	23	24	Connectorized (Class 3)
B4	22	23	24	Connectorized (Class 3)
B5	22	23	24	Connectorized (Class 3)

Table 3-7: Conducted Tx Max Output Power Tolerances — CDMA/EVDO

RF band	Min (dBm)	Typ (dBm)	Max (dBm)	Notes
BC0	22	23	24	Connectorized (Class 3)
BC1	22	23	24	Connectorized (Class 3)
BC10	22	23	24	Connectorized (Class 3)

4: Routing Constraints and Recommendations

This section describes general routing constraints and recommendations for the AirPrime WP7504 module.

Note: This is a non-exhaustive list of suggested design guidelines. The developer is responsible for deciding whether to implement these guidelines.

General Rules and Recommendations

Clock and other high-frequency digital signals (e.g. serial buses) should be routed as far as possible from the module's analog signals.

If the application design makes it possible, all analog signals should be separated from digital signals by a ground trace on the PCB.

Tip: *Avoid routing any signals under the module on the application board.*

PCB Layout Recommendations

Ground pads should be re-flowed on to the host PCB with < 30% voiding to allow effective heat dissipation.

Power Supply

When designing the power supply, make sure that VBAT_BB/VBAT_RF meet the requirements listed in the WP75XX Product Technical Specification.

Careful attention should be paid to the following:

- Power supply quality—PFM, or PSM systems should be avoided; Low ripple, linear regulation or PWM converters are preferred for low noise.
- Capacity to deliver high current peaks in a short time (for pulsed radio emission)
- VBAT_BB/VBAT_RF must support peak currents with an acceptable voltage drop that guarantees the minimum required VBAT_BB/VBAT_RF value.
- VBAT_BB/VBAT_RF signal pads must never exceed the maximum required VBAT_BB/VBAT_RF value, otherwise the module's power amplifier and GPS chipset may be severely damaged.
- A weakly-designed (not robust) power supply could affect EMC performance, the emission spectrum, and the phase error and frequency error.

Antenna

Sierra Wireless strongly recommends working with an antenna manufacturer either to develop an antenna adapted to the application, or to adapt an existing solution to the application.

For information on routing constraints for the RF circuit, see [RF Circuit on page 15](#).

PCB Specifications for the Application Board

Sensitive signals (such as audio, UIM, and clocks) should be protected by ground planes/fills. Routing sensitive signals close to noisy signals could result in noise being coupled.

Recommended PCB Land Pattern

Refer to the AirPrime WP8548 Customer Process Guidelines document, available at <http://source.sierrawireless.com>.

Routing Constraints

Power Supply

If the following design recommendations are not followed, phase error (peak) and power loss could occur.

- Since the maximum peak current can reach 2.5 A, Sierra Wireless strongly recommends having a large width for the layout of the power supply signal (to avoid voltage loss between the external power supply and VBAT_BB/ VBAT_RF).

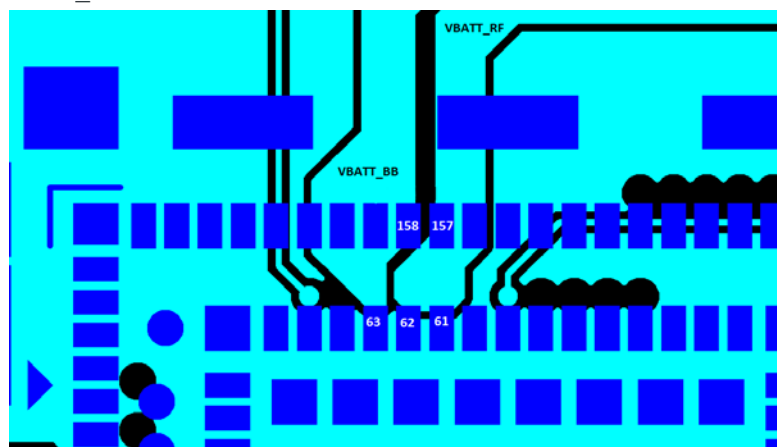


Figure 4-1: Power Supply Routing Example

Note: Figure 4-1 shows separate traces for VBAT_BB and VBAT_RF. If VBAT_BB and VBAT_RF share a single power supply, these traces should be connected.

Note: For optimal decoupling, place the capacitors on the underside of the board, directly under the pins.

- Filtering capacitors (100 nF to 1500 μ F) are recommended near the module's power supply.
- Attention should be paid to the ground trace or the ground plane on the application board for the power supply that supplies the module. The ground trace or ground plane, as well as the VBAT trace, must be able to support current peaks.
- If the ground trace between the module and the power supply is a copper plane, make sure it is a solid plane.
- Design routing to make sure total line impedance does not exceed 10 m Ω @ 217 Hz.

Ground Plane Connection

The AirPrime WP7504 module requires a solid, central ground plane (with solder mask defined pads) located directly under the module. This will:

- Ensure high current signal returns
- Provide heat dissipation under higher operating temperatures

The ground plane should be connected (with vias) to the reference ground layer of the application board.

UIM Interface

- The length of the tracks between the AirPrime WP7504 and the UIM socket should be as short as possible. Maximum recommended length is 10cm.
- ESD protection is mandatory on the UIM lines unless there is no physical access to the UIM.
- The decoupling capacitor(s) should be placed as close as possible to the UIM card connector for the UIM1_VCC signal.

RF Circuit

The RF signal must be routed on the application board using tracks with a 50 Ω characteristic impedance.

The characteristic impedance depends on the dielectric, the track width and the ground plane spacing.

It is recommended to use stripline design if the RF path is fairly long (more than 3cm), since microstrip design is not shielded. Consequently, the RF (transmit) signal may interfere with neighboring electronic circuits. In the same way, the neighboring electronics (micro-controllers, etc.) may interfere with the RF (receive) signal and degrade the reception performance.

USB Interface

When the USB interface is externally accessible, ESD protection is required on the USB_VBUS, USB_D+, and USB_D- signals.

Thermal Considerations

When transmitting, the AirPrime WP7504 can generate significant amounts of heat (due to the internal Power Amplifier) that must be dissipated in the host device for safety and performance reasons.

The amount of thermal dissipation required depends on the following factors:

- Supply voltage—Maximum power dissipation for these modules can be up to 3 W at voltage supply limits.
- Usage—Typical power dissipation values depend on the location within the host, amount of data transferred, etc.

To enhance heat dissipation:

- Maximize airflow over / around the module
- Locate the module away from other components that generate heat
- Ensure the module is connected to a solid ground plane

EMC and ESD Recommendations

EMC tests must be performed on the application as soon as possible to detect any potential problems.

When designing, special attention should be paid to:

- Possible spurious emissions radiated by the application to the RF receiver in the receiver band
- ESD protection—Typically, ESD protection is mandatory for externally accessible signals, including:
 - VBAT_RF/VBAT_BB
 - UIM (if accessible from outside)
 - Serial link
 - USB
 - Antennas
- Length of the UIM interface lines (preferably <10 cm)
- Length of the HSIC interface lines (<10 cm, as required by the HSIC specification)
- EMC protection on audio input/output (filters against 900 MHz emissions)
- Ground plane: Sierra Wireless recommends a common ground plane for analog/digital/RF grounds

Note: The AirPrime WP7504 does not include any protection against over-voltage.

The host device must provide adequate ESD protection on digital circuits and antenna ports as detailed in the following table.

Note: The level of protection required depends on your application.

Table 4-1: ESD specifications ^{1,2}

Category	Connection	Specification
Operational	RF ports UIM connector USB connector UART connector	IEC-61000-4-2 - Level (Electrostatic Discharge Immunity Test) <ul style="list-style-type: none"> • ± 6kV Contact • ± 8kV Air
Non-operational	Host connector interface	Unless otherwise specified: <ul style="list-style-type: none"> • JESD22-A114 ± 2kV Human Body Model • JESD22-A115 ± 200V Machine Model • JESD22-C101C ± 500V Charged Device Model

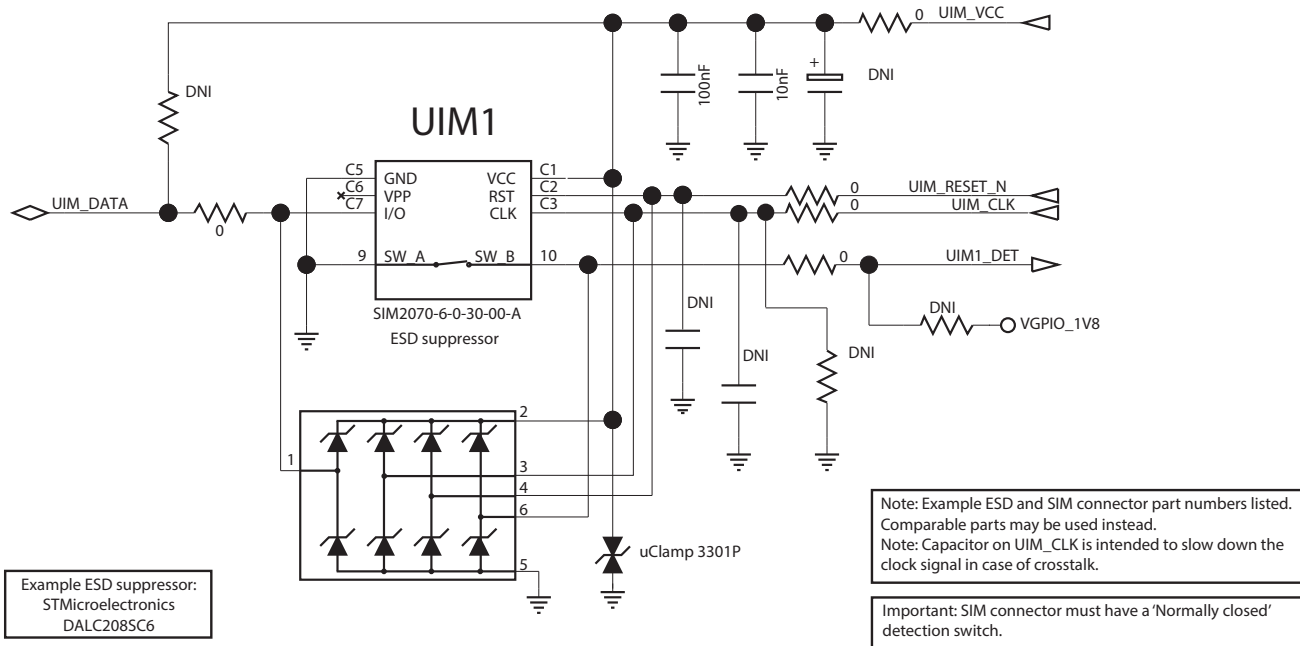
1. ESD specifications are preliminary, subject to change.
2. ESD protection is highly recommended at the point where the UIM contacts are exposed, and for any other signals that would be subjected to ESD by the user.

Mechanical Integration

Attention should be paid to:

- Antenna cable integration (bending, length, position, etc)
- Pads of the AirPrime WP7504 to be soldered to the ground plane
- Ensuring proper board layout
- Providing sufficient space around the module for heat dissipation

Signal Reference Schematics



Example ESD suppressor:
 STMicroelectronics
 DALC2085C6

Figure 4-2: UIM Interface

USB Interface

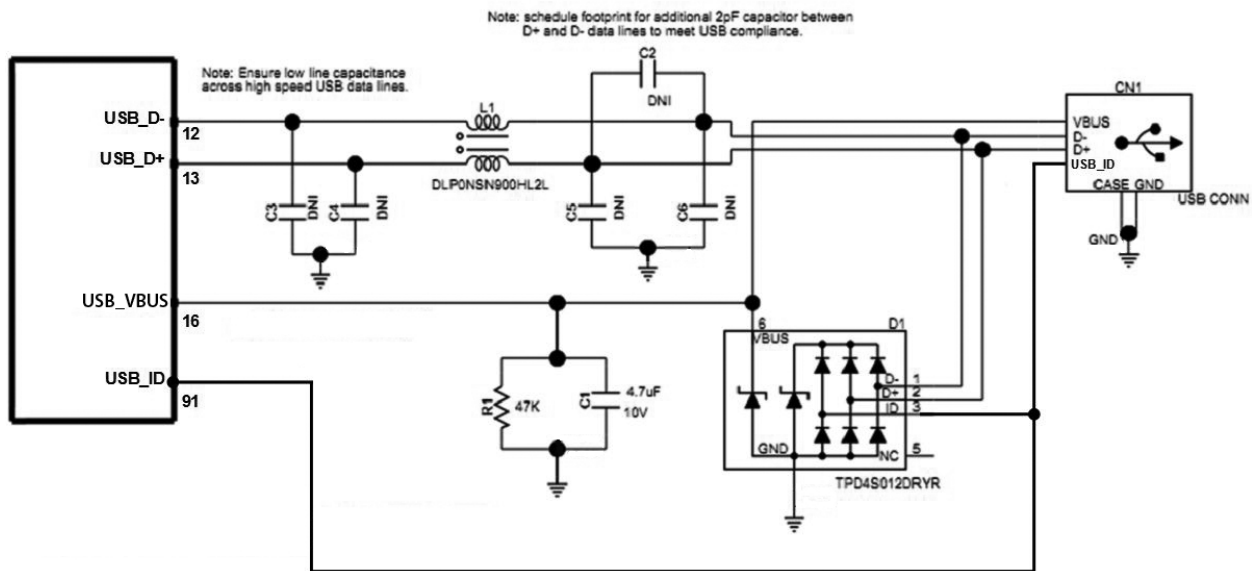


Figure 4-3: USB Interface

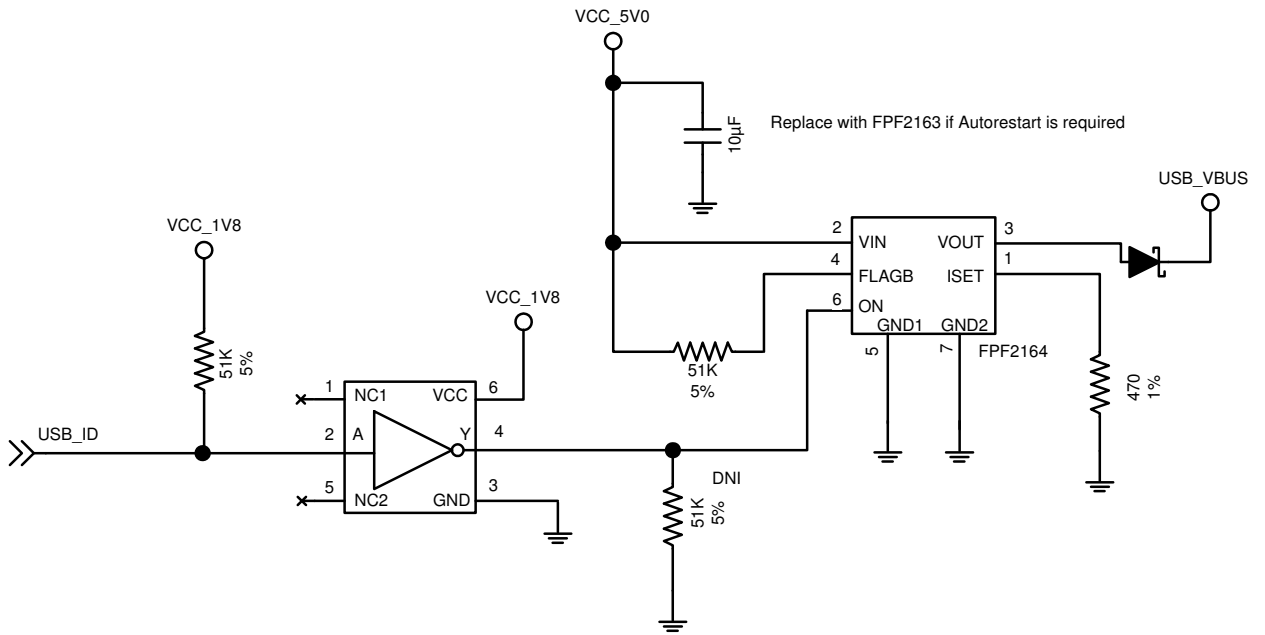


Figure 4-4: USB OTG Interface

5: Regulatory Compliance and Industry Certifications

Important Notice

Due to the nature of wireless communications, transmission and reception of data can never be guaranteed. Data may be delayed, corrupted (i.e., have errors) or be totally lost. Although significant delays or losses of data are rare when wireless devices such as the Sierra Wireless modem are used in a normal manner with a well-constructed network, the Sierra Wireless modem should not be used in situations where failure to transmit or receive data could result in damage of any kind to the user or any other party, including but not limited to personal injury, death, or loss of property. Sierra Wireless accepts no responsibility for damages of any kind resulting from delays or errors in data transmitted or received using the Sierra Wireless modem, or for failure of the Sierra Wireless modem to transmit or receive such data.

Safety and Hazards

Do not operate your AirPrime WP7504 Embedded Module:

- In areas where blasting is in progress
- Where explosive atmospheres may be present including refueling points, fuel depots, and chemical plants
- Near medical equipment, life support equipment, or any equipment which may be susceptible to any form of radio interference.

In such areas, the AirPrime WP7504 modem **MUST BE POWERED OFF**. Otherwise, the AirPrime WP7504 modem can transmit signals that could interfere with this equipment.

In an aircraft, the AirPrime WP7504 modem **MUST BE POWERED OFF**. Otherwise, the AirPrime WP7504 modem can transmit signals that could interfere with various onboard systems and may be dangerous to the operation of the aircraft or disrupt the cellular network. Use of a cellular phone in an aircraft is illegal in some jurisdictions. Failure to observe this instruction may lead to suspension or denial of cellular telephone services to the offender, or legal action or both.

Some airlines may permit the use of cellular phones while the aircraft is on the ground and the door is open. The AirPrime WP7504 modem may be used normally at this time.

Important Compliance Information for North American Users

The AirPrime WP7504 module has been granted modular approval for mobile applications. Integrators may use the AirPrime WP7504 module in their end products without additional FCC/IC (Industry Canada) certification if they meet the following conditions. Otherwise, additional FCC/IC approvals must be obtained.

1. The end product must use the RF trace design approved with the AirPrime WP7504 module. The Gerber file of the trace design can be obtained from Sierra Wireless upon request.
2. At least 20 cm separation distance between the antenna and the user’s body must be maintained at all times.
3. To comply with FCC/IC regulations limiting both maximum RF output power and human exposure to RF radiation, the maximum antenna gain including cable loss in a mobile-only exposure condition must not exceed the limits stipulated in [Table 5-1 on page 22](#).

Table 5-1: WP7504 Antenna Gain Specifications

Device	Technology	Band	Frequency (MHz)	Maximum antenna gain (dBi)
AirPrime WP7504	LTE	2	1850–1910	6
		4	1710–1755	6
		5	824–849	6
		12	699–716	6
		25	1850–1910	6
		26	814–849	6
	UMTS	2	1850–1910	6
		4	1710–1755	6
		5	824–849	6
	CDMA	BC0	824–849	6
		BC1	1850–1910	6
		BC10	816–824	6

4. The AirPrime WP7504 module may transmit simultaneously with other collocated radio transmitters within a host device, provided the following conditions are met:
 - Each collocated radio transmitter has been certified by FCC/IC for mobile application.
 - At least 20 cm separation distance between the antennas of the collocated transmitters and the user’s body must be maintained at all times.

- The radiated power of a collocated transmitter must not exceed the EIRP limit stipulated in [Table 5-2](#).

Table 5-2: Collocated Radio Transmitter Specifications

Device	Technology	Frequency (MHz)	EIRP Limit (dBm)
Collocated transmitters ¹	WLAN	2400–2500	25
		5150–5850	27
	WiMAX	2300–2400	25
		2500–2700	25
		3300–3800	25
	BT	2400–2500	15

1. Valid collocated transmitter combinations: WLAN+BT; WiMAX+BT.
(WLAN+WiMAX+BT is not permitted.)

5. A label must be affixed to the outside of the end product into which the AirPrime WP7504 module is incorporated, with a statement similar to the following:
 - **This device contains FCC ID: N7NWP7 / IC:2417C-WP7.**
6. A user manual with the end product must clearly indicate the operating requirements and conditions that must be observed to ensure compliance with current FCC/IC RF exposure guidelines.

The end product with an embedded AirPrime WP7504 module may also need to pass the FCC Part 15 unintentional emission testing requirements and be properly authorized per FCC Part 15.

Note: If this module is intended for use in a portable device, you are responsible for separate approval to satisfy the SAR requirements of FCC Part 2.1093 and IC RSS-102.



SIERRA
WIRELESS®