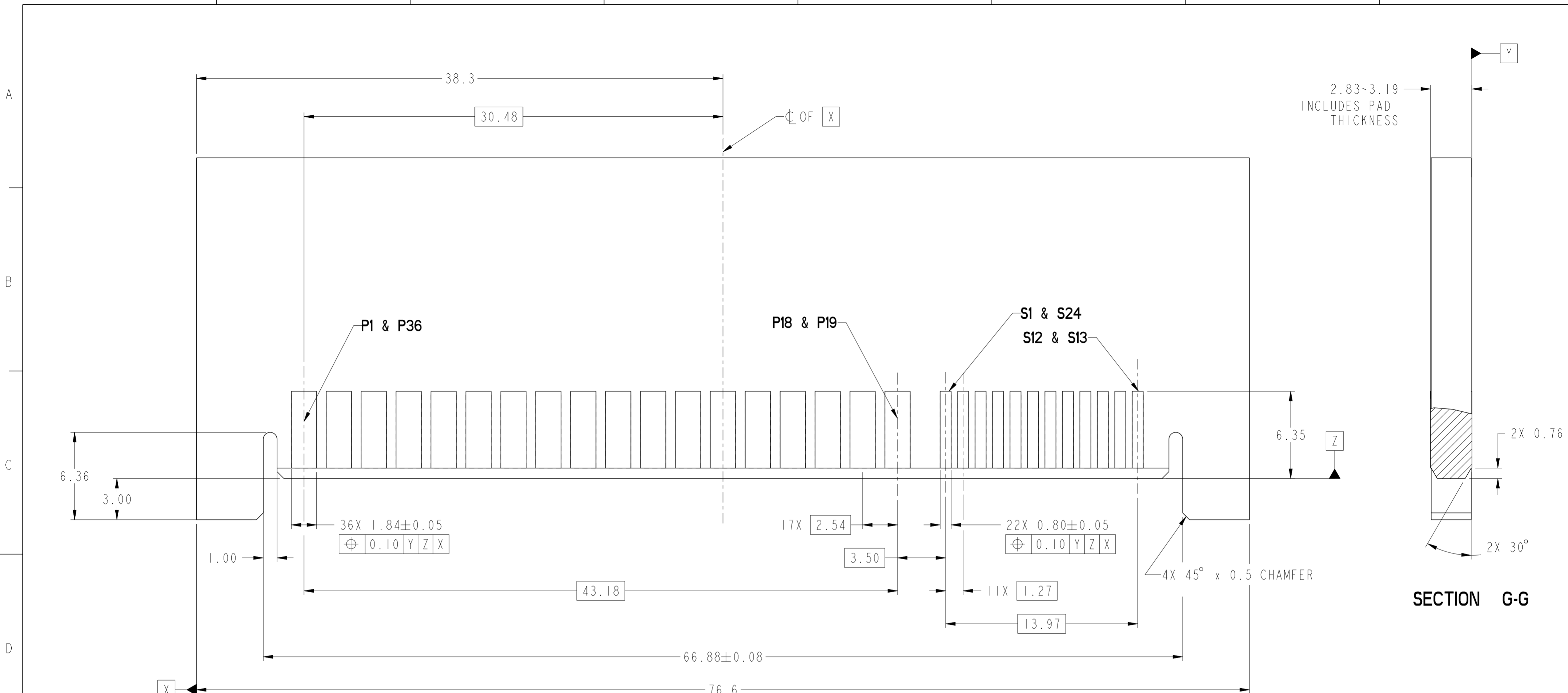


Copyright FCI.  
FCI

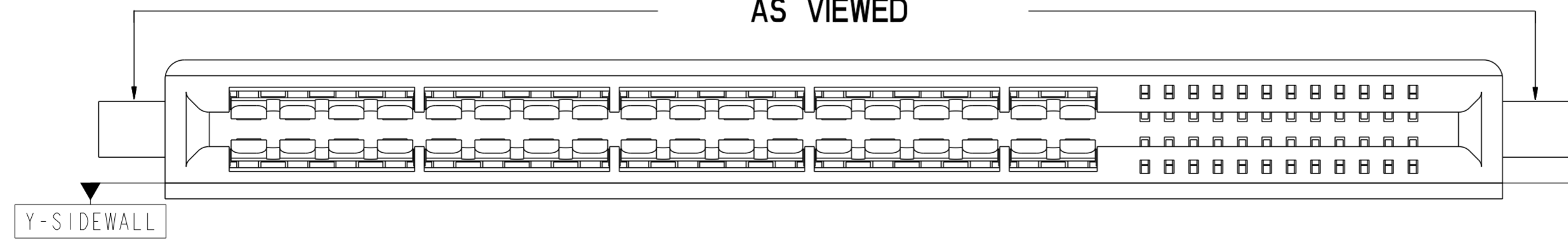
spec ref	-	dr	Hung Ngo	2013/01/04	projection	MM	size	A2	scale	4:1
tolerance std	ISO 406 ISO 1101	eng	Zhao Peter	2013/04/10			ecn no	-	rel level	Released
surface	ISO 1302	chr	-	app			Collins Lu	2013/04/10		
TOLERANCES UNLESS OTHERWISE SPECIFIED linear: 0.X ±0.3, 0.XX ±0.1, 0.XXX ±0.05 angular: 0° ±0°				title: STRADDLE MT. 36P-24S HPCE-MULTI-HOST-BOARD THICKNESS		cat. no.: -		Product - Customer Drw		sheet 1 of 4



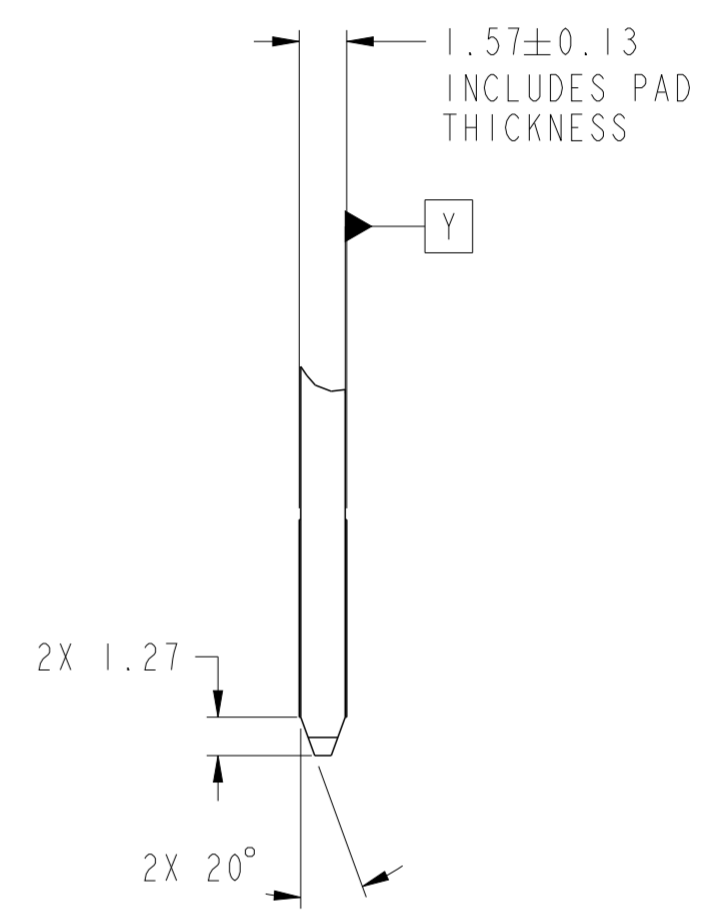
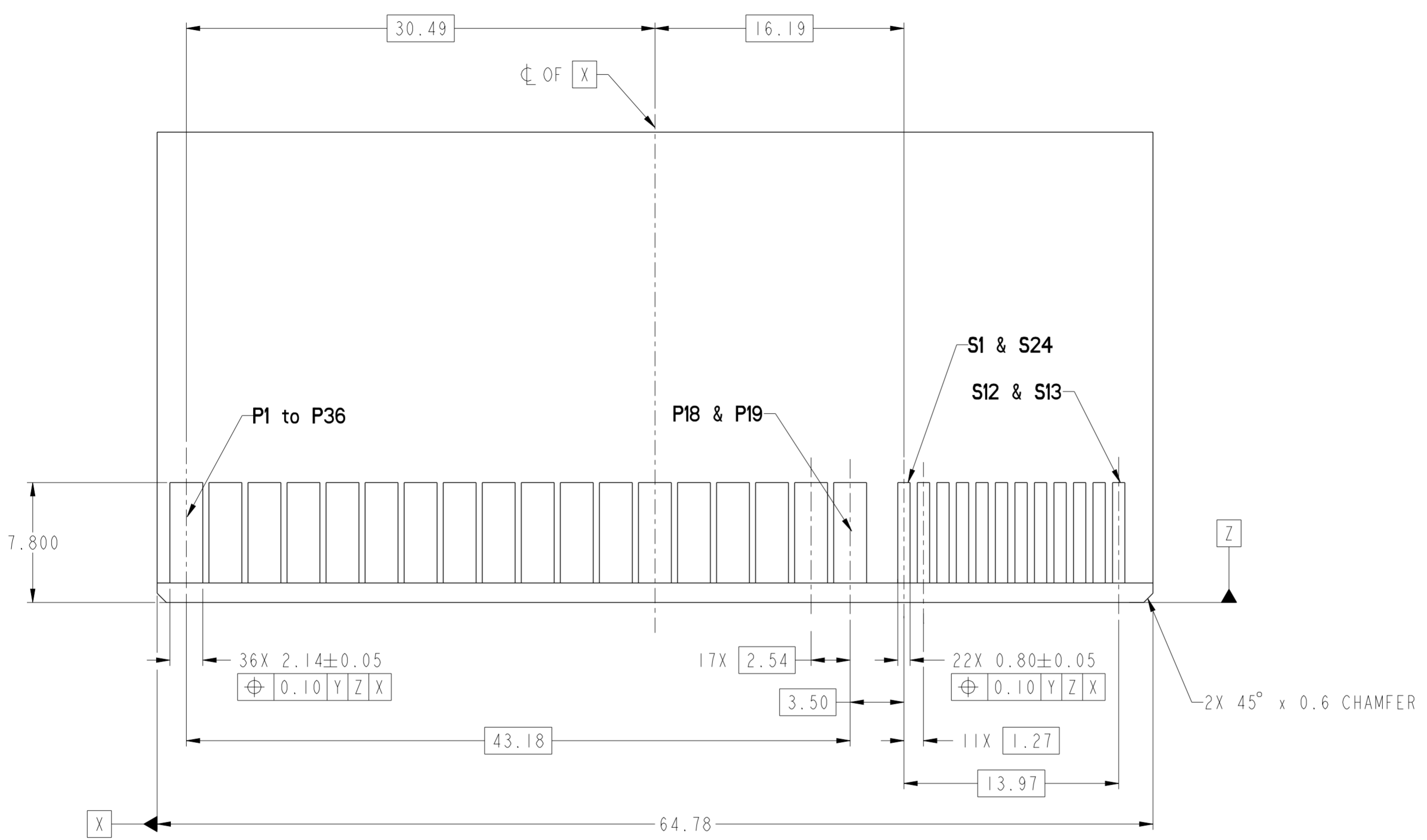
2.83~3.19  
INCLUDES PAD  
THICKNESS

**SECTION G-G**

**RECOMMENDED HOST BOARD LAYOUT  
AS VIEWED**



dr	Hung Ngo	2013/01/04	projection	MM	size	A2	scale	4:1
eng	Zhao Peter	2013/04/10			ecn no	-	rel level	Released
chr	-	-			cat. no.	-		
appr	Collins Lu	2013/04/10	product family	CARD EDGE	rel level	Released		
		<b>STRADDLE MT. 36P-24S</b> HPCE-MULTI-HOST-BOARD THICKNESS			dwg no 10123923	rev A		



RECOMMENDED MATING BOARD EDGE CONNECTION TYPE

Copyright FCI.  
FCI

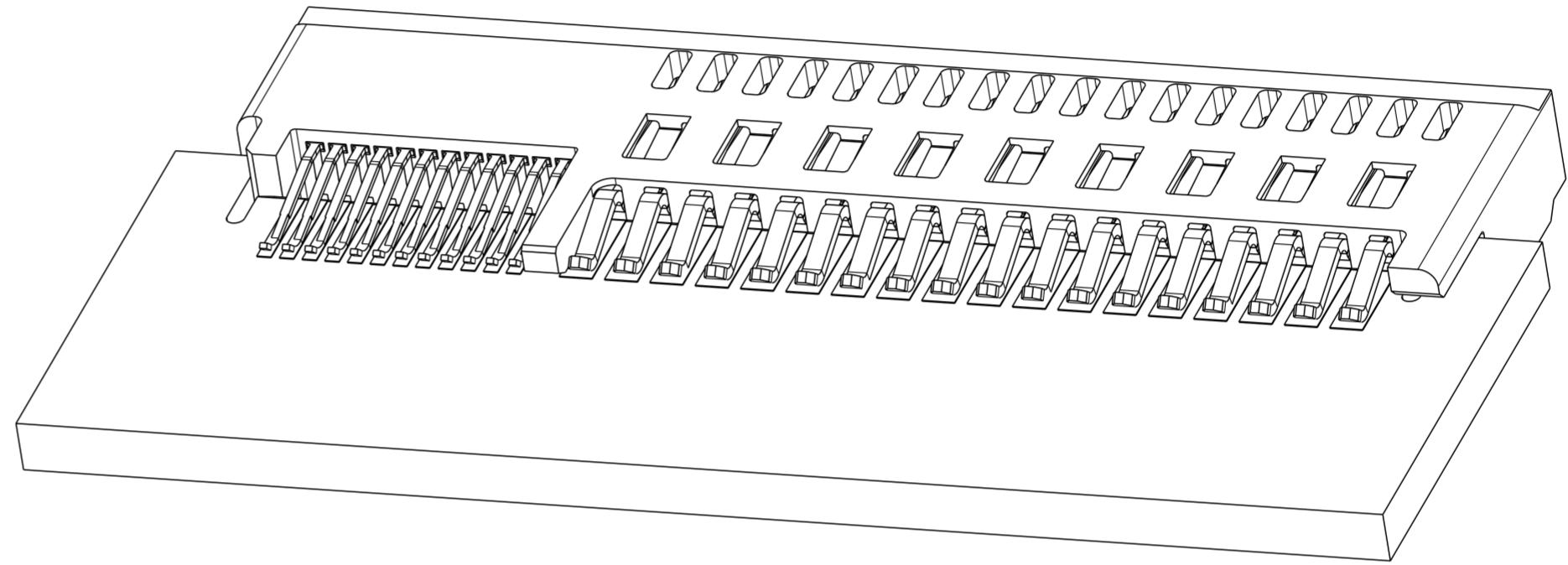
dr	Hung Ngo	2013/01/04	projection	MM	size	A2	scale	4:1
eng	Zhao Peter	2013/04/10		MM	ecn no	-	rel level	Released
chr	-	-						
appr	Collins Lu	2013/04/10	product family	CARD EDGE				
		title STRADDLE MT. 36P-24S HPCE-MULTI-HOST-BOARD THICKNESS			dwg no 10123923	rev A		
www.fci.com		cat. no.	-		Product - Customer Drw		sheet 3 of 4	

PDS: Rev :A

STATUS:Released

Printed: Apr 11, 2013

PART NUMBER	HOST BOARD THICKNESS	FRONT POLARIZATION KEY
10123923-001LF	3.01 ± 0.18	NO



NOTES:

1. CONNECTOR MATERIALS:

HOUSING: HIGH TEMPERATURE THERMAL PLASTIC, BLACK  
 UL 94V-0 COMPLIANT  
 CONTACTS: HIGH PERFORMANCE COPPER ALLOY.

2. CONTACT FINISH REF. GS-12-604 SECTION 5.2.

3. PRODUCT SPECIFICATION: GS-12-604.

4. APPLICATION SPECIFICATION: GS-20-128.

5. PRODUCT MARKING (FCI - PART NUMBER & DATE CODE) ON HOUSING IN AREA SHOWN.

6. PACKAGING MEETS FCI SPECIFICATION GS-14-937.

7. HOUSING COMPONENT WILL WITHSTAND EXPOSURE TO 260°C PEAK TEMPERATURE FOR 60 SECONDS IN A CONVECTION, INFRA-RED, OR VAPOR PHASE REFLOW OVEN.

8. HOST BOARD ALIGNMENT KEY IS RECOMMENDED TO ENSURE PROPER ALIGNMENT OF SOLDER TAILS WITH HOST BOARD PADS.

dr	Hung Ngo	2013/01/04	projection	MM	size	A2	scale	4:1	
eng	Zhao Peter	2013/04/10			ecn no.	-	rel level	Released	
chr	-	-			product family	CARD EDGE			
appr	Collins Lu	2013/04/10			title	STRADDLE MT. 36P-24S		dwg no.	10123923
www.fci.com			cat. no.		-		Product - Customer Drw		sheet 4 of 4