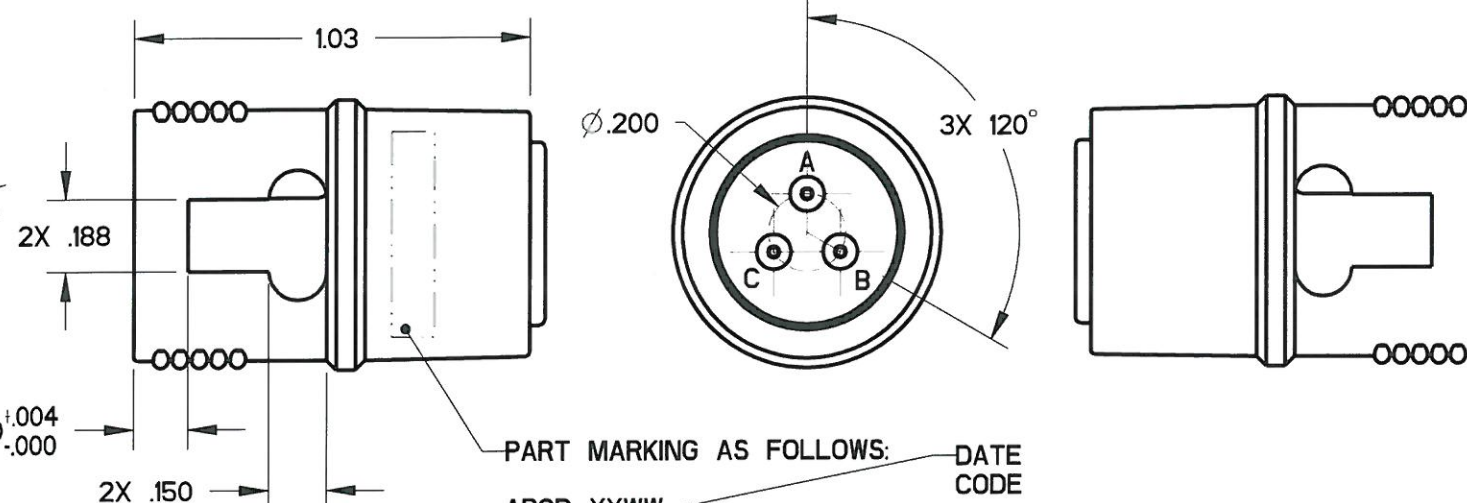
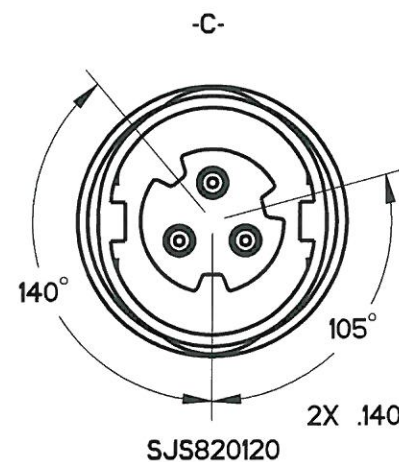
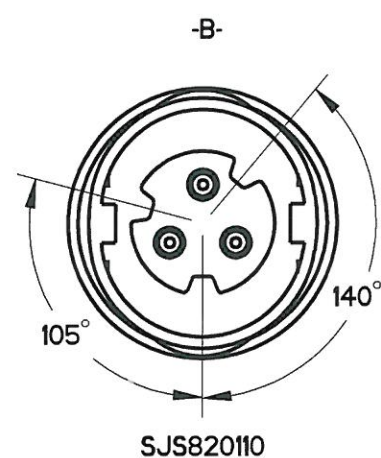
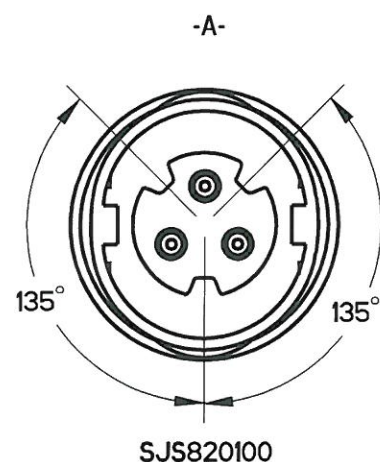
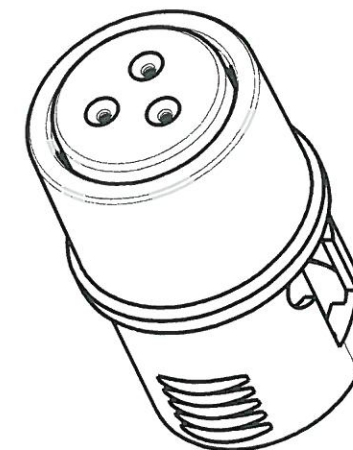
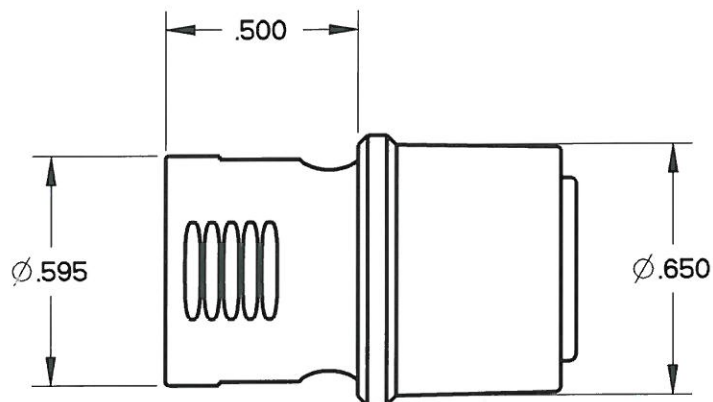


REV	ECN	APP'D
-	5791	J. TON
A	5951	J. TON
B	6102	J. TON
C	6109	JT 8/29/07
D	6589	JT 10/12/10

NOTES:

- MATERIALS:
HOUSING: PA 6/6
CONTACT RETAINER: STAINLESS STEEL
GROMMET: SILICONE RUBBER PER A-A-59588
- OPERATING RANGE:
TEMPERATURE: -55 °C TO 95 °C
INSULATION RESISTANCE: 5000 MEGOHMS MINIMUM
DIELECTRIC WITHSTANDING VOLTAGE: 1500 VRMS SEA LEVEL
600 VRMS @ 45,000 FT. ALTITUDE
- CURRENT RATING: 7.5 AMPS
VIBRATION: PER EIA-364D METHOD 28, TEST CONDITION V.
ALTITUDE IMMERSION: PER EIA-364D METHOD 3 @ 55,000 FT
(FORMERLY MIL-STD-1344 METHOD 1044)
- ACCEPTS (3) M39029/56-351 SOCKET CONTACTS (NOT INCLUDED)
- CONTACT RETENTION - 20 LBS EACH
LOCKING FEATURE - NO BREAK 35 LBS MIN



KEY CONFIGURATION SEE TABLE 1

SEE TABLE 1 FOR FULL PART NUMBERS

TABLE 1 - PART# SCHEME		
APCD PART#	KEY	COLOR
SJS820100	A	RED
SJS820110	B	WHITE
SJS820120	C	BLUE

DIMENSIONS ANSI Y14.5M UNITS: INCHES Pro/E FILE	TOLERANCES .XX ±0.01 .XXX ±0.005 ANGLES ±1.0°	PROJECTION 	Amphenol Pcd SPECIFICATION DRAWING			TITLE IN-LINE JUNCTION TRIPLE WIRE, SIZE 20 PLUG		
			ENGR S. STONE 01/27/06	CHKD 10/12/10	APP'D 10/12/10	SIZE B	DWG NO. SJS820100	REV D
ORIGINAL 	THIS DOCUMENT CONTAINS PROPRIETARY INFORMATION WHICH IS THE CONFIDENTIAL PROPERTY OF AMPHENOL PCD INC., BEVERLY, MA			CODE: 58982	SCALE: 2:1	SHEET 1 OF 1		

SJS820100

SJS820100