

PSE Technology Corporation

SPECIFICATION FOR APPROVAL

CUSTOMER	
NOMINAL FREQUENCY	26.000000 MHz
HOLDER TYPE	TYPE UK 3.2x2.5 SEAM SEALED CRYSTAL CLOCK OSCILLATOR
SPEC. NO. (P/N)	UK2600002
CUSTOMER P/N	
ISSUE DATE	April 20, 2011
VERSION	A

APPROVED	PREPARED	QA
<i>Alan Yang</i>	<i>Brenda</i>	<i>Tsai Hsin</i>
APPROVED BY CUSTOMER :		AVL Status
Please return one copy with approval to PSE-TW		

PSE Technology Corporation

No.2, Tzu-Chiang 5th Rd, Chung Li Industrial Park,
 Chung Li City, Taoyuan County, Taiwan (R.O.C.)
 TEL: 886-3-451-8888
 FAX: 886-3-461-3865
<http://www.saronix-ecera.com.tw>

*Pb-free
 *RoHS Compliant
 *HF-Halogen Free
 *REACH Compliant

*** A company of  **PERICOM Semiconductor Corporation** ***

TYPE UK 3.2x2.5 SEAM SEALED CRYSTAL CLOCK OSCILLATOR

UK2600002

VER. A 20-Apr-11

VERSION HISTORY

Version No.	Version Date	Customer Receipt Date	Supplier Receipt Date	Description	Notes
A	Apr.20,2011			Initial Release	



TYPE UK 3.2x2.5 SEAM SEALED CRYSTAL CLOCK OSCILLATOR

UK2600002

VER. A 20-Apr-11

ELECTRICAL SPECIFICATIONS

SRe Part Number : UK2600002

Item	Symbol	Specifications	Units	Notes
Nominal Frequency	F ₀	26.000000	MHz	
Frequency Stability	FT	± 20	ppm	**See note
Operating Temperature Range	TR	-30 to +85	°C	
Supply Voltage	V _{DD}	+1.8V ± 10%	V	
Logic Type	LT	Clipped Sinewave		
Supply Current, Output Enabled	I _{DD} /OE	2	mA	Max
Duty Cycle (Symmetry)	DC/SY	45 / 55	%	Measured 50% of Waveform
Output Voltage		0.4 - 0.9	Vp-p	
Output Load	ZL	10 / 10	pF/KΩ	
Jitter, Phase	RMS(1-σ)	2	ps	Max. 12KHz ~ 5MHz Frequency Band
Output Harmonic Level (2nd)		-20	dBc	Max
Output Harmonic Level (3rd)		-14	dBc	Max
Output Harmonic Level (4th)		-20	dBc	Max
Start Up Time		10	ms	Max
Storage Temperature Range		-55°C to +125°C	°C	

※ This product doesn't include harmful substance that stipulated by SONY SS-00259 Level 1 and S-AT2-001 Level 1 standard. RoHS Compliant (Pb - Free).

**Stability includes all combinations of Operating Temperature, Load changes, rated Input (Supply) Voltage changes, Initial Calibration Tolerance (25°C), Aging (1 year at 25°C Average Effective Ambient Temperature), Shock and Vibration.

Output Enable / Disable Function

Parameter	Min.	Typ.	Max.	Units	Notes
Input Voltage (Pin1), Output Enable	0.7V _{DD}			V	Or Open
Input Voltage (Pin1), Output Disable (low power standby)			0.3V _{DD}	V	Output is Hi-Z
Internal Pullup Resistance	30			KΩ	
Output Disable Delay			50	ns	

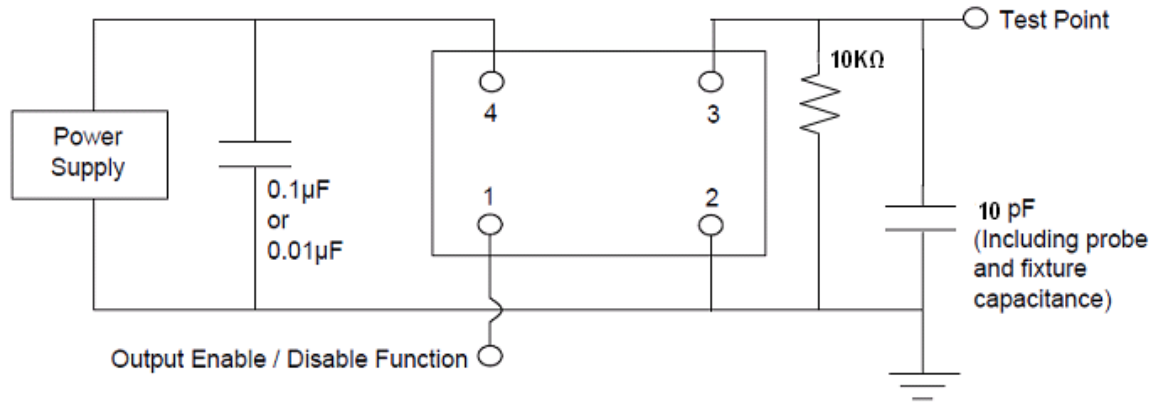


TYPE UK 3.2x2.5 SEAM SEALED CRYSTAL CLOCK OSCILLATOR

UK2600002

VER. A 20-Apr-11

TEST CIRCUIT



RELIABILITY SPECIFICATIONS

ENVIRONMENTAL:

- THERMAL SHOCK: MIL-STD-883, Method 1011, Condition A
- MOISTURE RESISTANCE: MIL-STD-883, Method 1004
- VIBRATION: MIL-STD-883, Method 2007, Condition A
- RESISTANCE TO SOLDERING HEAT: J-STD-020D Table 5-2 Pb-free devices (except 2 cycles max)
- HAZARDOUS SUBSTANCE: Pb - free and RoHS/Green Compliant.

MECHANICAL:

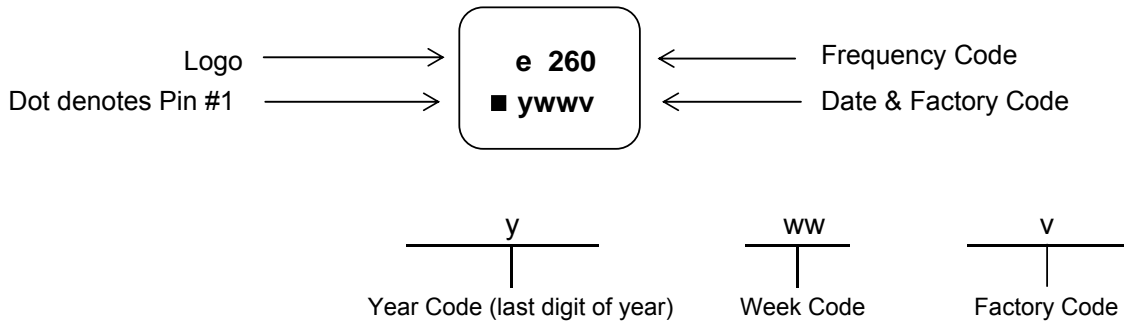
- SHOCK: MIL-STD-883, Method 2002, Condition B
- SOLDERABILITY: JESD22-B102-D Method 2 (Preconditioning E)
- TERMINAL STRENGTH: MIL-STD-883, Method 2004, Test Condition D
- GROSS LEAK: MIL-STD-883, Method 1014, Condition C
- FINE LEAK: MIL-STD-883, Method 1014, Condition A2, $R1=2 \times 10^{-8}$ atm cc/s
- SOLVENT RESISTANCE: MIL-STD-202, Method 215

TYPE UK 3.2x2.5 SEAM SEALED CRYSTAL CLOCK OSCILLATOR

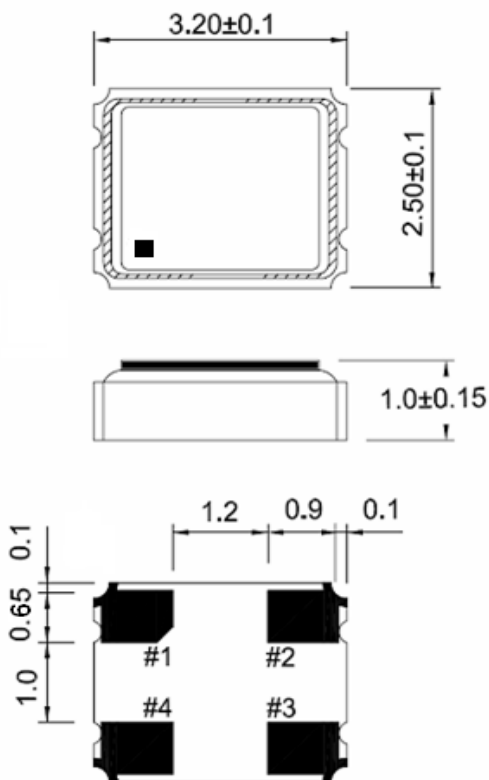
UK2600002

VER. A 20-Apr-11

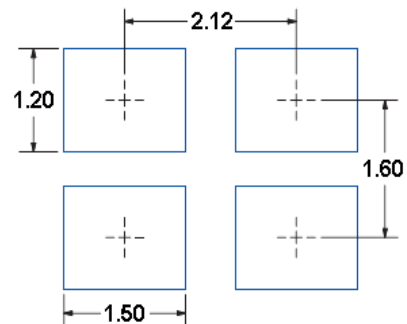
MARKING



MECHANICAL DRAWINGS (Scale: None. Dimensions are in mm.)



Recommended Land Pattern*



*External high-frequency power decoupling is recommended. (see test circuit for minimum recommendation). To ensure optimal performance, do not route traces beneath the package.

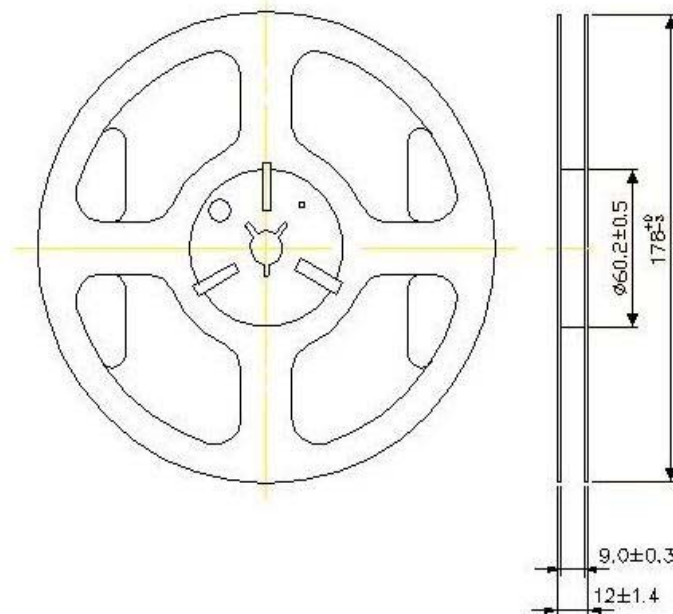
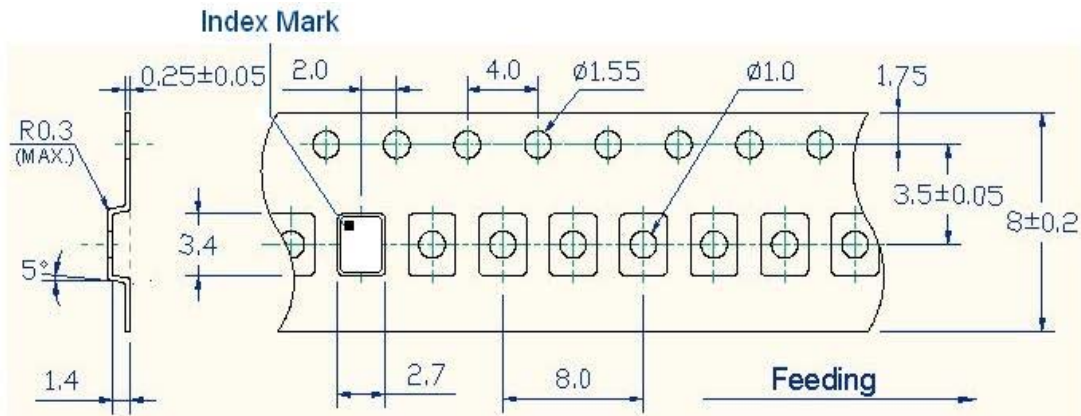
Pin	Function
1	OE
2	Ground
3	Clock Output
4	V _{DD}

TYPE UK 3.2x2.5 SEAM SEALED CRYSTAL CLOCK OSCILLATOR

UK2600002

VER. A 20-Apr-11

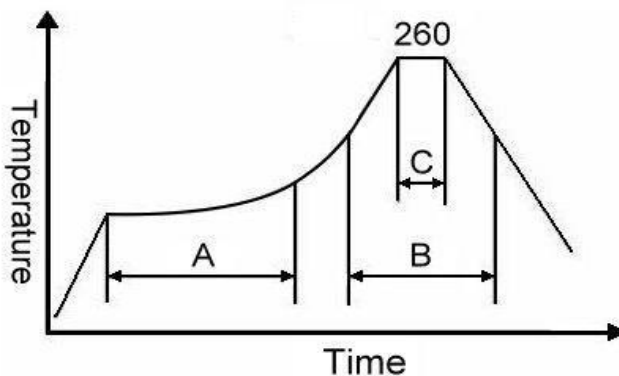
TAPE & REEL



1. 230mm minimum leader which consist of carrier and/or tape followed by a minimum of 160mm of empty carrier tape sealed with cover tape.
2. 160mm minimum trailer of empty carrier tape sealed with cover tape.

SUGGESTED IR REFLOW PROFILE

*As per IPC-JEDEC J-STD-020D



Note:

	Stage	Temperature	Time
A	Preheat	150~200°C	60~120 Sec
B	Primary Heat	217°C	60~150 Sec
C	Peak	260°C	10 Sec

For soldering reflow profile and reliability test ratings go to: <http://www.pericom.com/pdf/sre/reflow.pdf>

TYPE UK 3.2x2.5 SEAM SEALED CRYSTAL CLOCK OSCILLATOR

UK2600002

VER. A 20-Apr-11

PACKING

