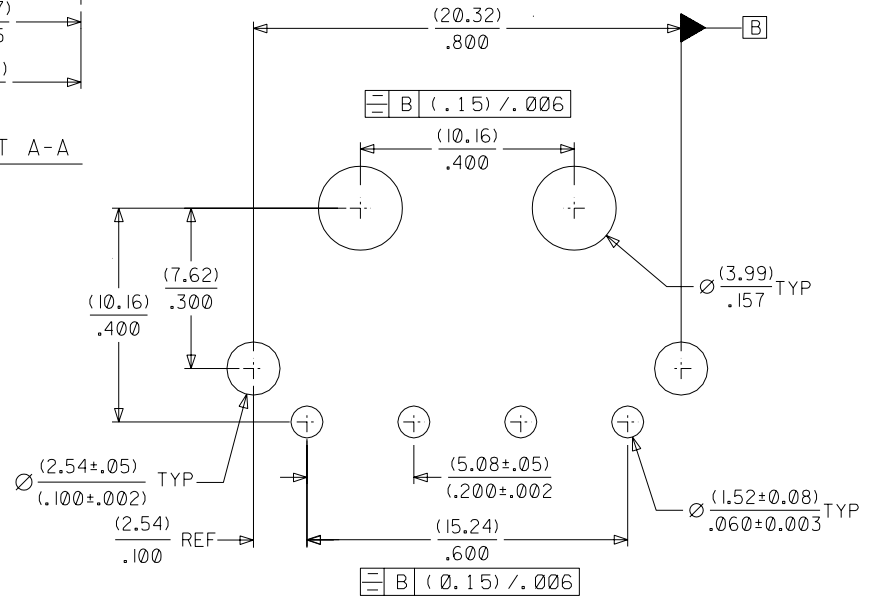


- NOTES:
- 1) MATERIAL  
 HOUSING - NYLON, TYPE 6/6, 94V-2, COLOR - NATURAL  
 TERMINAL - PHOSPHOR BRONZE  
 PLATING - POSTPATE (0.00254)/.000100 MIN.  
 TIN/LEAD OVER (0.00127)/.000050 MIN.  
 NICKEL OVERALL.
  - 2) PART INTENDED FOR USE WITH PLUG # 8981-4P AND  
 TERMINAL # 8980-R\*
  - 3) PRODUCT SPEC 8981 APPLIES.



RECOMMENDED P.C. BOARD LAYOUT (TOL. +/- (.13)/.005)

ASSY P.N.	PART NO.	'L'
A-8981-4R-1	I5-24-4041	(3.56)/.140
AX-8981-4R-2	----	(2.79)/.110
AX-8981-4R-3	----	(2.92)/.115

S2003-0222  
 BHLOW 20021009  
 PTLIM 20021125  
 SK TOH 20021125

0	-	-	NTS	x		x
0	-	-	G. R. XIE / 010502			ASSY, HEADER, 4 CKT
	20	008	KC LING 20010502			R/A MOUNT
			SK TOH 20010503			
		3				