

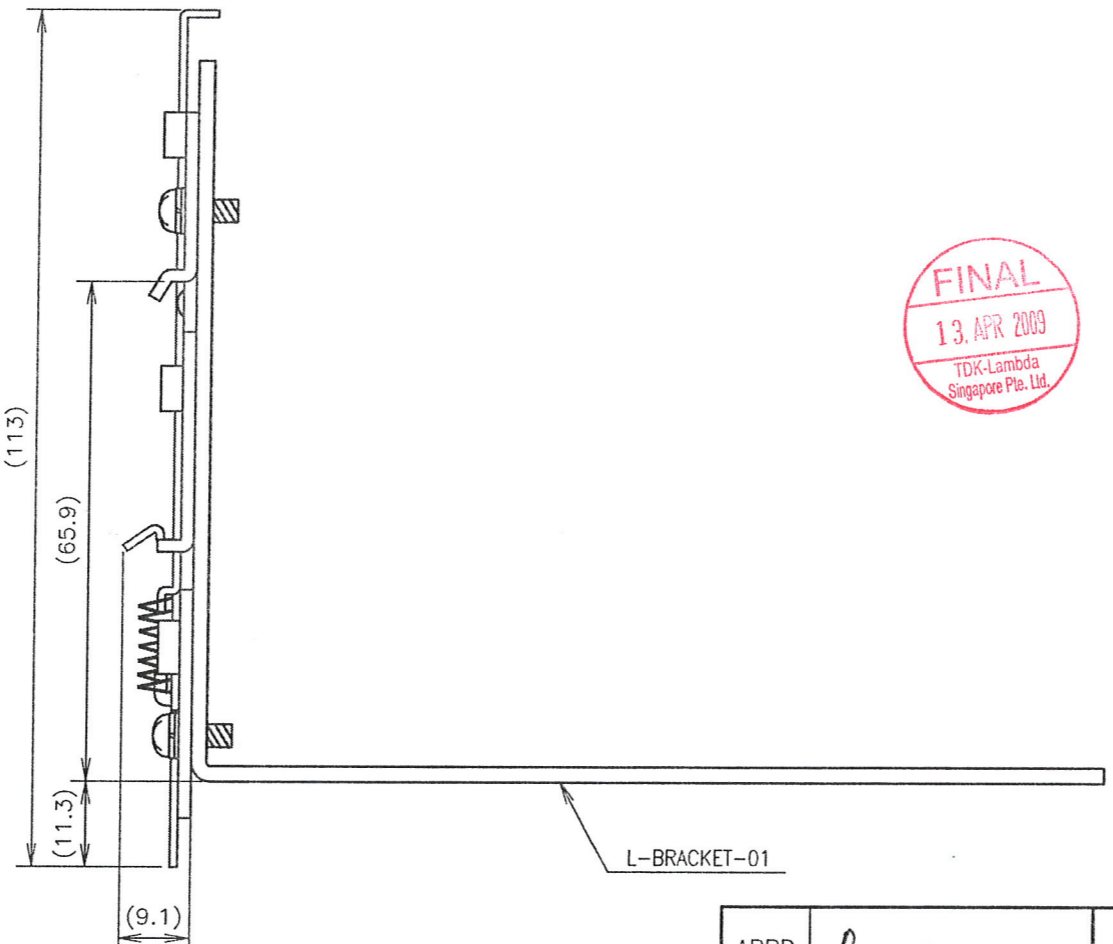
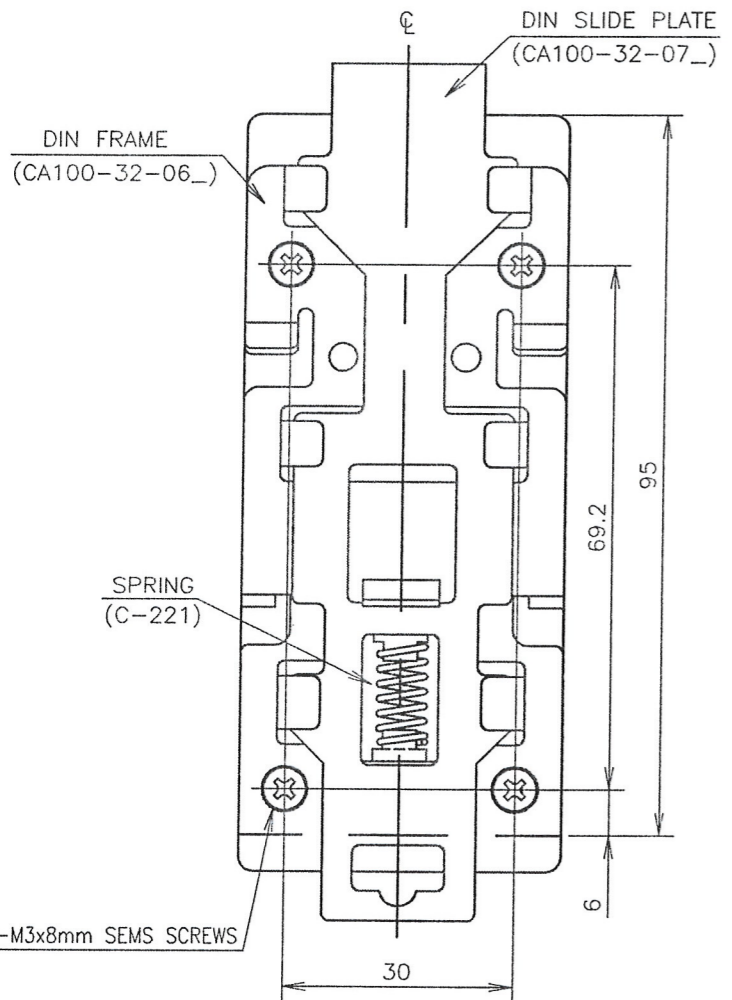
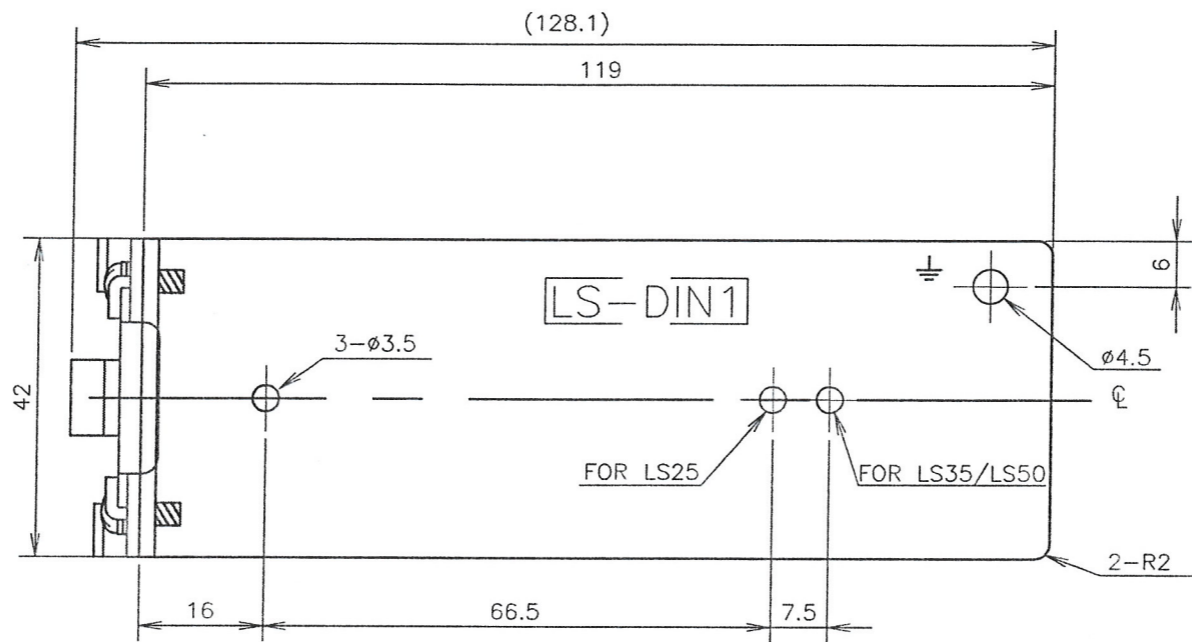
This is uncontrolled copy when without Authorized Mark on the printed drawing. Verification of the latest version shall be conducted by PLM system.

Unless otherwise specified dimensional tolerance as follows:	
DIMENSION (mm)	TOLERANCE ±mm
1-16	0.1
16.1-63	0.2
63.1-250	0.3
250.1-1000	0.5

D	REV	CONTENTS	DATE	ENGR	CHK	APPD
-	-1	NEW RELEASE	9/4/06	DEWIS	ychei	Ramoh

RoHS Compliance

REFER TO TL GROUP GREEN PROCUREMENT GUIDE LINE (DL-EMS-010_).



PARTS LIST

NO.	PARTS LIST	CATALOG No.	NET	MANUFACTURE
1	DIN FRAME	CA100-32-06_ (ONWARD CA100-32-06C)	1	T-L
2	DIN SLIDE PLATE	CA100-32-07_ (ONWARD CA100-32-07C)	1	T-L
3	L-BRACKET-01	PA900-00-64_	1	T-L
4	SPRING	C-221	1	KATO SPRING
5	SCREWS	M3x8mm SEMS	4	T-L

FINAL
 13. APR 2009
 TDK-Lambda
 Singapore Pte. Ltd.

APPD	Ramoh	SCALE	1/1	MATERIALS	TITLE	LS-DIN1(LS25/35/50)
CHK	ychei	UNITS	mm	FINISH	DRAWING No.	PA900-00-67 - []
ENGR	DEWIS	ANGLE	3RD ANGLE PROJECTION		PAGE	1/1
TDK-Lambda						

This is uncontrolled copy when without Authorized Mark on the printed drawing. Verification of the latest version shall be conducted by PLM system.

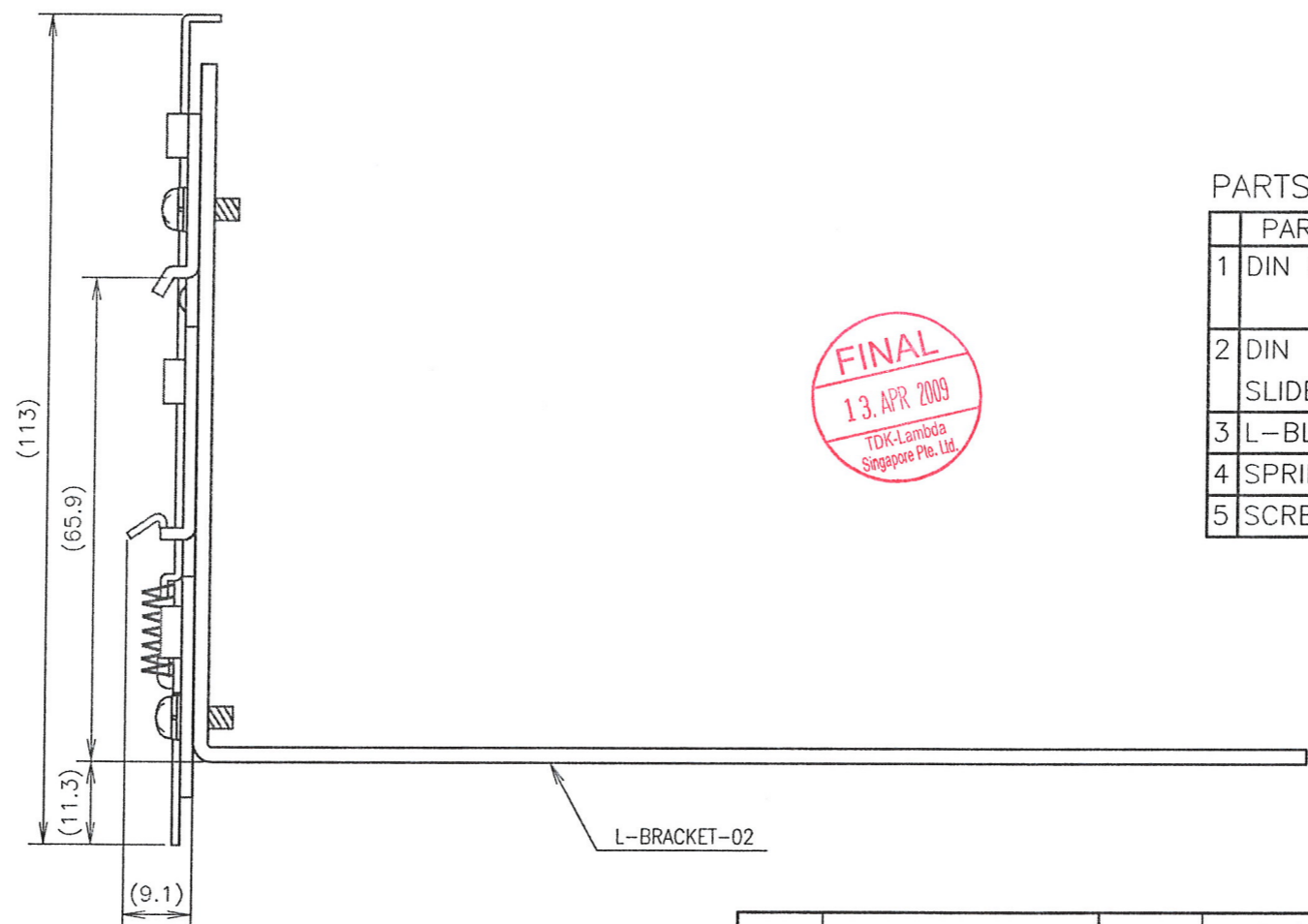
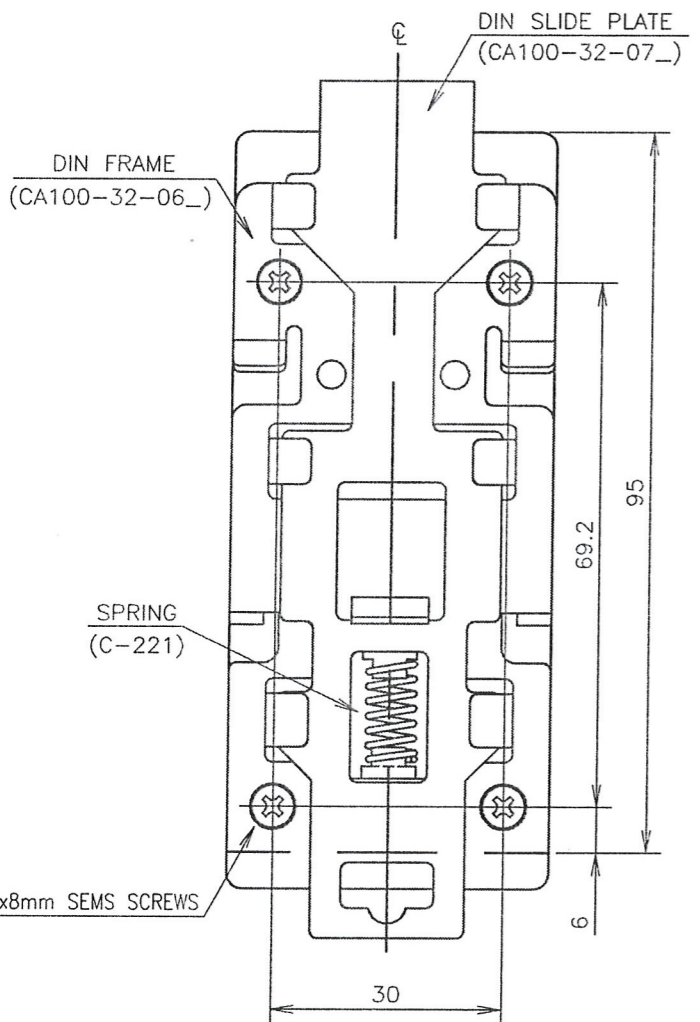
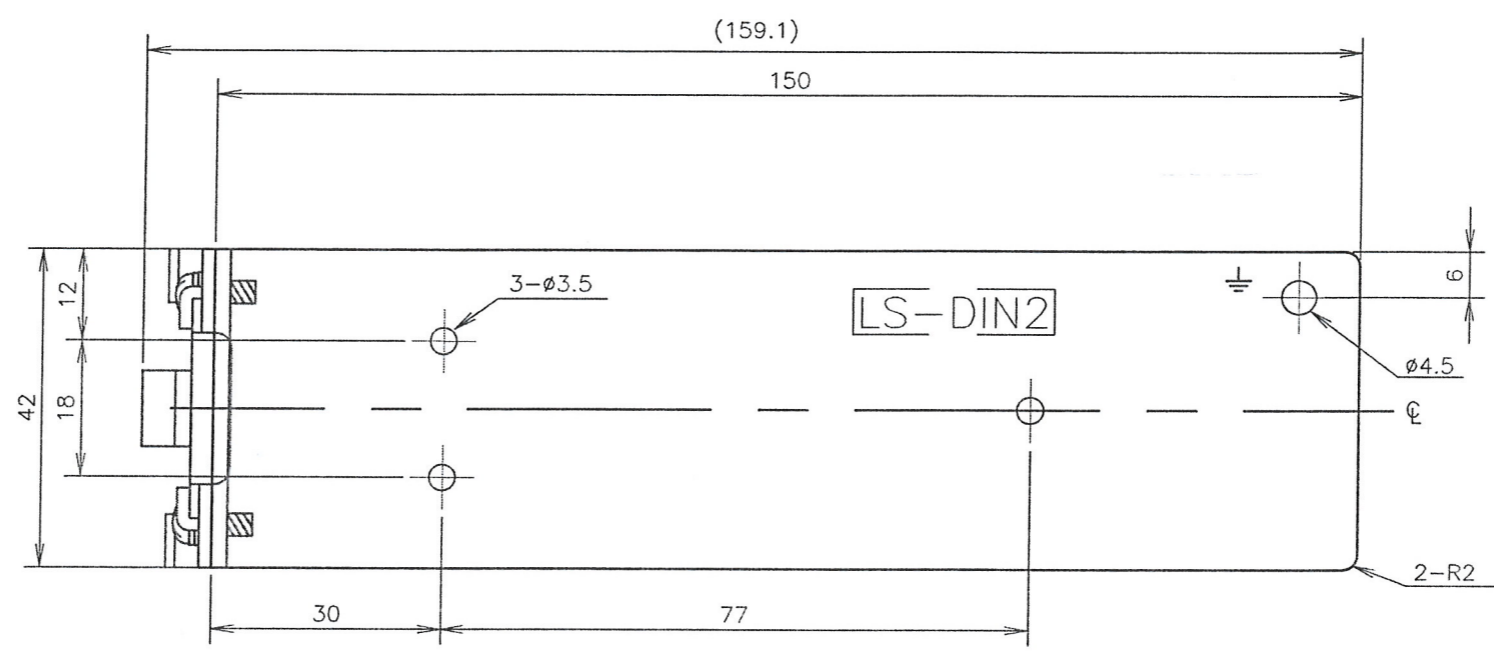
Unless otherwise specified dimensional tolerance as follows:

DIMENSION (mm)	TOLERANCE ±mm
1-16	0.1
16.1-63	0.2
63.1-250	0.3
250.1-1000	0.5

D	REV	CONTENTS	DATE	ENGR	CHK	APPD
-	-1	NEW RELEASE	9/4/09	DEWIS	yehui	Rameth

RoHS Compliance

REFER TO TL GROUP GREEN PROCUREMENT GUIDE LINE (DL-EMS-010_).



PARTS LIST

NO.	PARTS LIST	CATALOG No.	NET	MANUFACTURE
1	DIN FRAME	CA100-32-06_ (ONWARD CA100-32-06C)	1	T-L
2	DIN SLIDE PLATE	CA100-32-07_ (ONWARD CA100-32-07C)	1	T-L
3	L-BRACKET-02	PA900-00-65_	1	T-L
4	SPRING	C-221	1	KATO SPRING
5	SCREWS	M3x8mm SEMS	4	T-L

FINAL
13. APR 2009
TDK-Lambda
Singapore Pte. Ltd.

APPD	Rameth	SCALE	1/1	MATERIALS	TITLE	LS-DIN2(LS75)
CHK	yehui	UNITS	mm	FINISH	DRAWING No.	PA900-00-68 - 1/1
ENGR	DEWIS	ANGLE	3RD ANGLE PROJECTION	TDK-Lambda		

This is uncontrolled copy when without Authorized Mark on the printed drawing. Verification of the latest version shall be conducted by PLM system.

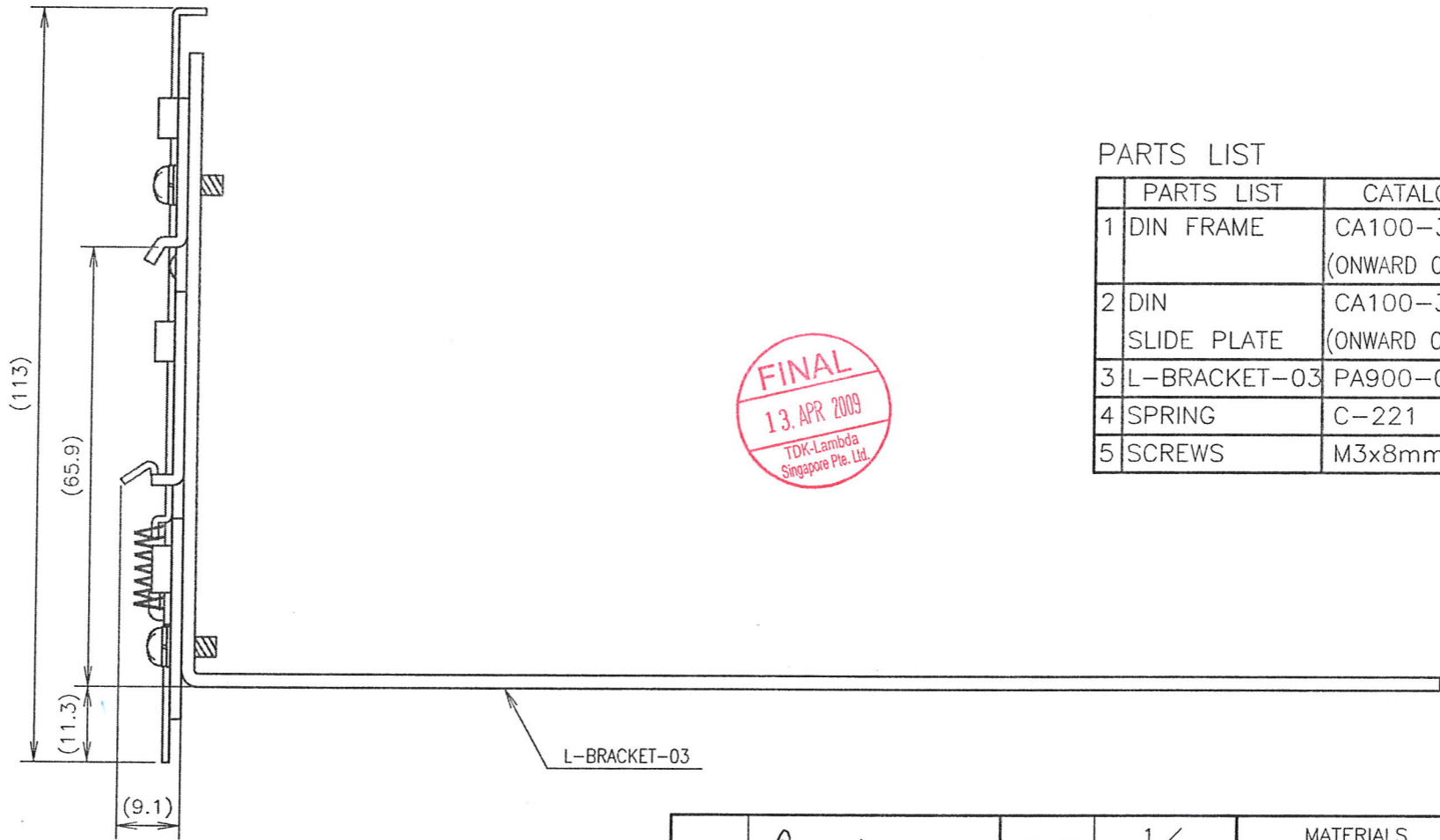
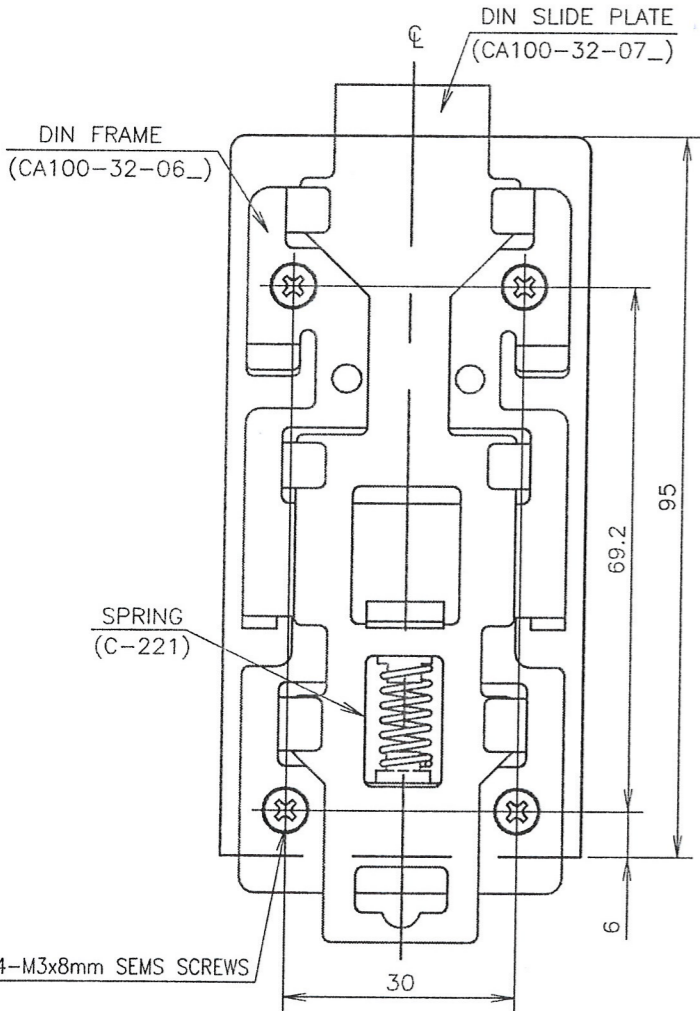
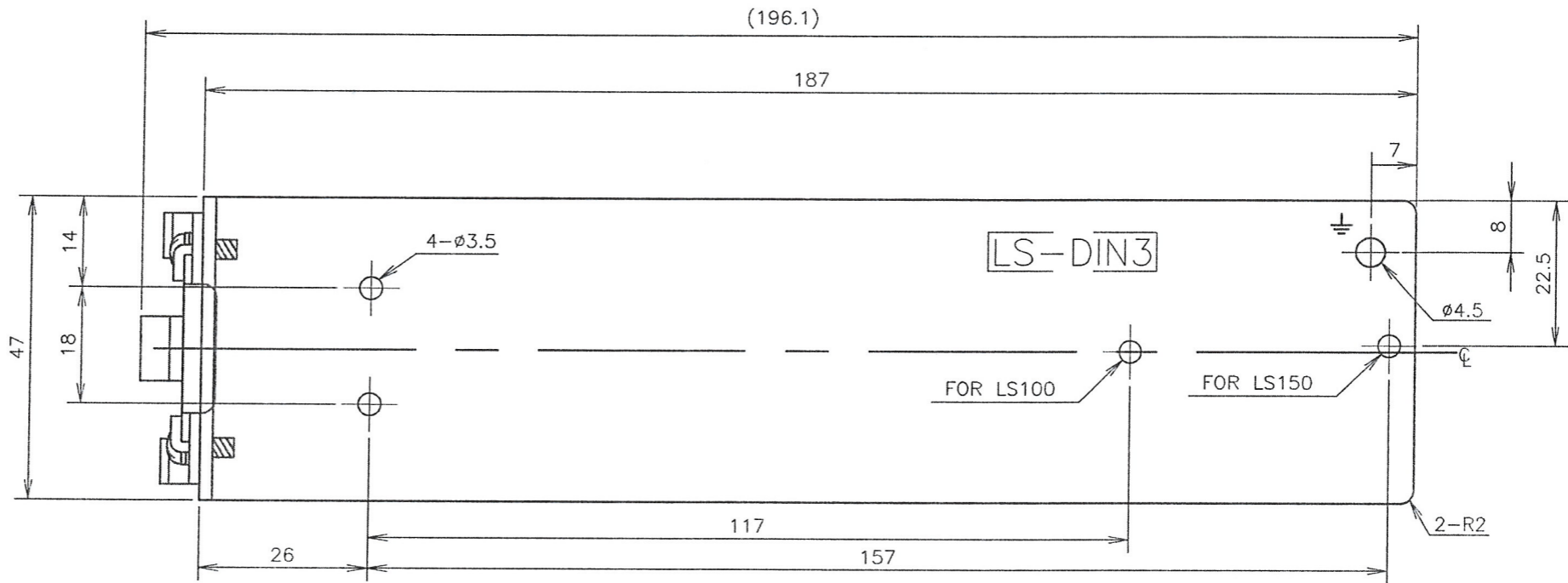
Unless otherwise specified dimensional tolerance as follows:

DIMENSION (mm)	TOLERANCE ±mm
1-16	0.1
16.1-63	0.2
63.1-250	0.3
250.1-1000	0.5

D	REV	CONTENTS	DATE	ENGR	CHK	APPD
-	-1	NEW RELEASE	9/4/09	DEVI	XLini	Ramesh

RoHS Compliance

REFER TO TL GROUP GREEN PROCUREMENT GUIDE LINE (DL-EMS-010_).



PARTS LIST

PARTS LIST	CATALOG No.	NET	MANUFACTURE
1 DIN FRAME	CA100-32-06_ (ONWARD CA100-32-06C)	1	T-L
2 DIN SLIDE PLATE	CA100-32-07_ (ONWARD CA100-32-07C)	1	T-L
3 L-BRACKET-03	PA900-00-66_	1	T-L
4 SPRING	C-221	1	KATO SPRING
5 SCREWS	M3x8mm SEMS	4	T-L

FINAL
13 APR 2009
TDK-Lambda
Singapore Pte. Ltd.

APPD	Ramesh	SCALE	1/1	MATERIALS	TITLE	LS-DIN3(LS100/150)
CHK	XLini	UNITS	mm	FINISH	DRAWING No.	PA900-00-69- PAGE 1/1
ENGR	DEVI	ANGLE	3RD ANGLE PROJECTION		TDK-Lambda	