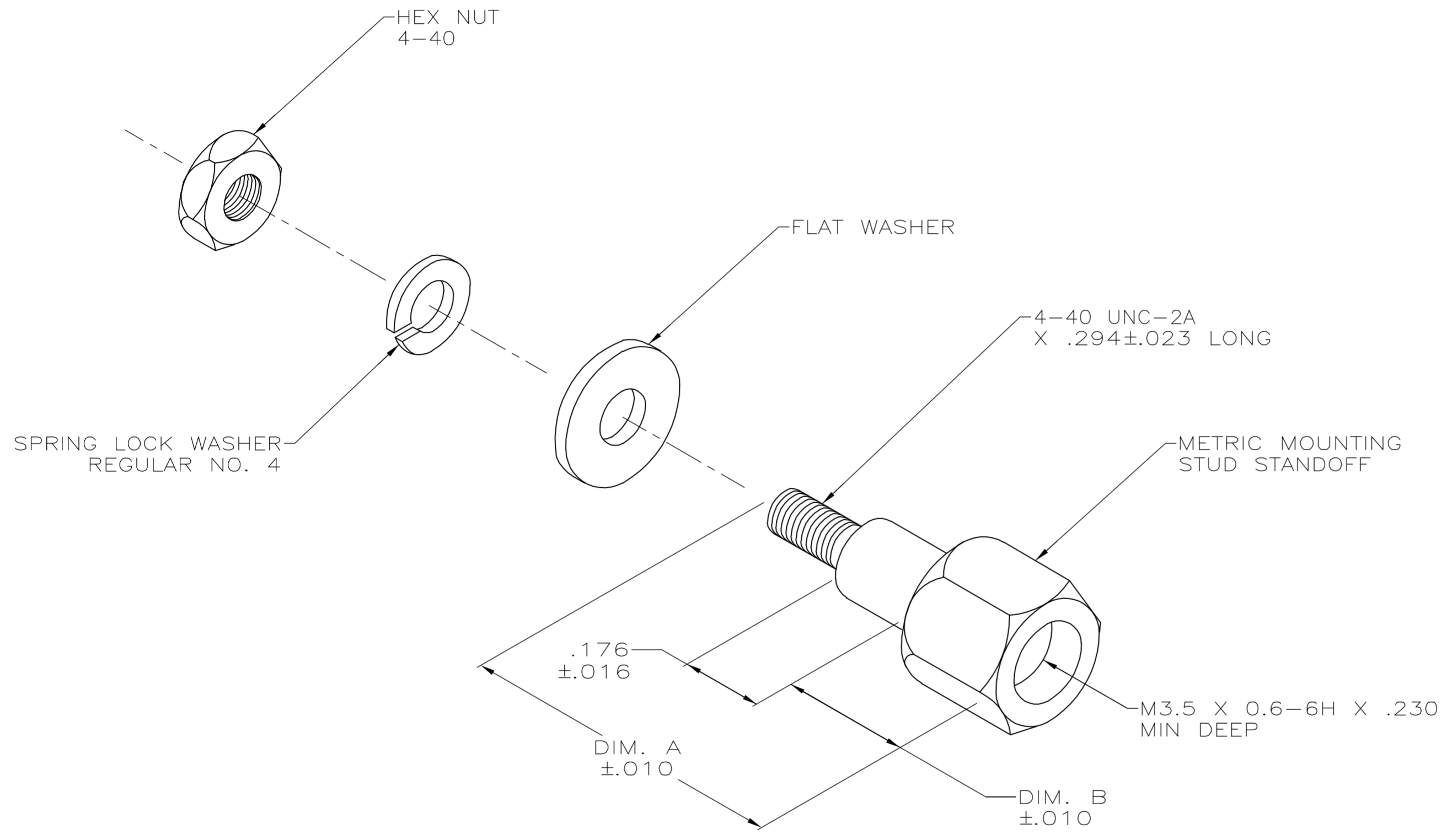


THIS DRAWING IS UNPUBLISHED. RELEASED FOR PUBLICATION  
 © COPYRIGHT BY TYCO ELECTRONICS CORPORATION. ALL RIGHTS RESERVED.

LOC	DIST	REVISIONS			
P	LTR	DESCRIPTION	DATE	DWN	APVD
GP	00	0	RELEASED PER EC 0513-0288-05	17OCT05	BM WM

- 1. MATERIAL: METRIC MOUNTING STUD – BLACK OXIDE COATED CARBON STEEL.  
WASHER, LOCKWASHER AND HEX NUT – ZINC PLATED STEEL.
- 2. ALL HARDWARE SHIPPED UNASSEMBLED.



.193	.688	5553636-3
.256	.750	5553636-2
DIM. B	DIM. A	PART NUMBER

THIS DRAWING IS A CONTROLLED DOCUMENT.		DWN B. MCMASTER	17OCT05	Tyco Electronics Corporation Harrisburg, PA 17105-3608													
DIMENSIONS: INCHES		CHK W. MILLHIMES	17OCT05														
TOLERANCES UNLESS OTHERWISE SPECIFIED:		APVD W. MILLHIMES	17OCT05														
<table border="1"> <tr><td>0 PLC</td><td>± -</td></tr> <tr><td>1 PLC</td><td>± -</td></tr> <tr><td>2 PLC</td><td>± -</td></tr> <tr><td>3 PLC</td><td>± -</td></tr> <tr><td>4 PLC</td><td>± -</td></tr> <tr><td>ANGLES</td><td>± -</td></tr> <tr><td>FINISH</td><td>± -</td></tr> </table>		0 PLC	± -		1 PLC	± -	2 PLC	± -	3 PLC	± -	4 PLC	± -	ANGLES	± -	FINISH	± -	PRODUCT SPEC
0 PLC	± -																
1 PLC	± -																
2 PLC	± -																
3 PLC	± -																
4 PLC	± -																
ANGLES	± -																
FINISH	± -																
MATERIAL		APPLICATION SPEC	SIZE	HARDWARE KIT, SHIELDED, CHAMP LATCH													
<table border="1"> <tr><td>1</td></tr> </table>		1	WEIGHT		CAGE CODE												
1																	
CUSTOMER DRAWING		SCALE	DRAWING NO	RESTRICTED TO													
		4:1	A2 00779 C=5553636	—													
		SHEET	REV														
		1 of 1	0														

5553636