

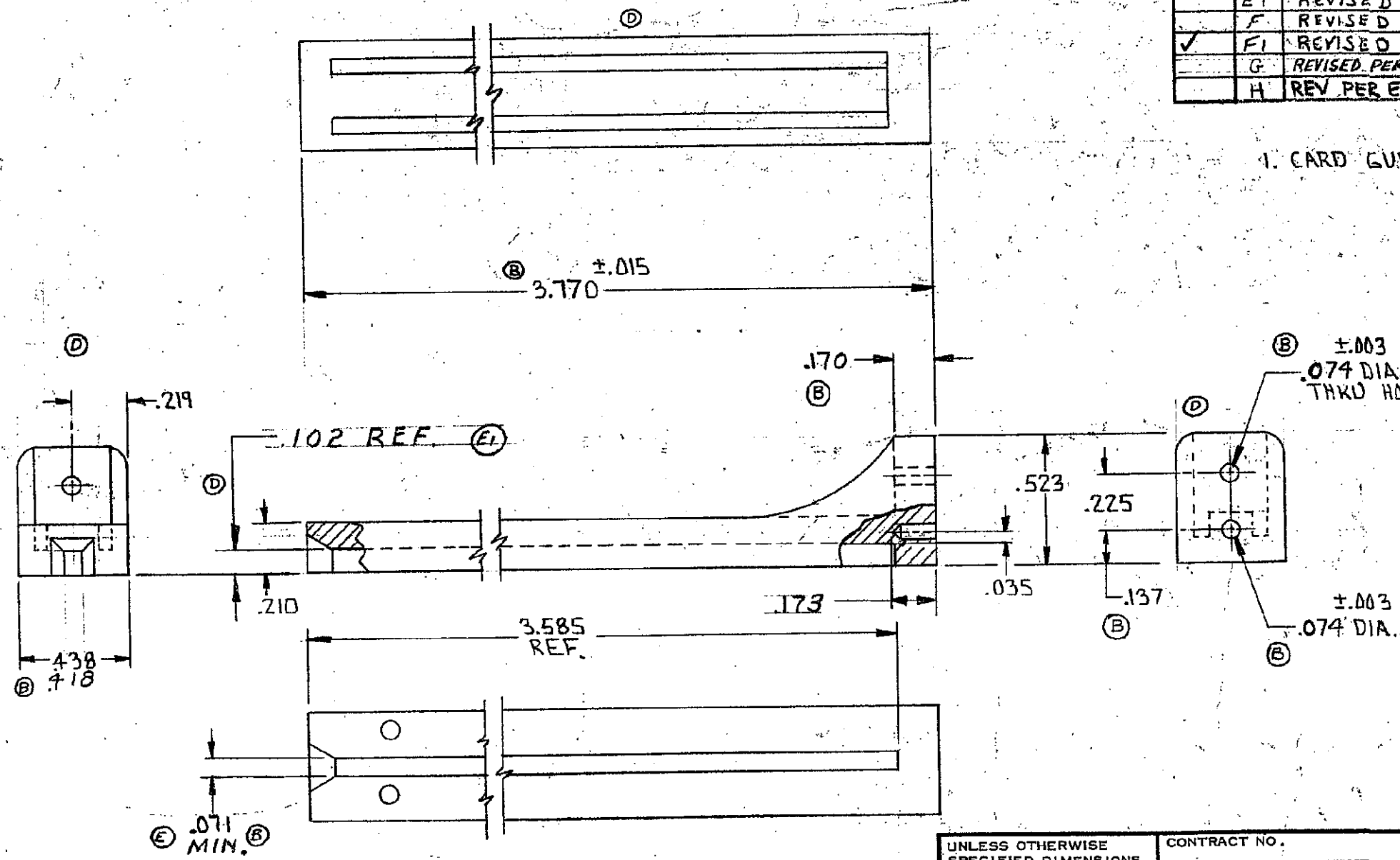
DRAWING MADE IN AMERICAN PROJECTION

© 1970 BY AMP INCORPORATED. ALL RIGHTS RESERVED. AMP
 Patents covered by patents and/or patents pending.
 No part of this drawing is to be reproduced or published
 without permission of AMP Incorporated

583671-1 I.A.S. SHOWN

REVISIONS				
ZONE	LTR	DESCRIPTION	DATE	APPROVED
	D	RELEASED WAS 5172-231-2	11-24-70	DH
	A	REVISED 2849	M.S. 7-14-71	DH
	B	REVISED 3000	M.S. 5-6-71	DH
	C	REVISED MATL. 3030	M.S. 5-21-71	DH
	D	REVISED 3257	M.S. 11-12-71	DH
	E	REVISED 3325	M.S. 1-17-72	DH
	E1	REVISED 4375	M.S. 2-19-75	DR
	F	REVISED 4690	M.S. 2-11-76	DR
✓	F1	REVISED MATL. 5328	M.S. 11-10-77	
	G	REVISED PER 0010-0636-95	6-30-95	RB/J
	H	REV PER EC 0320-209-97	7-1-97	NS

D
S
C
B
A



1. CARD GUIDE ACCEPTS #2 SELF TAPPING SCREW

▲ GLASS FILLED NYLON OR GLASS FILLED
 POLYESTER, COLOR: BLACK OR BROWN

UNLESS OTHERWISE SPECIFIED DIMENSIONS ARE IN INCHES TOLERANCES ON: DECIMALS ±.005 ANGLES ±.1	CONTRACT NO.		AMP AMP INCORPORATED HARRISBURG, PENNSYLVANIA	
	ARR. <i>H. Waratyle</i> 11/24/70			
	CHK. <i>S.S. Helde</i> 11/30/70		NAME	CARD GUIDE
	MATERIAL		SIZE	B
▲	DSGN APPD		CODE IDENT NO.	00779
	OTHER APPD		NUMBER	583671
			SCALE	SHEET 1 OF 1

LOC FT
PRINT DIST 22

CUSTOMER DRAWING