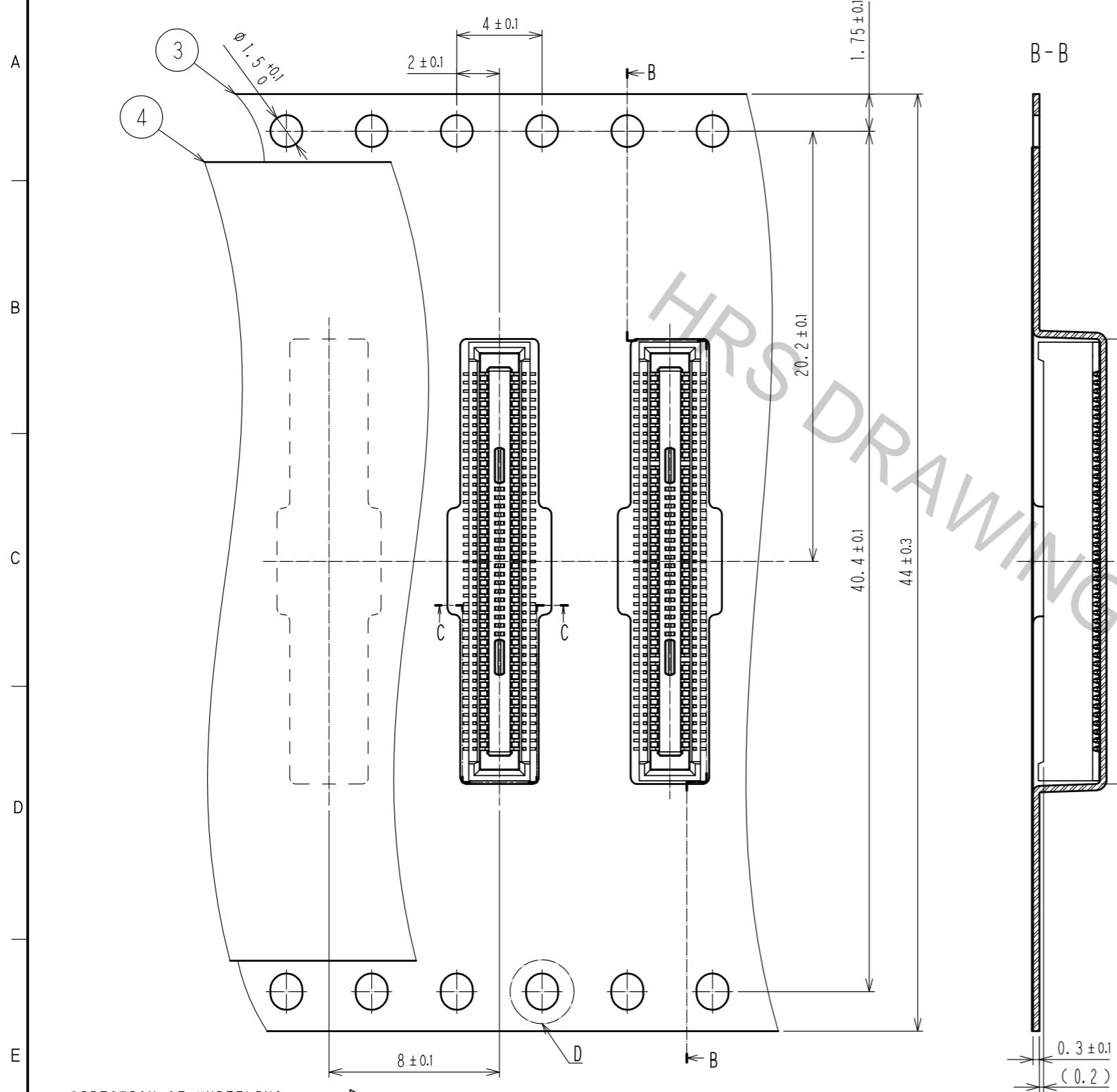


RECOMMENDED METAL MASK THICKNESS : 120 μm  
 RECOMMENDED METAL MASK OPENING RATIO : 80% FOR LEAD PAD

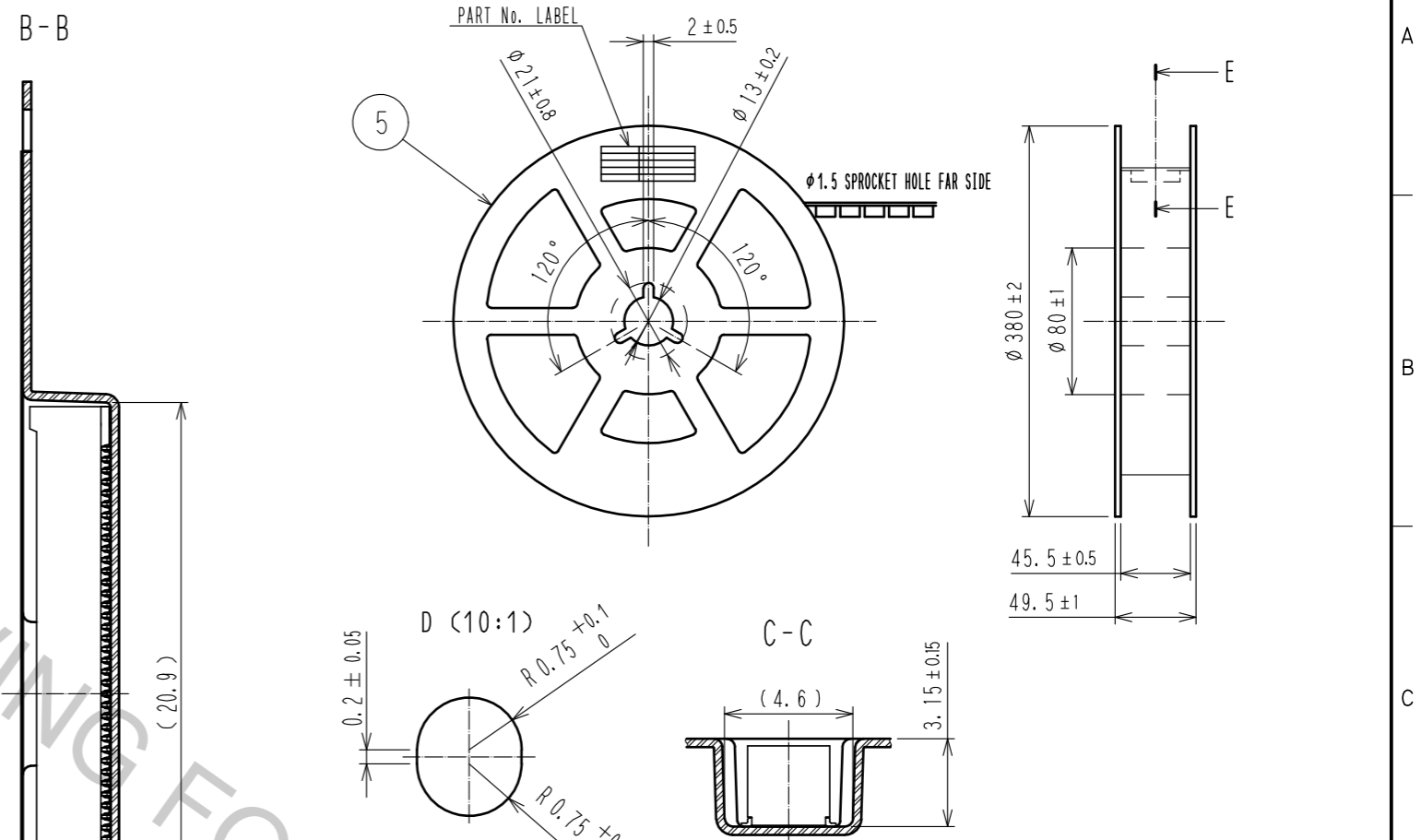
- NOTES) 1. ALL LEADS CO-PLANARITY SHALL BE 0.1mm MAX.  
 2. IS NO PATTERN AREA OTHER THAN THE SAME CIRCUIT.  
 3. HRS MARK AND CAV NO. ARE INDICATED IN APPROXIMAL POSITION SHOWN.

2	PHOSPHOR BRONZE	CONTACT AREA:GOLD 0.05 μm MIN SMT LEAD:GOLD 0.05 μm MIN UNDERPLATING:NICKEL 1 μm MIN	6	PS	CLEAR, REINFORCEMENT COLLAR		
			5	PS	BLACK, PLASTIC REEL		
			4	POLYESTER	CLEAR, COVER TAPE		
1	LCP	BLACK, UL94V-0	3	PS	CLEAR, EMBOSSED CARRIER TAPE		
NO.	MATERIAL	FINISH, REMARKS	NO.	MATERIAL	FINISH, REMARKS		
UNITS mm		SCALE 10 : 1	COUNT	DESCRIPTION OF REVISIONS	DESIGNED	CHECKED	DATE
<b>HRS</b> HIROSE ELECTRIC CO., LTD.		APPROVED : MO. ISHIDA	16.03.30	DRAWING NO. EDC-337746-58-01			
		CHECKED : TS. MIYAZAKI	16.03.30	PART NO. DF40HC(3.0)-90DS-0.4V(58)			
		DESIGNED : SH. HOSODA	16.03.30	CODE NO. CL684-4161-4-58			
		DRAWN : KR. AJITO	16.03.30	1/2			

EMBOSSED CARRIER TAPE DIMENSIONS (FREE)

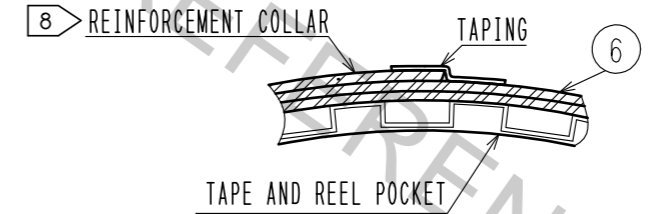


STYLE AND DIMENSION OF REEL (FREE)



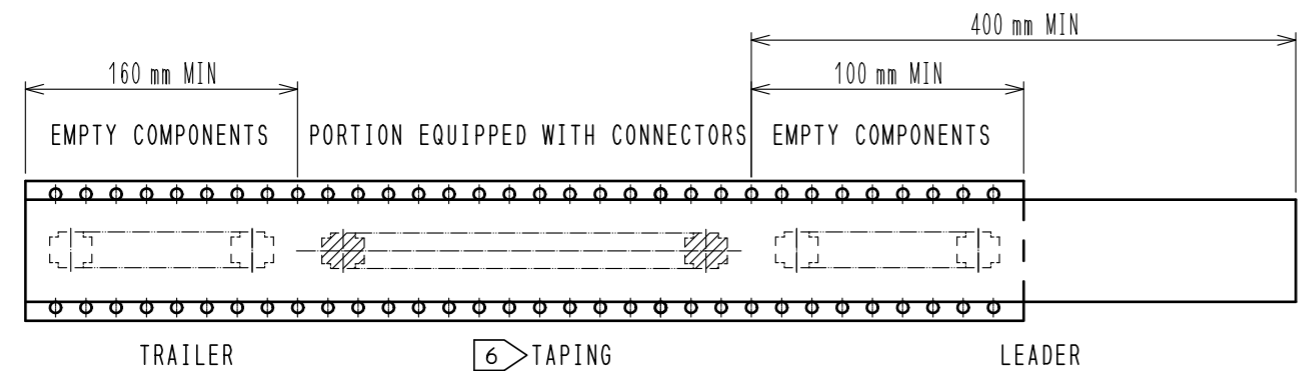
7) DETAIL OF PART No. LABEL

製造年月日	** ** *
製品コード	CL684-4161-4-58
製品名	DF40HC(3.0)-90DS-0.4V(58)
数量	1000
納入者	ヒロセ電機(株)



- NOTES
- 4. PER REEL 1000 CONNECTORS.
  - 5. THE DIMENSIONS IN PARENTHESES ARE FOR REFERENCE.
  - 6) REFER TO JIS C 0806(IEC 60286-3)(PACKING OF COMPONENTS FOR AUTOMATIC HANDLING)
  - 7) DETAIL OF PART NO. LABEL IS WRITTEN IN JAPANESE. PART NO. LABEL DESCRIBES THE FOLLOWING INFORMATION FROM TOP.  
 PRODUCTION DATE:  
 PRODUCT CODE: CL684-4161-4-58  
 PART NUMBER: DF40HC(3.0)-90DS-0.4V(58)  
 NUMBER OF PIECES: 1000 PIECES  
 SUPPLIER NAME: HIROSE ELECTRIC CO., LTD.
  - 8) AFTER PACKAGING, ROLL 2 METERS OF THE REINFORCEMENT COLLAR TO OUTER CIRCUMFERENCE OF TAPE AND REEL POCKET, AND TAPE DOWN AT THE END THE COLLAR.

DIRECTION OF UNREELING →



<b>HRS</b>	DRAWING NO.	EDC-337746-58-01
	PART NO.	DF40HC(3.0)-90DS-0.4V(58)
	CODE NO.	CL684-4161-4-58