

MAX16140

nanoPower, Tiny Supervisor with Manual Reset Input

General Description

The MAX16140 is an ultra-low-current, single-channel supervisory IC in a tiny, 4-bump, wafer-level package (WLP). The MAX16140 monitors the V_{CC} voltage from 1.7V to 4.85V in 50mV increments and asserts a reset when V_{CC} voltage falls below the reset threshold. The reset output remains asserted for the reset timeout period after the V_{CC} voltage rises above the factory-set $V_{CC_TH} + V_{HYS}$. See the [Selector Guide](#) for available reset timeout options.

The MAX16140 includes a factory-programmable manual reset input (MR) that can be configured to assert a reset when it receives a rising-edge, falling-edge, active-low, or active-high input signal. The MAX16140 features an open-drain reset output and is factory programmable to either active-low or active-high reset output configurations.

The MAX16140 is specified over the -40°C to $+125^{\circ}\text{C}$ temperature range and are available in a tiny 0.78mm x 0.78mm x 0.5mm, 4-bump WLP.

Applications

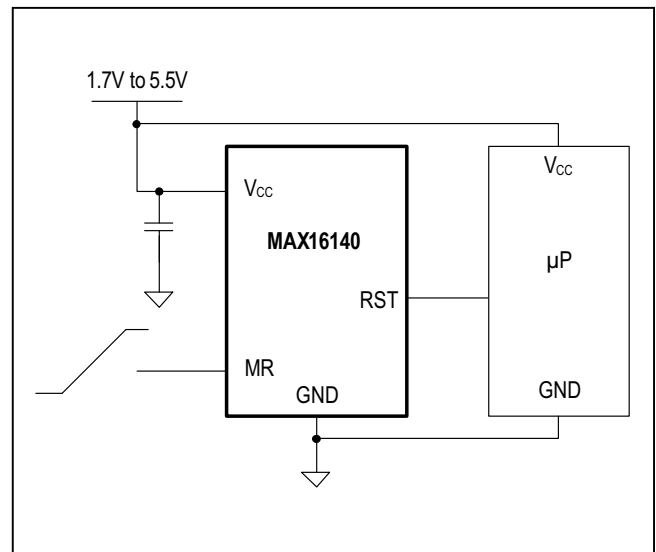
- Chargers
- Portable/Battery-Powered Equipment
- e-Readers/Tablets
- Wearable/Portable Accessories
- Smart Phones

Benefits and Features

- 370nA Quiescent Current, Extends Battery Life
- Edge/Level Trigger MR Input
- Factory-Set Reset Timeout Period
- MR Debounce Circuitry
- Factory-Set Threshold: 1.7V to 4.85V
- WLP Package
- -40°C to $+125^{\circ}\text{C}$ Temperature Range

[Ordering Information](#) appears at end of data sheet.

Simplified Block Diagram



Absolute Maximum Ratings

VCC to GND.....	-0.3V to +6V	Junction Temperature.....	+150°C
MR, RST to GND.....	-0.3V to +6V	Soldering Temperature (reflow).....	+300°C
Continuous Sink/Source Current (All Pins).....	-20mA to +20mA	Storage Temperature Range.....	-65°C to +150°C
Operating Temperature Range.....	-40°C to +125°C		

Stresses beyond those listed under "Absolute Maximum Ratings" may cause permanent damage to the device. These are stress ratings only, and functional operation of the device at these or any other conditions beyond those indicated in the operational sections of the specifications is not implied. Exposure to absolute maximum rating conditions for extended periods may affect device reliability.

Package Information

WLP

PACKAGE CODE	N40C0+1
Outline Number	21-100103
Land Pattern Number	Application Note 1891
THERMAL RESISTANCE, FOUR-LAYER BOARD:	
Junction to Ambient (θ_{JA})	104.41°C/W
Junction to Case (θ_{JC})	N/A

For the latest package outline information and land patterns (footprints), go to www.maximintegrated.com/packages. Note that a "+", "#", or "-" in the package code indicates RoHS status only. Package drawings may show a different suffix character, but the drawing pertains to the package regardless of RoHS status.

Package thermal resistances were obtained using the method described in JEDEC specification JESD51-7, using a four-layer board. For detailed information on package thermal considerations, refer to www.maximintegrated.com/thermal-tutorial.

Electrical Characteristics

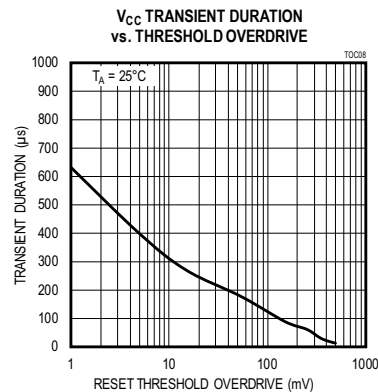
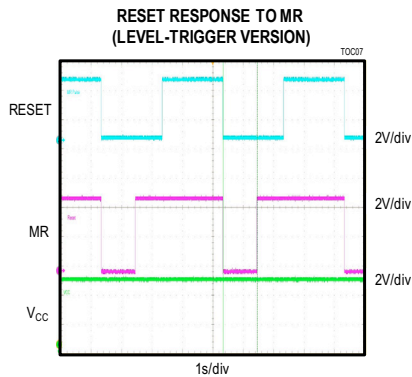
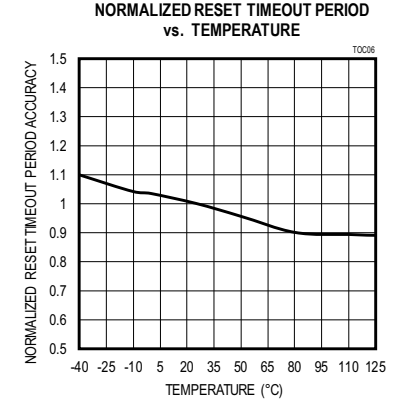
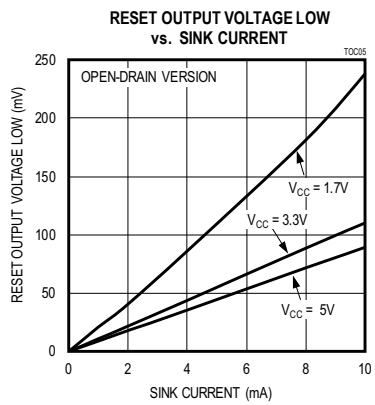
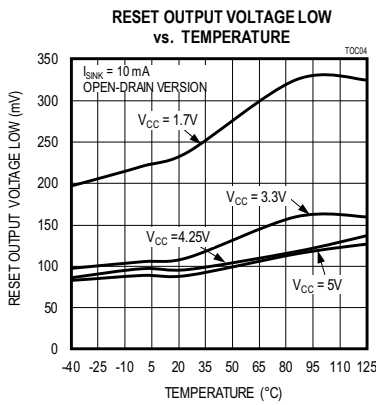
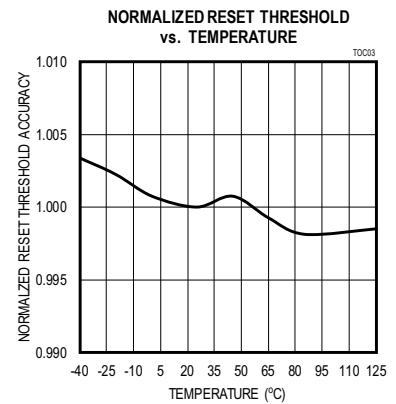
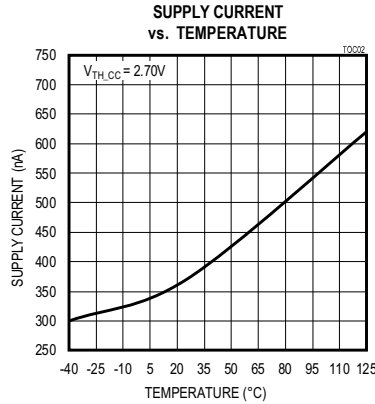
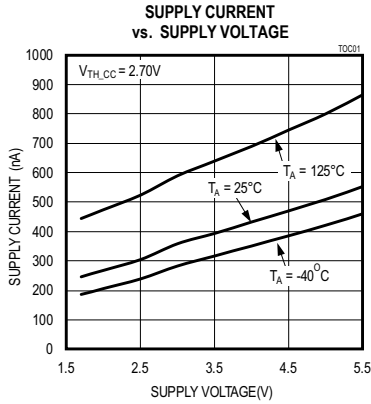
($V_{CC} = 1.7V$ to $5.5V$, $T_A = T_J = -40^{\circ}C$ to $125^{\circ}C$, unless otherwise noted. Typical Values are at $T_A = +25^{\circ}C$.)

PARAMETER	SYMBOL	CONDITIONS	MIN	TYP	MAX	UNITS
INPUT VOLTAGE						
Input Voltage Range	V_{CC}	Operating range	1.7		5.5	V
		Reset output is guaranteed to be at known state	1.5			
Supply Current	I_{CC}	$T_A = -40^{\circ}C$ to $+85^{\circ}C$, reset not asserted, $V_{CC} = V_{TH} + 10\%$		370	1200	nA
V_{CC} Threshold Accuracy	V_{TH}	V_{CC} falling	-1.5		+1.5	%
V_{CC} Threshold Resolution		Threshold range = 1.7V to 4.85V		50		mV
V_{CC} Threshold Hysteresis	V_{TH_HYS}	$V_{CC} =$ rising, $1.7V \leq V_{CC} \leq 4.85V$		36		mV
V_{CC} to Reset Output Delay	t_D	Measured with 2.5% threshold overdrive		50		μs
Reset Timeout Period Accuracy	t_{RP}	Measured from point where V_{CC} is above V_{TH} (Note 1)	-25		+25	%
RESET OUTPUT VOLTAGE						
Reset Output Voltage Low	V_{OL}	$V_{CC} = 4.25V$, $I_{SINK} = 10mA$			0.4	V
		$V_{CC} = 2.5V$, $I_{SINK} = 3.2mA$			0.4	
		$V_{CC} = 1.7V$, $I_{SINK} = 1mA$			0.4	
MANUAL RESET INPUT						
Reset Output Leakage Current (Open Drain)		$T_A = -40^{\circ}C$ to $+125^{\circ}C$			1	μA
Manual Reset Debounce Period	MR_{DB}	MR input configured as level trigger	$t_{RP} = 0.01s - 2s$	20		ms
			$t_{RP} = 310\mu s$	0.6		
MR to Reset Delay		MR configured as edge triggered input		1.1		μs
MR Input Voltage Low	V_{IL}				$0.3 \times V_{CC}$	V
MR Input Voltage High	V_{IH}		$0.7 \times V_{CC}$			V
MR Internal Pullup Resistor		MR configured as active-low input		50		k Ω
MR Internal Pulldown Resistor		MR configured as active-high input		50		

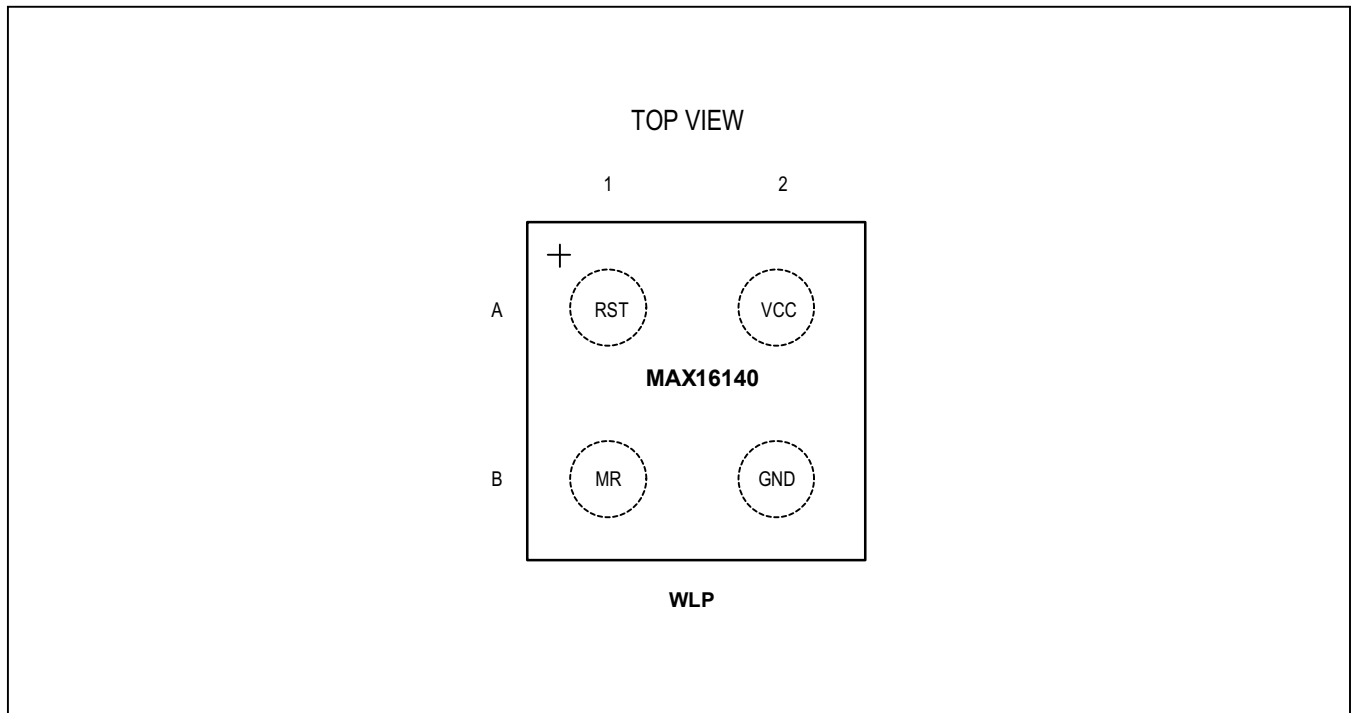
Note 1. The reset timeout period is affected by the V_{CC} rise time during power-up. For a V_{CC} rise time of $10\mu s$ or faster, the additional t_{RP} is about 8.5ms(typ).

Typical Operating Characteristics

($V_{CC} = 5V$, $T_A = 25^\circ C$, otherwise noted)



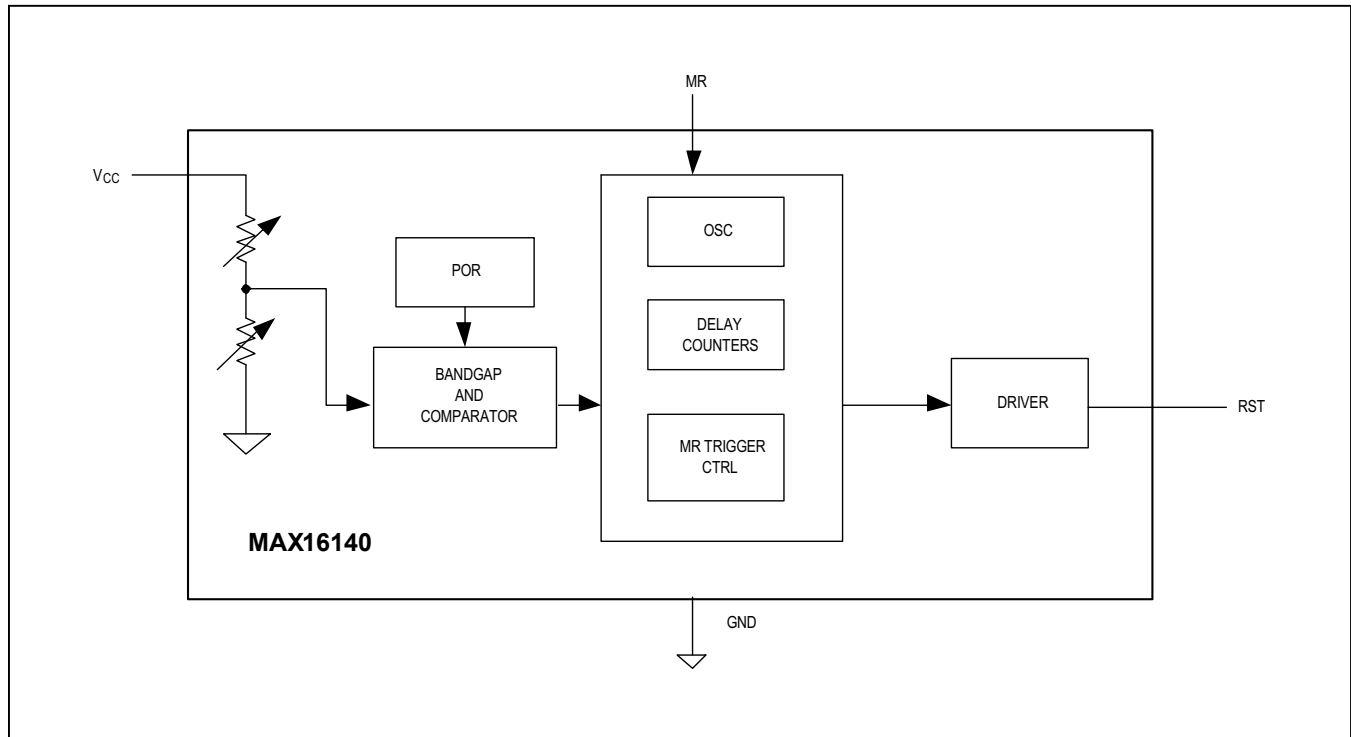
Bump Configuration



Bump Descriptions

PIN	NAME	FUNCTION
A1	RST	Reset Output. Reset asserts when V_{CC} drops below factory set threshold or when MR receives either an edge-triggered or level-triggered signal. For the open-drain version, the MAX16140, connect a pullup resistor for active-low option and a pulldown resistor for active-high option.
A2	V_{CC}	Positive Supply Input Voltage. Connect V_{CC} to the positive side of the input voltage. Bypass V_{CC} with a $0.1\mu\text{F}$ ceramic capacitor to GND.
B1	MR	Manual Reset Input. See Manual Reset Input for more details.
B2	GND	Ground

Functional Diagrams



Detailed Description

The MAX16140 is a 370nA supervisor IC that monitors the V_{CC} voltage from 1.7V to 4.85V in 50mV increments. The manual reset input is factory-programmable to assert the reset output using an edge-trigger or level-trigger input. During normal operation when the V_{CC} voltage falls below the factory-set threshold, the reset output asserts and remains asserted for the reset timeout period after the V_{CC} voltage rises above the threshold voltage. The MAX16140 features an open-drain reset output. See [Table 1](#) for more detail.

Manual Reset Input

Many μ P-based products require manual reset capability, allowing the operator, a test technician, or external logic circuit to initiate a reset. The MAX16140 features four factory-programmable manual reset input configurations. See [Table 2](#) for available options.

For the edge-triggered manual reset input configuration, the MAX16140 asserts the reset output when it senses the first falling/rising edge at MR. The MAX16140 ignores any subsequent transition on MR until after the expiration of the reset timeout period. See [Figure 1](#) and [Figure 2](#) for more detail.

For the level-trigger manual reset input configuration, the MAX16140 asserts the reset output after MR stays in active state longer than the debounce period (t_{DB}). The reset output deasserts after the reset timeout period when MR becomes inactive. See [Figure 3](#) and [Figure 4](#) for more detail.

Manual Reset Input Configurations

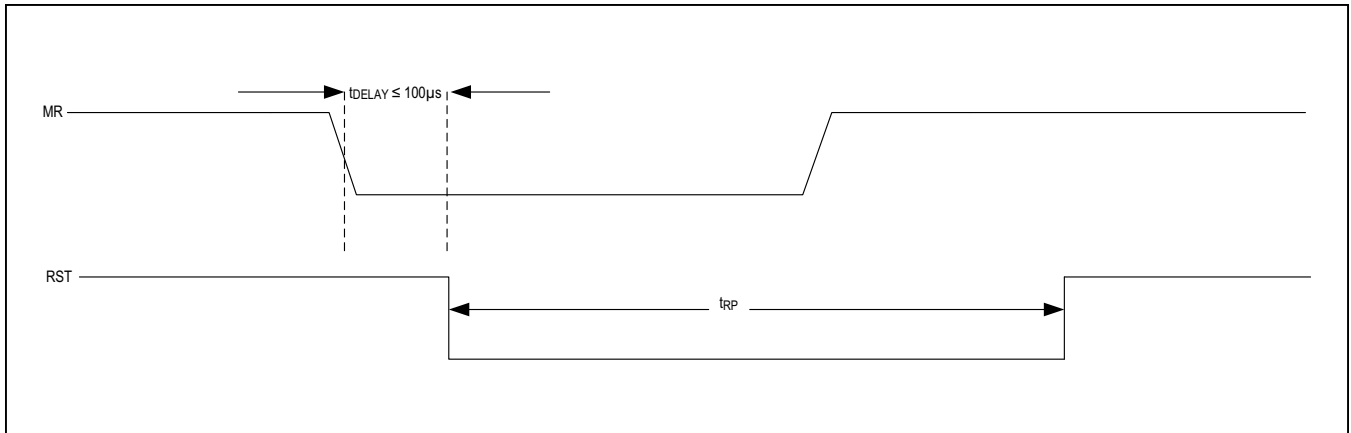


Figure 1. Falling-Edge Trigger Manual Reset Input

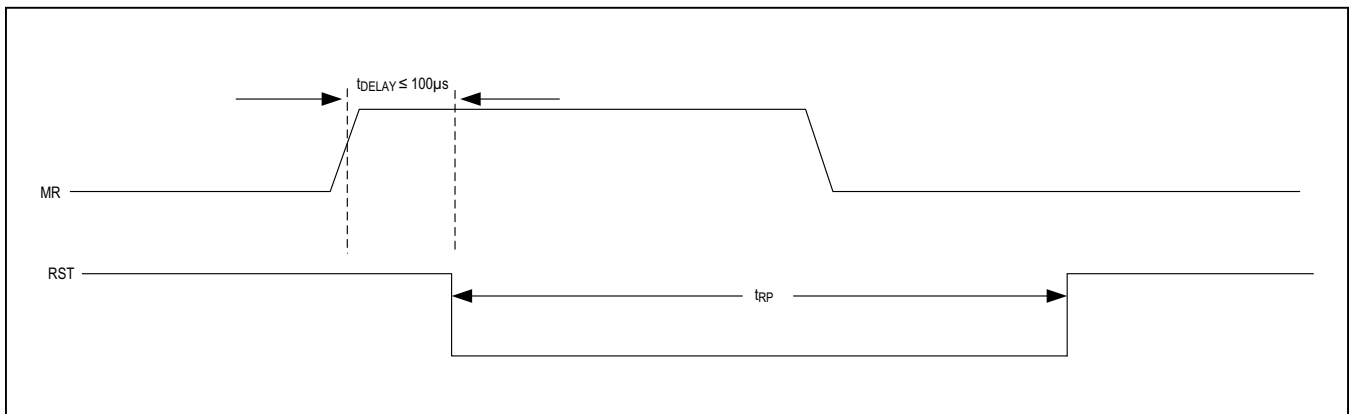


Figure 2. Rising-Edge Trigger Manual Reset Input

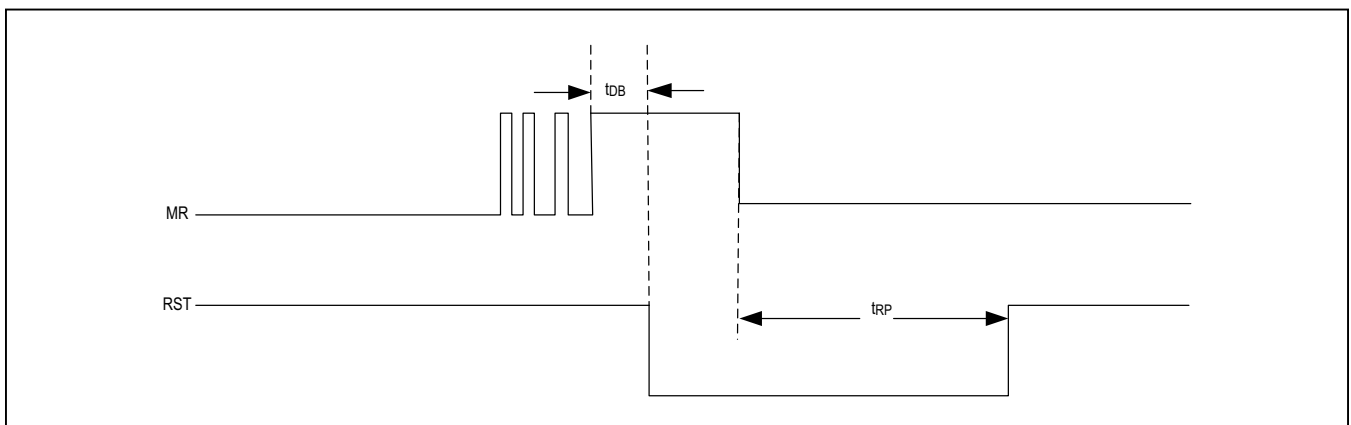


Figure 3. Active-High Trigger Manual Reset Input

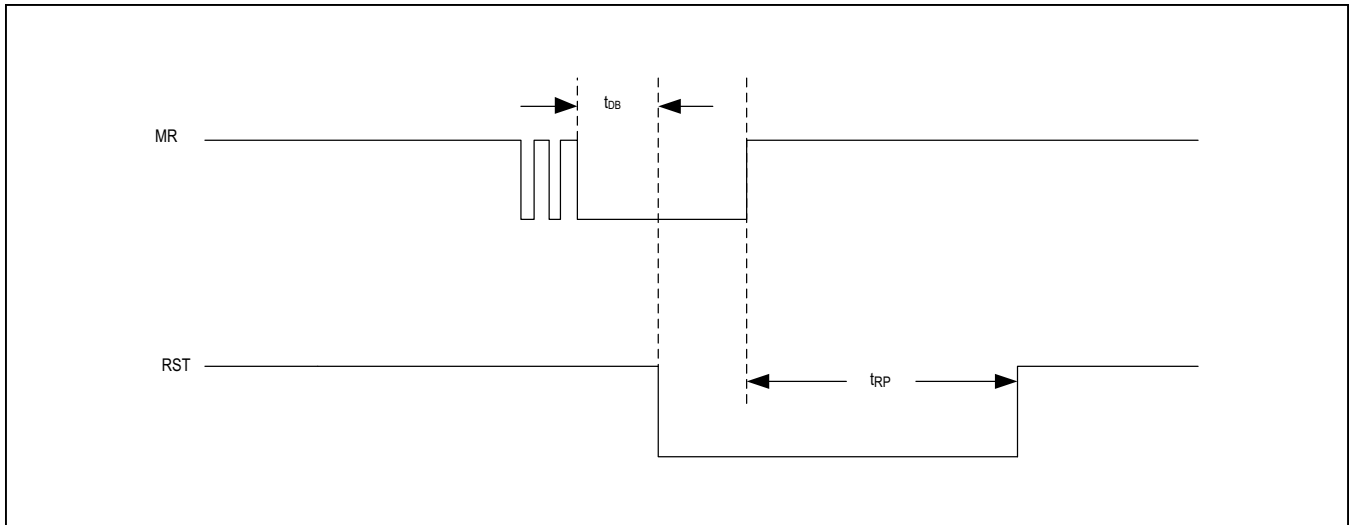


Figure 4. Active-Low Trigger Manual Reset Input

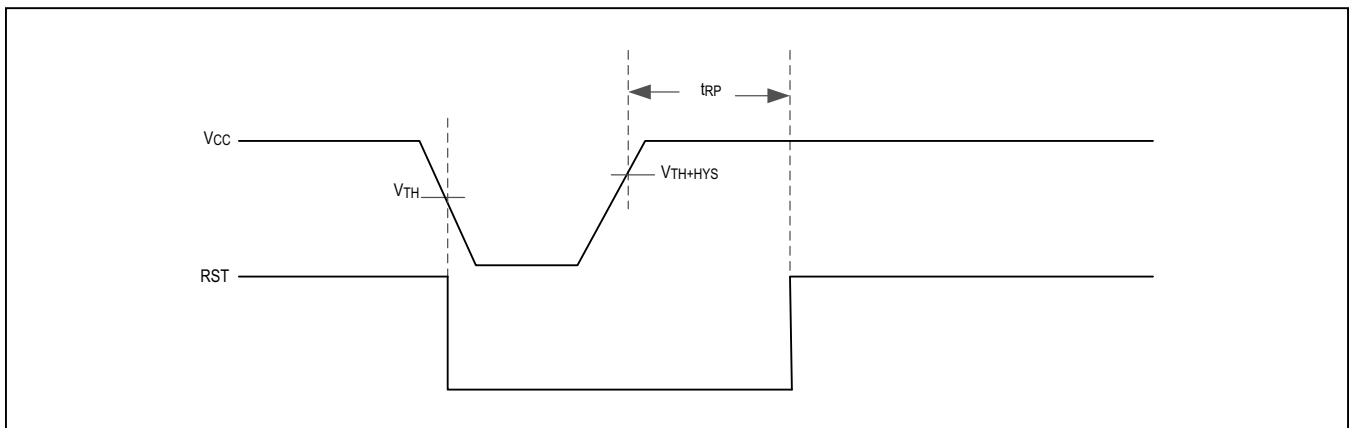


Figure 5. Reset Response to V_{CC} Rising-Edge Above Threshold Voltage + Hysteresis

V_{CC} Threshold Input

The MAX16140 monitors V_{CC} from 1.7V to 4.85V in 50mV increments. The reset output asserts when V_{CC} falls below V_{TH} . See [Table 3](#) for threshold options.

The reset output stays asserted for the reset timeout period when V_{CC} rises above $V_{TH} + V_{HYST}$. See the timing diagram in [Figure 5](#).

Reset Output

The MAX16140 μP supervisor circuit asserts a reset to prevent code execution error during power-up, power-down, and brownout conditions. For active-low reset output configuration, the reset output is guaranteed to be valid for V_{CC} down to 1.1V. For active-high reset output configuration, the reset output is guaranteed to be valid for V_{CC} down 1.5V.

The MAX16140 offers eight factory-programmable reset timeout period option from 0 to 2s. See [Table 4](#) for available options.

Applications Information

Power Supply Bypassing and Grounding

The MAX16140 operates from a 1.70V to 5.5V supply. An undervoltage lockout ensures that the outputs are in the correct states when the UVLO is exceeded. Bypass V_{CC} to ground with a 0.1 μ F capacitor as close to the device as possible. The additional capacitor improves transient immunity. For fast rising V_{CC} transients, additional capacitance may be required.

Configuration Tables

Table 1. Factory-Set Reset Output Configuration Options

SUFFIX	RESET OUTPUT CONFIG.
M	Active-Low
N	Active-High

Minimum order quantity of 10k required. Contact factory for available options.

Table 2. Factory-Set Manual Trigger Input Options

SUFFIX	MR TRIGGER INPUT
I	Falling Edge
J	Rising Edge
K	Active-Low
L	Active-High

Minimum order quantity of 10k required. Contact factory for available options.

Table 3. V_{CC} Threshold Options

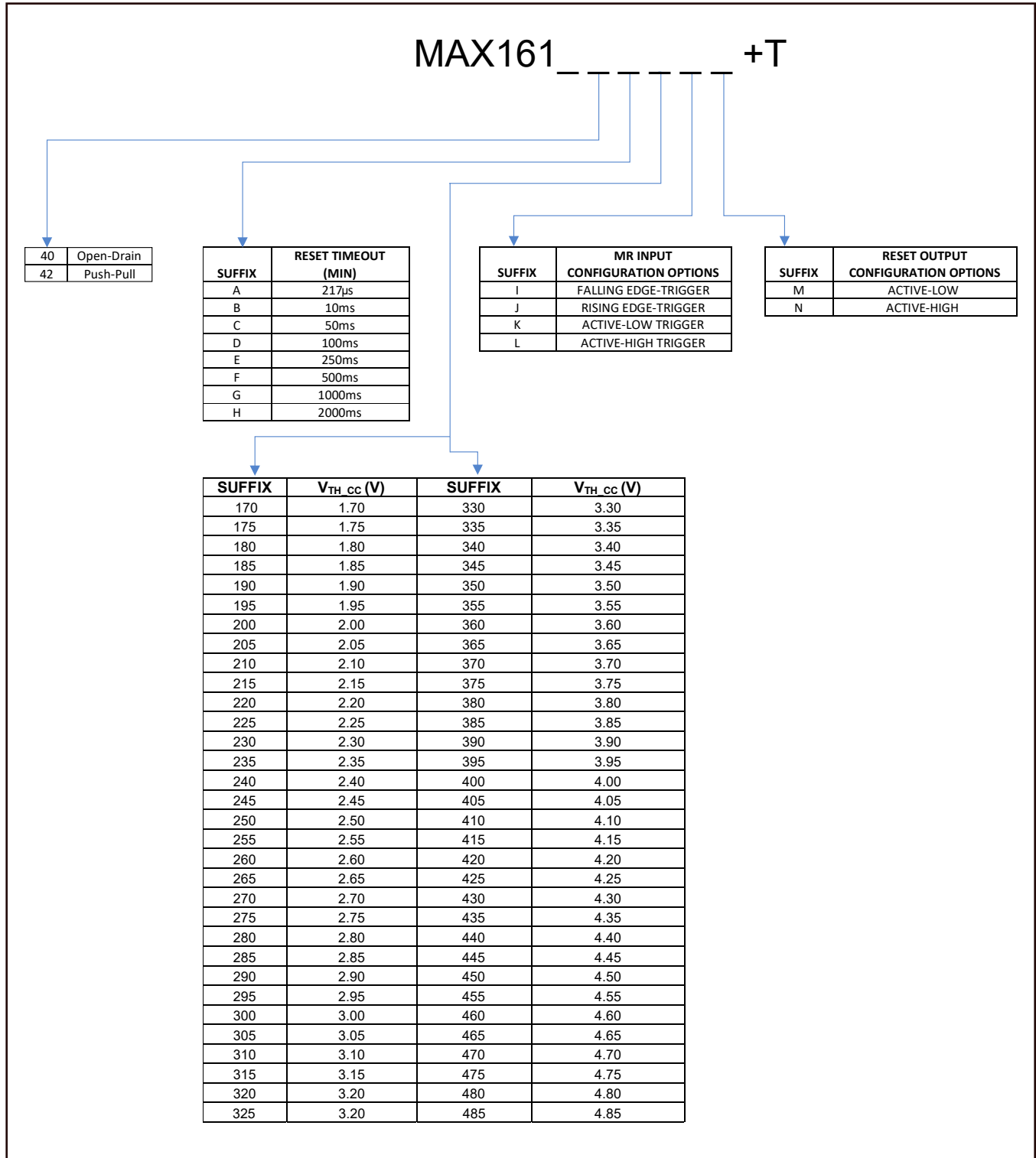
SUFFIX	V_{TH_CC} (V)	SUFFIX	V_{TH_CC} (V)
170	1.70	330	3.30
175	1.75	335	3.35
180	1.80	340	3.40
185	1.85	345	3.45
190	1.90	350	3.50
195	1.95	355	3.55
200	2.00	360	3.60
205	2.05	365	3.65
210	2.10	370	3.70
215	2.15	375	3.75
220	2.20	380	3.80
225	2.25	385	3.85
230	2.30	390	3.90
235	2.35	395	3.95
240	2.40	400	4.00
245	2.45	405	4.05
250	2.50	410	4.10
255	2.55	415	4.15
260	2.60	420	4.20
265	2.65	425	4.25
270	2.70	430	4.30
275	2.75	435	4.35
280	2.80	440	4.40
285	2.85	445	4.45
290	2.90	450	4.50
295	2.95	455	4.55
300	3.00	460	4.60
305	3.05	465	4.65
310	3.10	470	4.70
315	3.15	475	4.75
320	3.20	480	4.80
325	3.25	485	4.85

Table 4. Reset Timeout Period Options

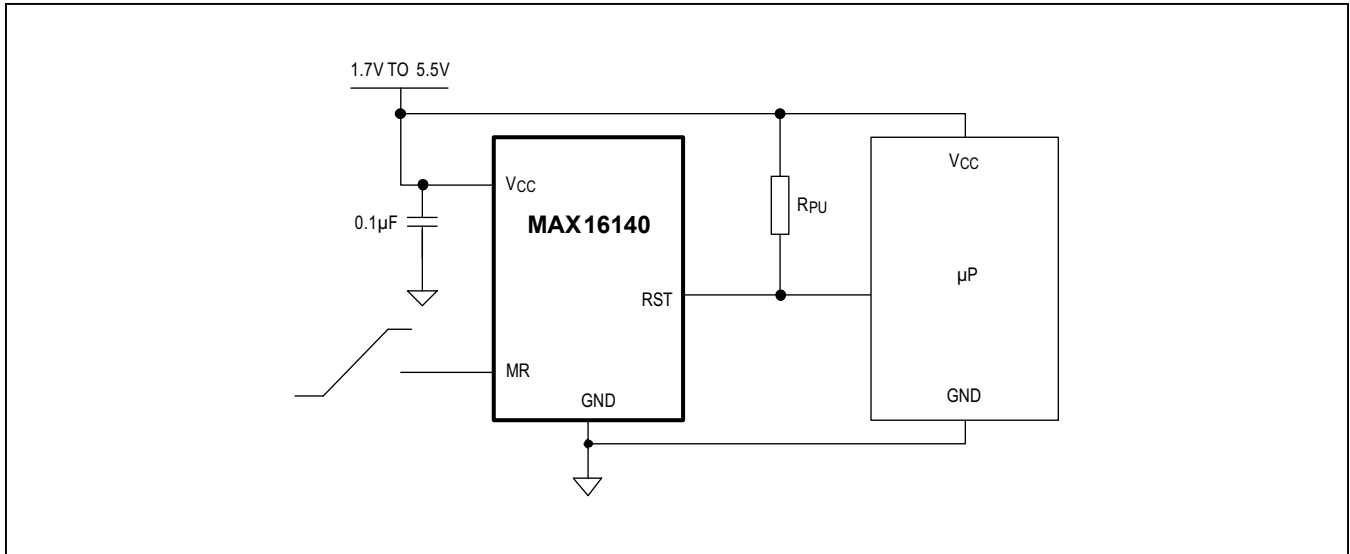
SUFFIX	RESET TIMEOUT PERIOD			UNITS
	$T_A = +25^\circ\text{C}$	$T_A = -40^\circ\text{C TO } +125^\circ\text{C}$		
	TYP	MIN	MAX	
A	0.31	0.24	0.24	μ s
B	10	7.5	12.5	ms
C	50	35.5	62.5	ms
D	100	75	125	ms
E	250	187.5	312.5	ms
F	500	475	625	ms
G	1000	750	1250	ms
H	2000	1500	2500	ms

Minimum order quantity of 10k required. Contact factory for available options.

Selector Guide



Typical Application Circuit



Ordering Information

PART NUMBER	TEMP RANGE	PIN-PACKAGE
MAX16140B220KM+T	-40°C to +125°C	4-BUMP WLP

Minimum Order Quantity: 5k
 + Denotes a lead(Pb)-free/RoHS-compliant package.
 T Denotes tape-and-reel.
 *Future product—Contact Maxim for availability.

Revision History

REVISION NUMBER	REVISION DATE	DESCRIPTION	PAGES CHANGED
0	6/17	Initial release	—
1	10/17	Updated <i>Selector Guide</i>	10
2	11/17	Corrected typo in <i>Typical Operating Characteristics</i> section	4
2.1	4/18	Updated <i>Outline Number</i> link	2

For pricing, delivery, and ordering information, please contact Maxim Direct at 1-888-629-4642, or visit Maxim Integrated's website at www.maximintegrated.com.

Maxim Integrated cannot assume responsibility for use of any circuitry other than circuitry entirely embodied in a Maxim Integrated product. No circuit patent licenses are implied. Maxim Integrated reserves the right to change the circuitry and specifications without notice at any time. The parametric values (min and max limits) shown in the Electrical Characteristics table are guaranteed. Other parametric values quoted in this data sheet are provided for guidance.