

THE INFORMATION CONTAINED HEREIN IS CONSIDERED "PROPRIETARY" TO BEL FUSE INC. AND SHALL NOT BE COPIED, REPRODUCED OR DISCLOSED WITHOUT THE WRITTEN APPROVAL OF BEL FUSE INC.

LED1 POLARITY			LED2 POLARITY		
PIN 11	PIN 12	COLOR	PIN 13	PIN 14	COLOR
+	-	GREEN	+	-	YELLOW

PRELIMINARY



**ELECTRICAL CHARACTERISTICS @ 25°C**

**URNS RATIO**

TP1	1CT : 1CT ±2%
TP2	1CT : 1CT ±2%
TP3	1CT : 1CT ±2%
TP4	1CT : 1CT ±2%

OCL @ 100kHz/100mVRMS

8mA DC BIAS 350µH MIN.

INS. LOSS

100KHz TO 125MHz -1.2 dB MAX

RET. LOSS (MIN)

0.5MHz-40MHz -18 dB  
 40MHz-100MHz -12+20LOG(f/80MHz) dB

CROSS TALK:

Ch1-Ch2, Ch1-Ch3, Ch1-Ch4, Ch2-Ch3, Ch2-Ch4, Ch3-Ch4  
 1MHz - 30MHz -35 dB MIN  
 30MHz - 80MHz -24 dB MIN  
 80Hz - 100MHz -25 dB MIN

CM TO CM REJ

100kHz - 100MHz -30 dB MIN

CM TO DM REJ

100kHz - 100MHz -35 dB MIN

HIPOT (Isolation Voltage):

1500 Vrms

LED 1

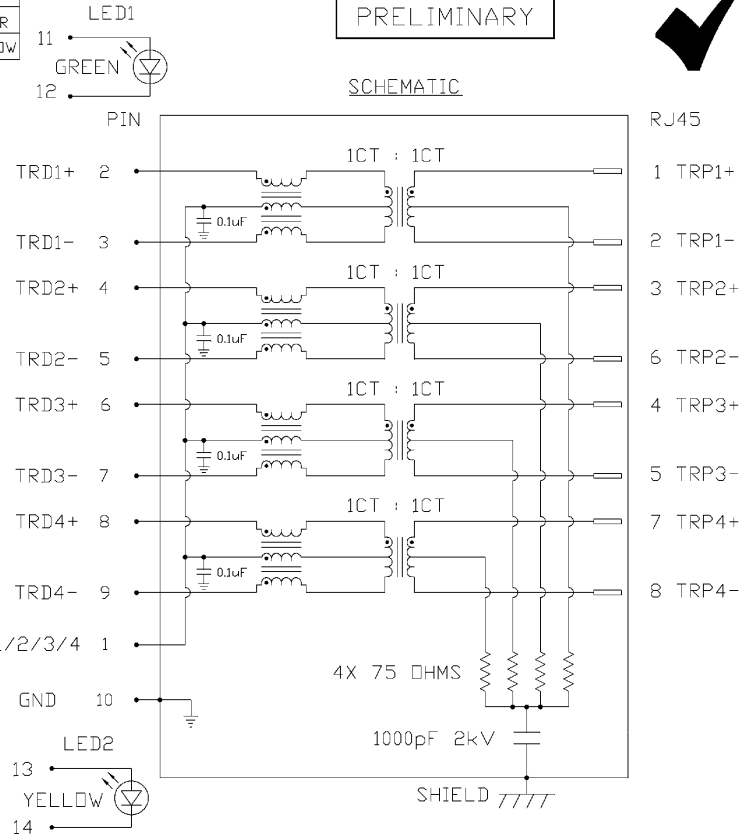
V<sub>F</sub> (FORWARD VOLTAGE) IF=20mA GREEN 2.2V TYP.

λ<sub>D</sub> (DOMINANT WAVELENGTH) IF=20mA GREEN 565nm TYP.

LED 2

V<sub>F</sub> (FORWARD VOLTAGE) IF=20mA YELLOW 2.1V TYP.

λ<sub>D</sub> (DOMINANT WAVELENGTH) IF=20mA YELLOW 590nm TYP.



ORIGINATED BY	DATE	TITLE
CHOW WC	10-17-07	Gigabit MagJack® (WITH LED)
DRAWN BY	DATE	
LEE WEIDE	10-17-07	

PART NO. / DRAWING NO.	STANDARD DIM.	[ ] METRIC DIM. AS REFERENCE
SI-61020-F	TOL. IN INCH	UNIT : INCH [mm] REV. : PA
FILE NAME		SCALE : N/A SIZE : A4
SI-61020-F_PA.DWG		PAGE : 2

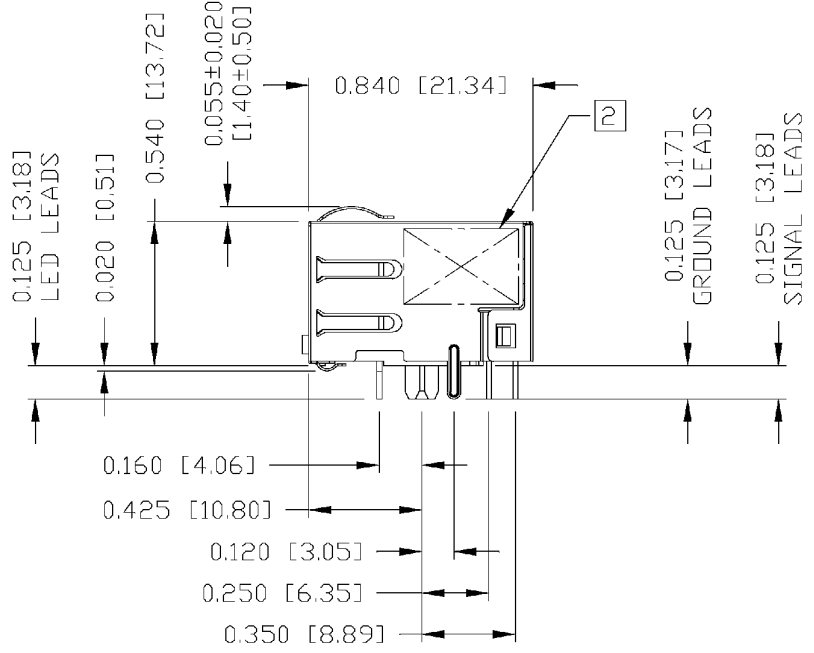
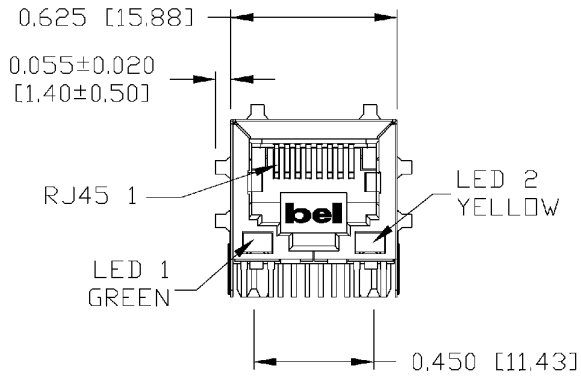
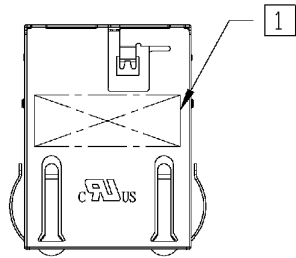
.X		
.XX		
.XXX		




THE INFORMATION CONTAINED HEREIN IS CONSIDERED "PROPRIETARY" TO BEL FUSE INC. AND SHALL NOT BE COPIED, REPRODUCED OR DISCLOSED WITHOUT THE WRITTEN APPROVAL OF BEL FUSE INC.



PRELIMINARY



NOTES:

- PLASTIC HOUSING: THERMOPLASTIC PBT  
FLAMMABILITY RATING UL 94V-0
- CONTACTS PLATING: 50 MICRO-INCH HARD GOLD PLATING
- PINS: TIN-COATED COPPER WIRE, DIA 0.018 INCH.
- METAL SHIELD: NICKEL PLATED ON COPPER ALLOY.  
(ALL GROUND LEADS ARE SOLDER DIPPED)

- 1 MARK PART WITH MFG PART NUMBER (SI-61020-F), DATE CODE.
- 2 MARK PART WITH MFG LOGO, MFG NAME.
- 3. JACK CAVITY CONFORMS TO FCC RULES AND REGULATIONS
- 4. RoHS COMPLIANCE, PER EU DIRECTIVE 2002/95/EC.

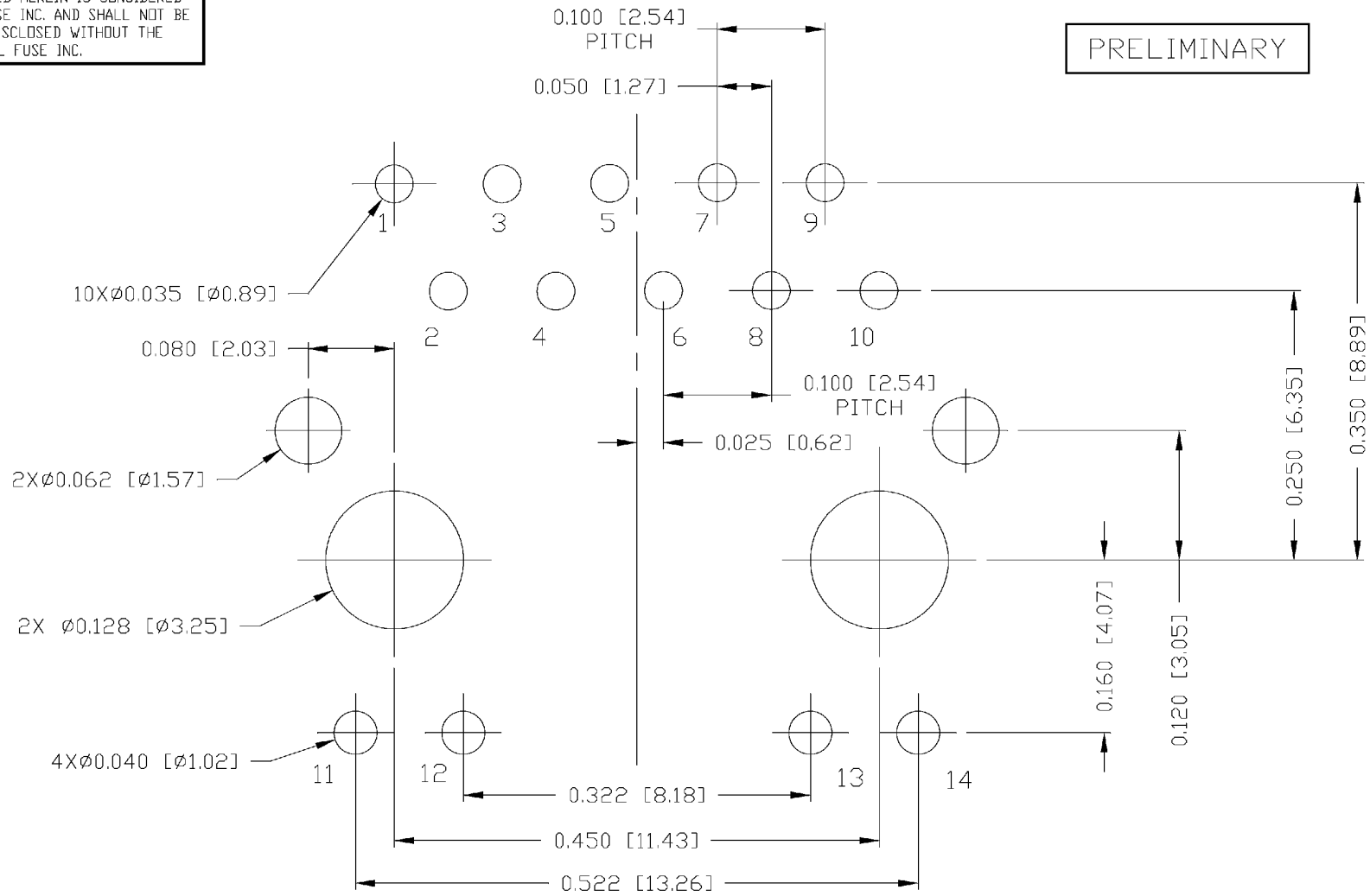
c UL RECOGNIZED - FILE #E132408.

ORIGINATED BY LIU QIN	DATE 10-17-07	TITLE Gigabit MagJack® (WITH LED)	PART NO. / DRAWING NO. SI-61020-F	STANDARD DIM. TOL. IN INCH	[ ] METRIC DIM. AS REFERENCE		 COMPONENTS FOR A CONNECTED PLANET
DRAWN BY CHEN TING	DATE 10-17-07		FILE NAME SI-61020-F_PA.DWG	.X	UNIT : INCH [mm]	REV. : PA	
			.XX	SCALE : N/A	SIZE : A4		
			.XXX ±0.010		PAGE : 3		

THE INFORMATION CONTAINED HEREIN IS CONSIDERED "PROPRIETARY" TO BEL FUSE INC. AND SHALL NOT BE COPIED, REPRODUCED OR DISCLOSED WITHOUT THE WRITTEN APPROVAL OF BEL FUSE INC.



PRELIMINARY



RECOMMENDED PCB FOOTPRINT  
COMPONENT SIDE VIEW

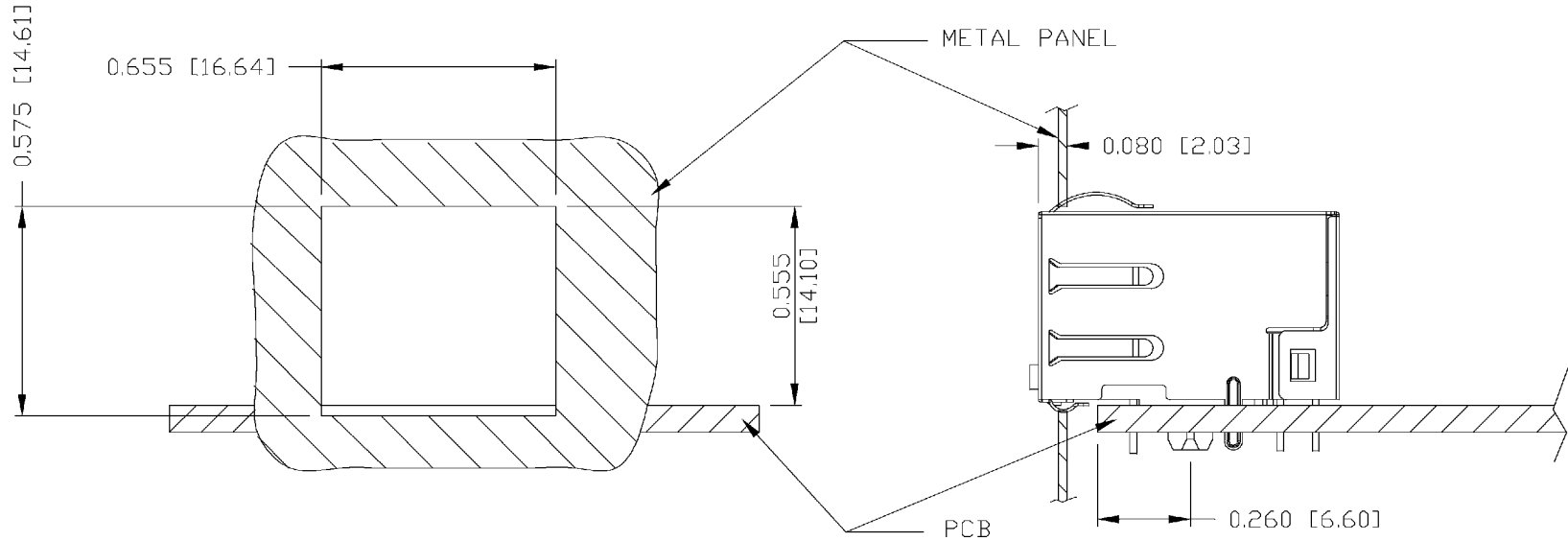
ORIGINATED BY LIU QIN	DATE 10-17-07	TITLE Gigabit MagJack® (WITH LED)	PART NO. / DRAWING NO. SI-61020-F	STANDARD DIM. TOL. IN INCH	[ ] METRIC DIM. AS REFERENCE
DRAWN BY CHEN TING	DATE 10-17-07		FILE NAME SI-61020-F_PA.DWG	.X .XX .XXX	UNIT : INCH [mm] SCALE : N/A



THE INFORMATION CONTAINED HEREIN IS CONSIDERED "PROPRIETARY" TO BEL FUSE INC. AND SHALL NOT BE COPIED, REPRODUCED OR DISCLOSED WITHOUT THE WRITTEN APPROVAL OF BEL FUSE INC.

SUGGESTED PANEL OPENING

PRELIMINARY



NOTES:

THE DISTANCE OF PANEL INSIDE SURFACE RELATIVE TO FRONT SURFACE OF PART IS ONLY A SUGGESTION. IN CASE THIS DISTANCE IS DIFFERENT, THE REQUIRED PANEL OPENING DIMENSIONS CHANGE ACCORDINGLY.

PACKING INFORMATION

PACKING TRAY : 0200-9999-Q7 (TOP)

0200-9999-Q8 (BOTTOM)

PACKING QUANTITY : 80 PCS FINISHED GOODS PER TRAY

10 TRAYS (800 PCS FINISHED GOODS) PER CARTON BOX

NOTE : CARDBOARDS ARE PLACED BETWEEN LAYERS OF PACKING TRAY INSIDE CARTON BOX (INCLUDE THE UPPERMOST AND LOWERMOST TRAY)

ORIGINATED BY LIU QIN	DATE 10-17-07	TITLE Gigabit MagJack® (WITH LED)	PART NO. / DRAWING NO. SI-61020-F	STANDARD DIM. TOL. IN INCH	[ ] METRIC DIM. AS REFERENCE	 COMPONENTS FOR A CONNECTED PLANET
DRAWN BY CHEN TING	DATE 10-17-07		FILE NAME SI-61020-F_PA.DWG	.X	UNIT : INCH [mm]	
			.XX	SCALE : N/A	SIZE : A4	
			.XXX	±0.004	PAGE : 5	