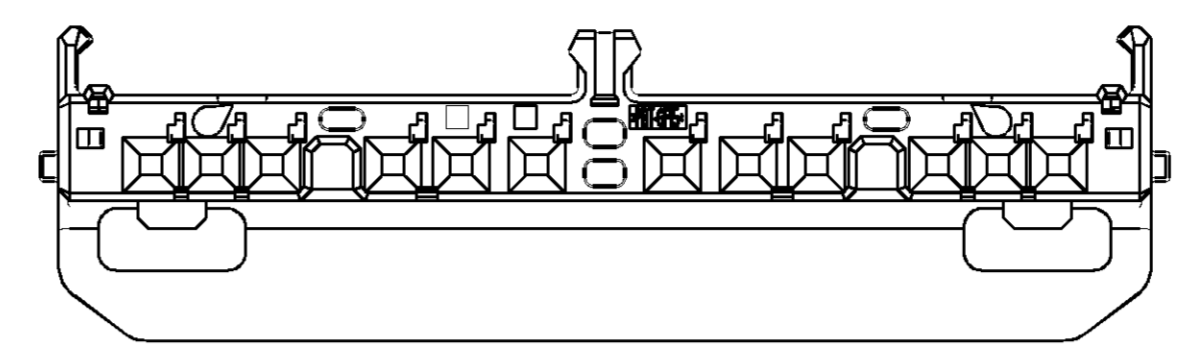
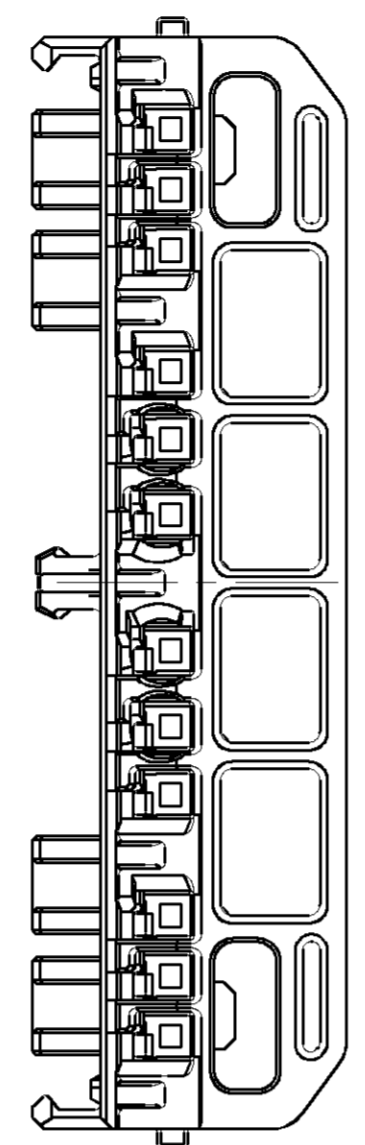
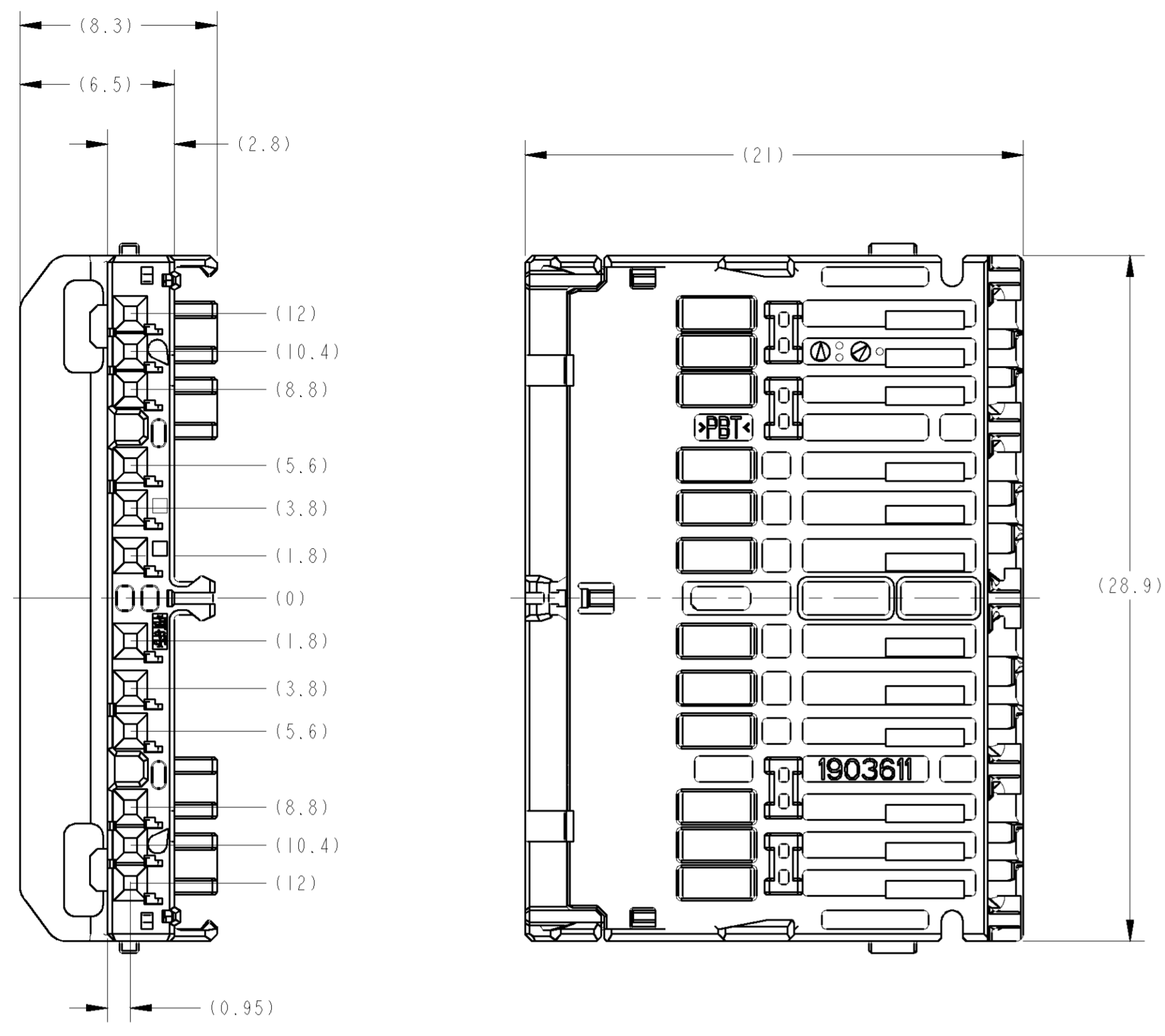
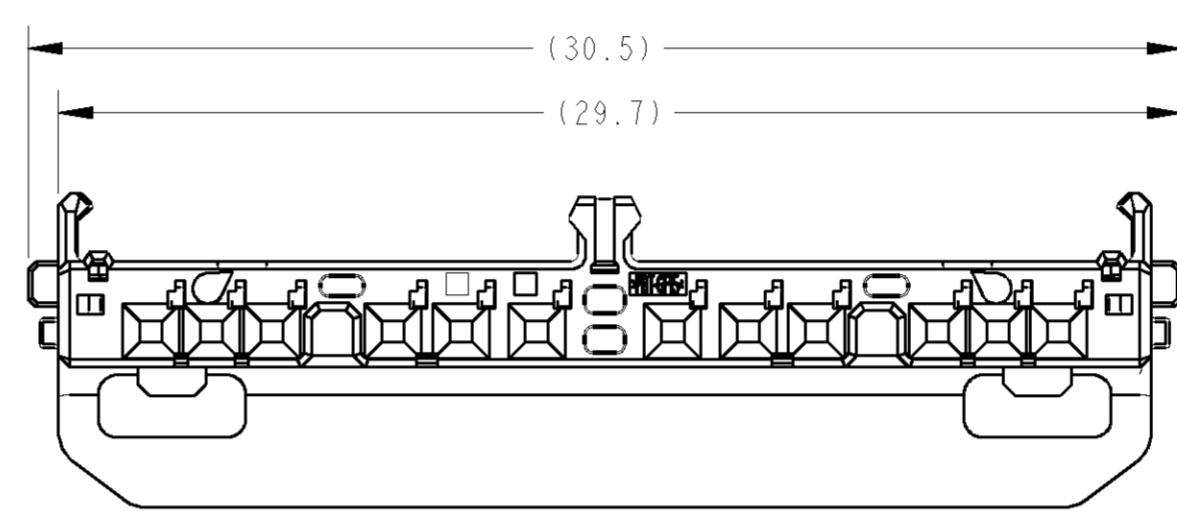


-1: AS SHOWN  
 -1: 本図

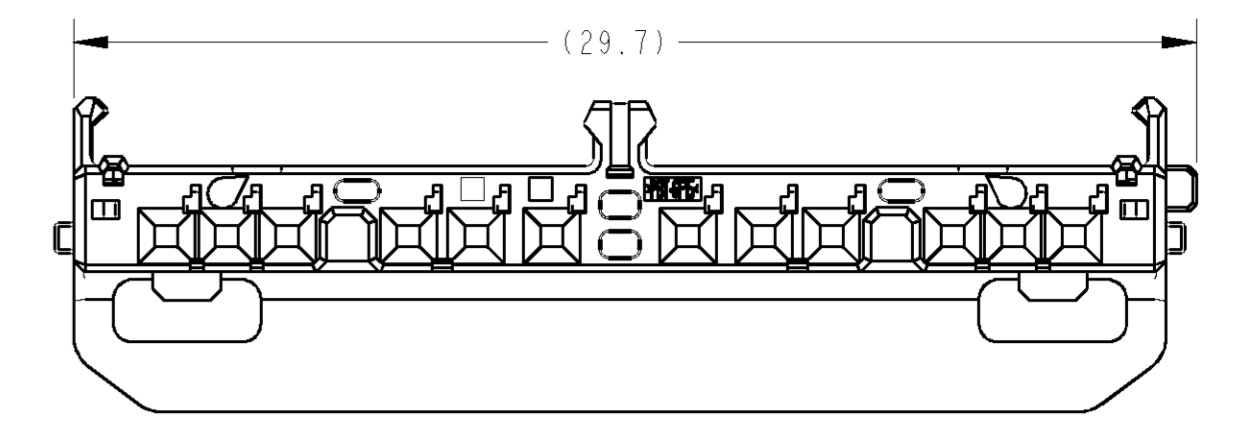
| REV. LIST |         | REVISIONS   |         |     |      |
|-----------|---------|-------------|---------|-----|------|
| NO.       | DATE    | DESCRIPTION | DATE    | OWN | APVD |
| A         | 09DEC08 | RELEASED    | 09DEC08 | KK  | HY   |
| A1        | 07SEP12 | REVISED     | 07SEP12 | KK  | HY   |



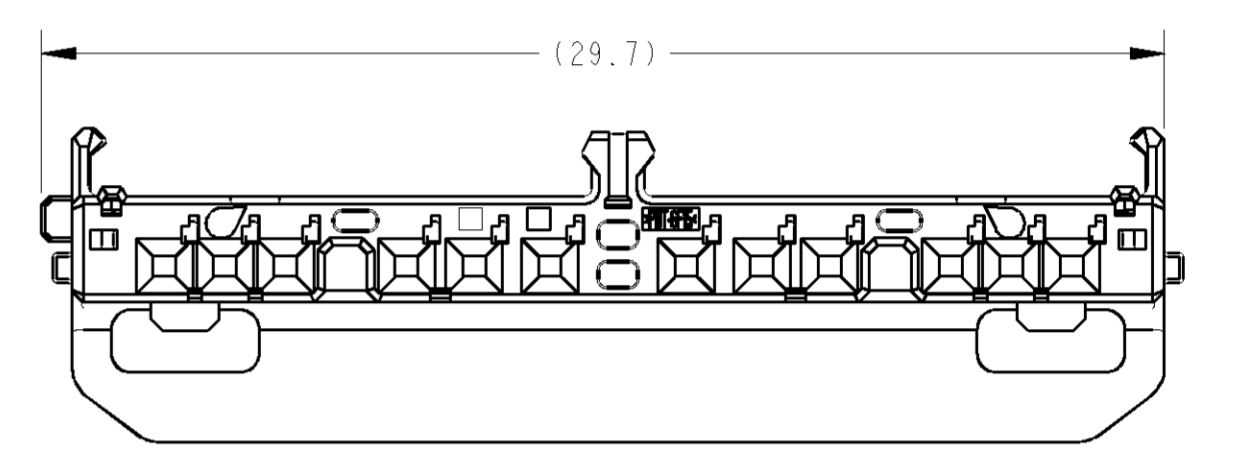
1903611-4  
 1-1903611-0  
 1-1903611-6



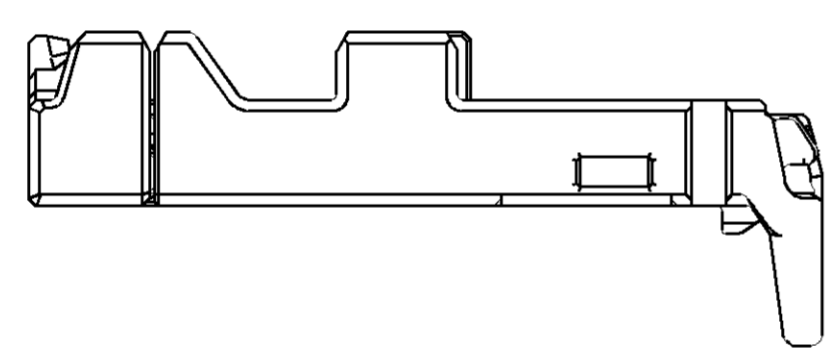
2-1903611-5  
 2-1903611-6



1903611-5  
 1-1903611-1  
 1-1903611-7



1903611-6



- 本製品は、別番のコンポーネントと組合せて使用する。
  - 取扱説明書 NO: 411-78268, 78269
  - 組合せ相手型番: 取扱説明書を参照のこと。
  - 組合相手代表型番: 取扱説明書を参照のこと。
  - 適用端子: TABLE-1 参照
- THIS PRODUCT IS USED STACK WITH ANOTHER COMPONENTS.
  - HANDLING OF THIS PART SHOULD FOLLOW INSTRUCTION SHEET NO.411-78268,78269.
  - COMPONENTS NUMBER OF STACKING;REFERENCE TO INSTRUCTION SHEET.
  - MATING CONNECTOR PART(TYPICAL);REFERENCE TO INSTRUCTION SHEET.
  - APPLIED TERMINAL;SEE TABLE-1

| SIGNAL | APPLIED TERMINAL P/N |           | APPLICABLE WIRE RANGE   |
|--------|----------------------|-----------|-------------------------|
|        | TIN                  | 適用端子 P/N  |                         |
| 0.5    | TIN                  | 1827855-4 | 0.13-0.5mm <sup>2</sup> |
|        | TIN                  | 1827855-1 |                         |
|        | GOLD                 | 1903703-1 |                         |
|        | TIN                  | 1827855-2 |                         |
|        | TIN                  | 1827855-3 |                         |

| PACKING STYLE | COLOR       | PART NO. |
|---------------|-------------|----------|
|               |             |          |
| BLACK         | 2-1903611-6 |          |
| NATURAL       | 2-1903611-5 |          |
| GRAY          | 1-1903611-7 |          |
|               | 1-1903611-6 |          |
|               | 1-1903611-5 |          |
|               | 1-1903611-4 |          |
|               | 1-1903611-3 |          |
| BLACK         | 1-1903611-1 |          |
|               | 1-1903611-0 |          |
|               | 1-1903611-2 |          |
| NATURAL       | 1903611-6   |          |
|               | 1903611-5   |          |
|               | 1903611-4   |          |
|               | 1903611-3   |          |
|               | 1903611-2   |          |
| 1903611-1     |             |          |

THIS DRAWING IS A CONTROLLED DOCUMENT.

OWN: K. KATO 09DEC08  
 CHK: R. KOMIYAMA 09DEC08  
 APVD: H. YAMAGAMI 09DEC08

DIMENSIONS: 0.5mm  
 TOLERANCES UNLESS OTHERWISE SPECIFIED:  
 0-PLC ±0.3  
 1-PLC ±0.5  
 2-PLC ±0.75  
 3-PLC ±1.0  
 4-PLC ±1.5  
 ANGLES 10-0001

MATERIAL: PBT  
 FINISH: SEE TABLE

WEIGHT: 1.29 g

SIZE: A1  
 CASE CODE: 00779  
 DRAWING NO: 1903611

PRODUCT SPEC: 108-78437, 78438  
 APPLICATION SPEC: 108-78437, 78438

SCALE: 5:1

TE Connectivity  
 0.5 12POSITION HOUSING ASSY  
 STACKING TYPE

CUSTOMER DRAWING