

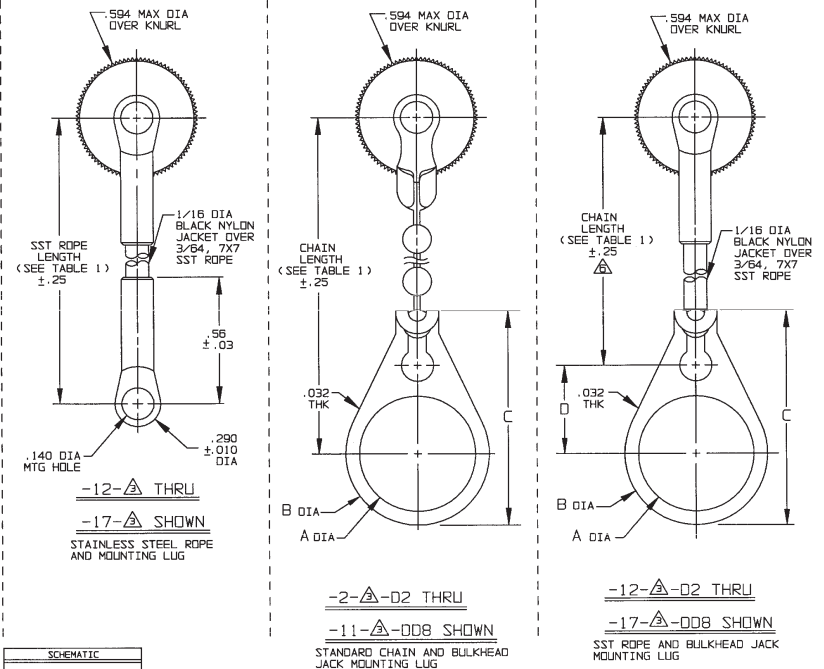
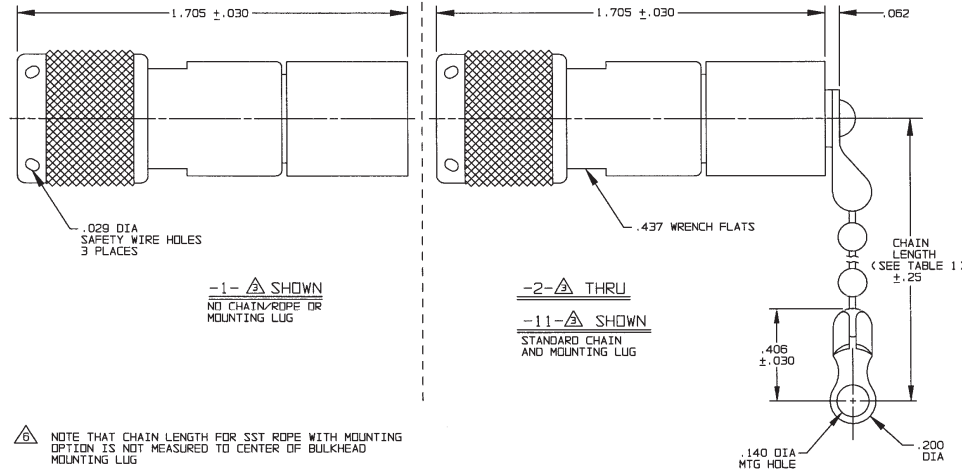
RED INDICATES ORIGINAL

DATA CONTAINED IN THIS DOCUMENT IS PROPRIETARY TO TROMPETER ELECTRONICS, INC. AND SHALL NOT BE DISCLOSED, REPRODUCED OR USED FOR RE-ENGINEERING OR ANALYSIS WITHOUT EXPRESS WRITTEN PERMISSION.				REVISIONS		310-0049	SH IC
REV	ED	DESCRIPTION	DWN	APPROVED	DATE		
G	132511	UPDATED TABLE 2; SEE ECD			5/17/70		

TABLE 1	
DASH NO	DESCRIPTION
-1	TERM (NO CHAIN)
-2	TERM WITH 2.50 BRASS CHAIN
-3	TERM WITH 2.50 NYLON CHAIN
-4	TERM WITH 3.00 BRASS CHAIN
-5	TERM WITH 3.00 NYLON CHAIN
-6	TERM WITH 6.00 BRASS CHAIN
-7	TERM WITH 6.00 NYLON CHAIN
-8	TERM WITH 4.00 BRASS CHAIN
-9	TERM WITH 4.00 NYLON CHAIN
-10	TERM WITH 10.00 BRASS CHAIN
-11	TERM WITH 10.00 NYLON CHAIN
-12	TERM WITH 2.50 JACKETED SST ROPE
-13	TERM WITH 3.00 JACKETED SST ROPE
-14	TERM WITH 6.00 JACKETED SST ROPE
-15	TERM WITH 4.00 JACKETED SST ROPE
-16	TERM WITH 7.00 JACKETED SST ROPE
-17	TERM WITH 4.50 JACKETED SST ROPE

TABLE 2			
DASH NO	*A* DIA	*B* DIA	*C* DIM
-01	.755	.875	1.191
-02	.630	.750	1.066
-03	.505	.625	.941
-04	.439	.562	.878
-05	.380	.500	.816
-06	.317	.437	.753
-07	.281	.406	.722
-08	.610	.750	1.066
-09	.567	.687	1.003
-10	.192	.312	.628
-11	1.005	1.125	1.441
-12	.330	.450	.766

INCH	MM	INCH	MM	INCH	MM	INCH	MM	INCH	MM
.005	0.13	.290	7.37	.439	11.15	.638	16.21	1.066	27.08
.010	0.25	.294	7.47	.450	11.43	.687	17.45	1.125	28.58
.029	0.74	.300	7.62	.500	12.70	.722	18.34	1.191	30.25
.030	0.76	.312	7.92	.505	12.83	.750	19.05	1.441	36.60
.032	0.81	.317	8.05	.513	13.03	.753	19.13	1.705	43.31
.062	1.57	.325	8.26	.56	14.22	.755	19.18	2.50	63.50
.140	3.56	.330	8.38	.562	14.27	.766	19.46	3.00	76.20
.192	4.88	.350	9.04	.567	14.40	.816	20.73	4.00	101.60
.200	5.08	.380	9.65	.594	15.09	.875	22.23	4.50	114.30
.231	5.87	.388	9.86	.610	15.49	.878	22.30	6.00	152.40
.25	6.35	.406	10.31	.625	15.86	.941	23.90	7.00	177.80
.278	7.06	.419	10.64	.628	15.95	1.003	25.48	10.00	254.00
.281	7.14	.437	11.10	.630	16.00	1.005	25.53		

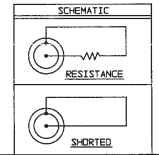


NOTE THAT CHAIN LENGTH FOR SST ROPE WITH MOUNTING OPTION IS NOT MEASURED TO CENTER OF BULKHEAD MOUNTING LUG

EXAMPLE OF COMPLETE MODEL NO:
 BASIC MODEL NO:
 TMT1 = W/O SAFETY WIRE HOLES
 TMTS1 = W/SAFETY WIRE HOLES
 BULKHEAD JACK MOUNTING LUG (OPTIONAL) AVAILABLE WITH BRASS, OR NYLON CHAIN, & SST ROPE (SEE TABLES 1, & 2)
 DASH NO. FOR CHAIN/ROPE MATL & LENGTH (SEE TABLE 1)

CONCENTRIC TWIAX/TRIAX THREADED TERMINATION PLUG
 RESISTANCE VALUE IN OHMS (1/2W, 1/2)
 S = CENTER CONTACT SHORTED TO INTERMEDIATE CONTACT (NO RESISTOR)
 0 = NO RESISTOR, CONTACT NOT SHORTED, AND CONNECTOR IS SUPPLIED LOOSELY ASSEMBLED (CUSTOMER TO COMPLETE THE ASSEMBLY) NOTE: FOR SPECIAL RESISTOR VALUES, SEE DWG 315-0037

FINISH: TFS-1A (NICKEL)
 ALL DIM ARE IN INCHES



QTY	DESCRIPTION	PART NUMBER	ITEM
TOL UNLESS SPECIFIED			
IN ± .005			
MM ± .002			
ANGLES			
DWN	ECD	2-7-00	
CHK	5/19/70		
ENGR			
APPR			
MATERIAL		CODE IDENT	DRAWING NO.
14949		310-0049	REV
SCALE 4:1		DATE 9/4/80	SHEET 1C