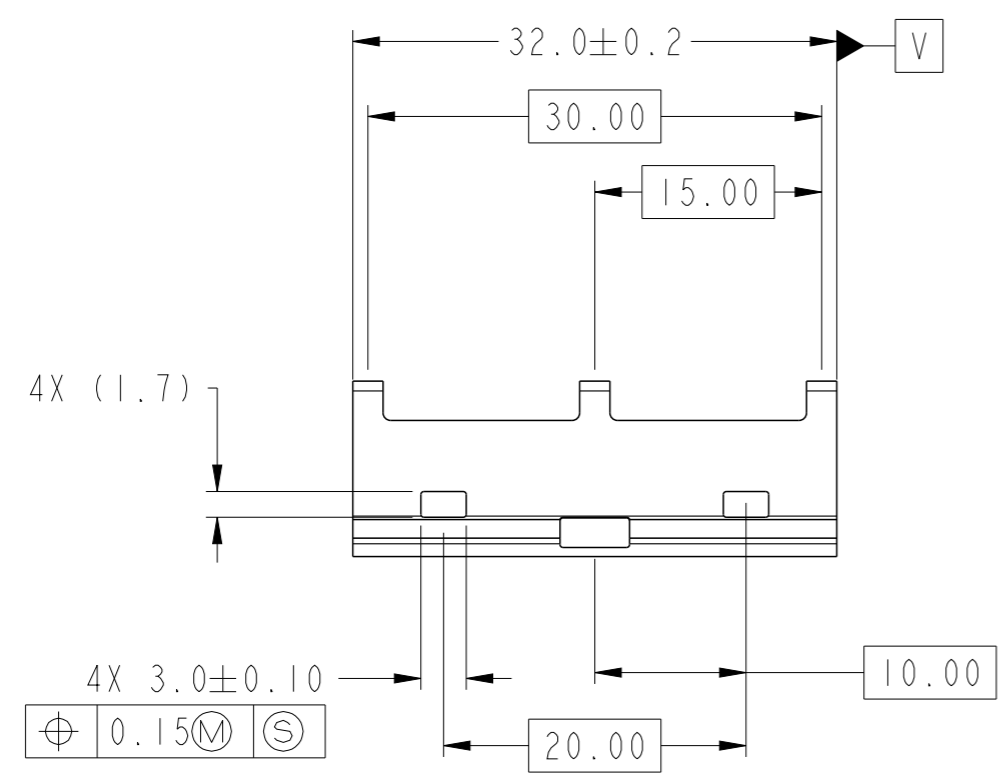
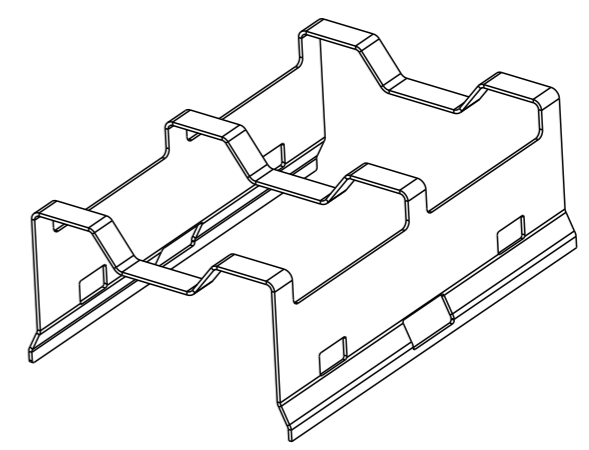
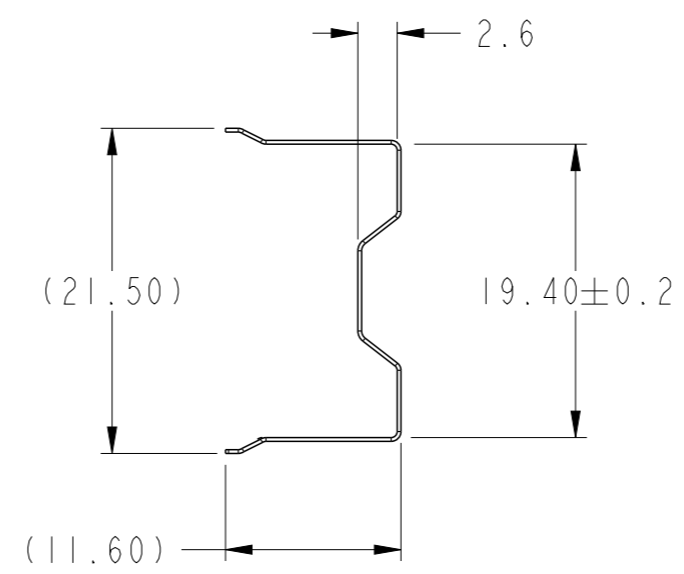
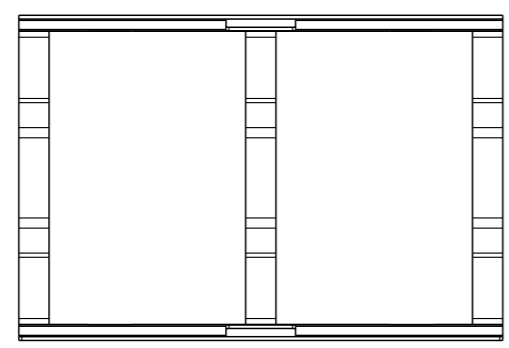


PART NUMBER
10099116-001LF



NOTES:

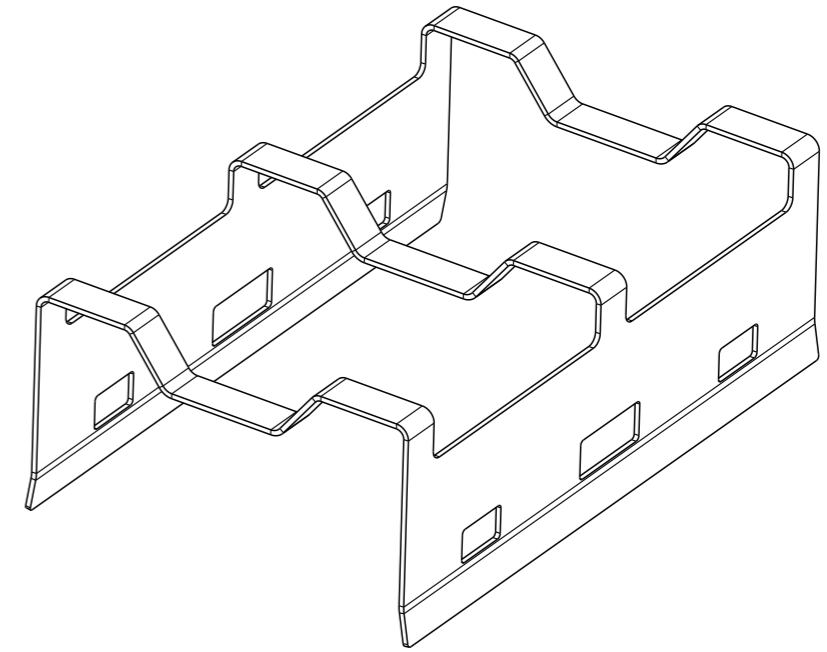
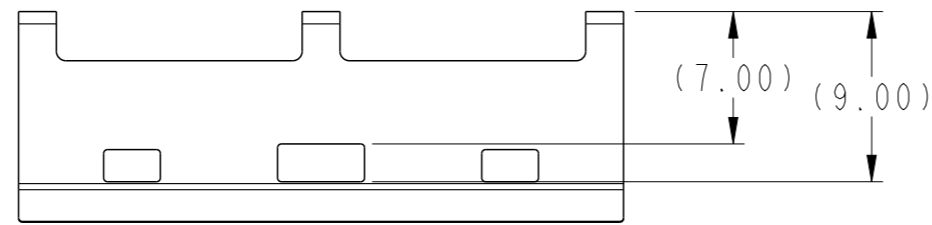
1. MATERIAL: COPPER ALLOY, NICKEL PLATED
2. PRODUCT SPECIFICATION: GS-12-622
3. APPLICATION SPECIFICATION: GS-20-126
4. PRODUCT MEETS EUROPEAN UNION DIRECTIVES AND OTHER COUNTRY REGULATIONS AS DESCRIBED IN GS-22-008.



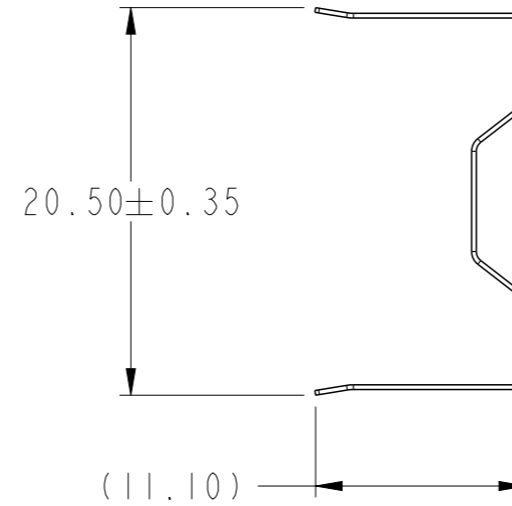
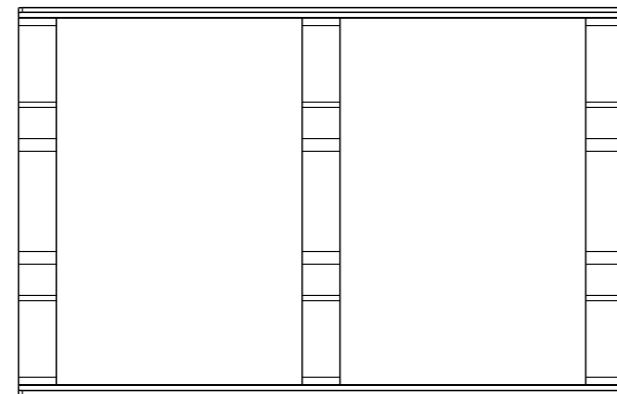
Copyright FCI.

spec ref	-	dr	Andy Zhang	2010/11/03	projection	mm	size	A3	scale	2:1	
tolerance std	ASME Y14.5	eng	Art Lin	2015/05/22			ecn no	ELX-DG-20151-1			
	TOLERANCES UNLESS OTHERWISE SPECIFIED	chr	-	rel level			Released				
surface	✓	appr	Pei-Ming Zheng	2015/05/24	product family	QSFP	rel level	Released			
	linear	0.X	±0.20		QSFP HEATSINK CLIP		dwg no	10099116		rev	B
		0.XX	±0.10		QSFP CAGE ASSEMBLY						
	angular	0°	±°		www.fci.com	cat. no.	-	Product - Customer Drw	sheet 1 of 2		

PART NUMBER
10099116-002LF



SCALE 3:1



THE OTHER DIMENSIONS ARE SAME TO 10099116-001LF

spec ref	-	dr	Andy Zhang	2010/11/03	projection	mm	size	A3	scale	2:1		
tolerance std	ASME Y14.5	eng	Art Lin	2015/05/22			ecn no	ELX-DG-20151-1				
	TOLERANCES UNLESS OTHERWISE SPECIFIED	chr	-	-			rel level	Released				
surface	✓	appr	Pei-Ming Zheng	2015/05/24	product family	QSFP	rel level	Released				
	ASME Y14.5	linear	0.X	±0.20		QSFP HEATSINK CLIP QSFP CAGE ASSEMBLY	dwg no	10099116		rev	B	
			0.XX	±0.10			www.fci.com	cat. no.	-	Product - Customer Drw	sheet 2 of 2	
		angular	0°	±°								



Copyright FCI.