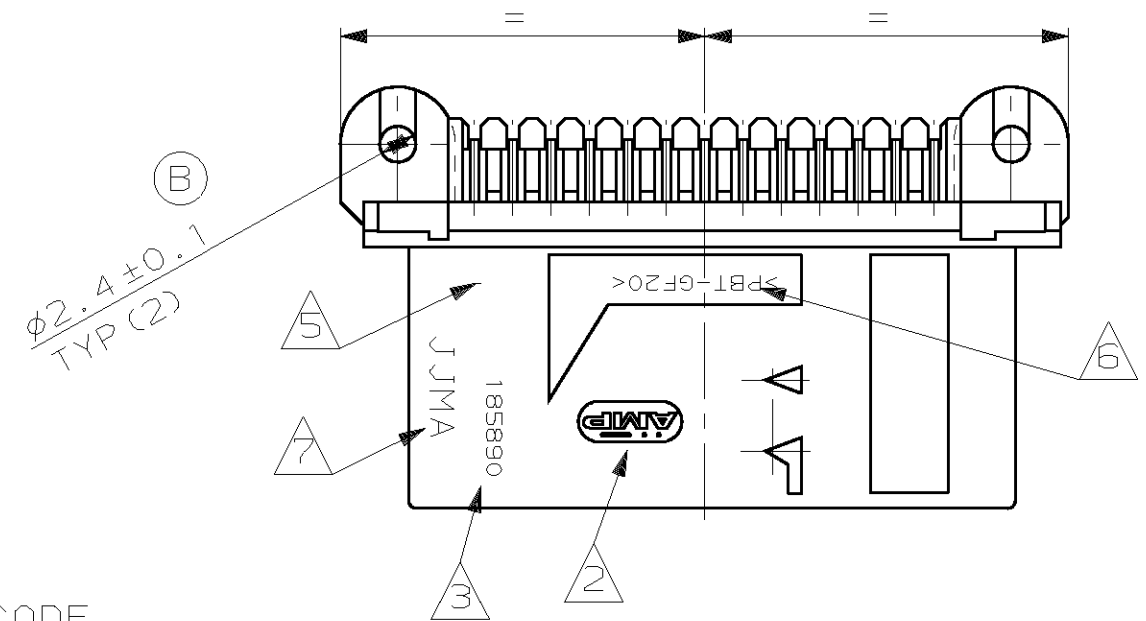
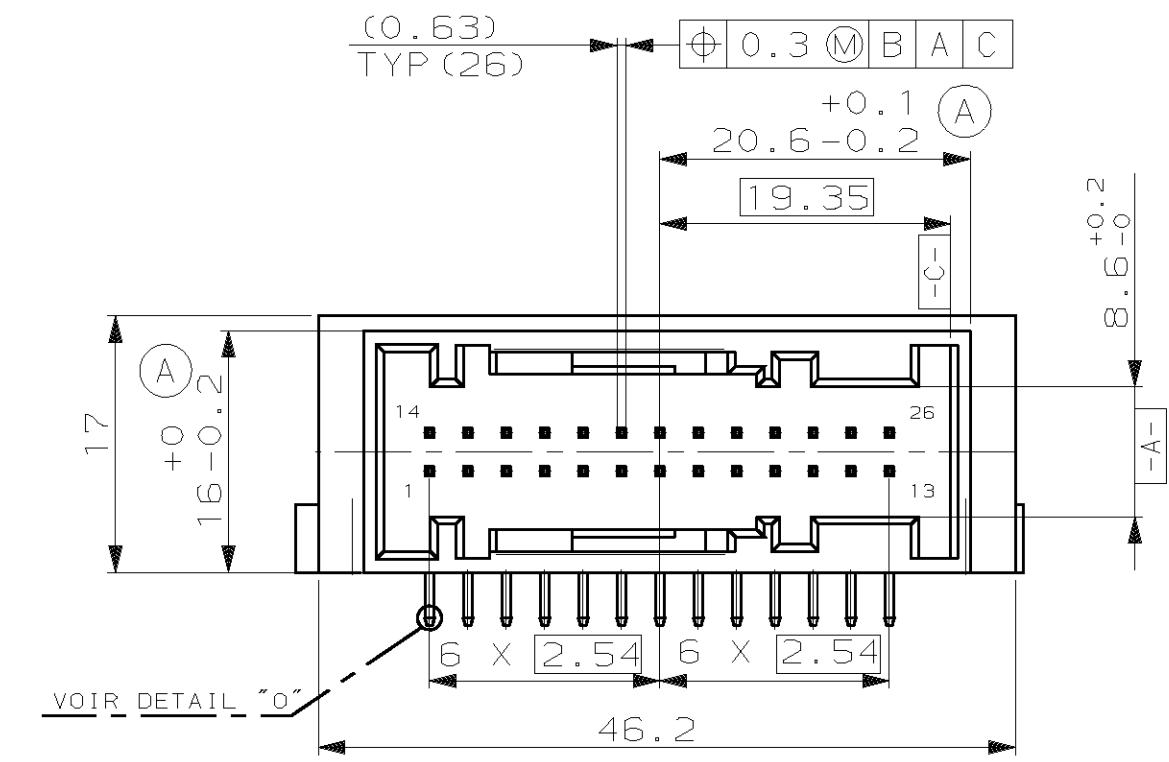
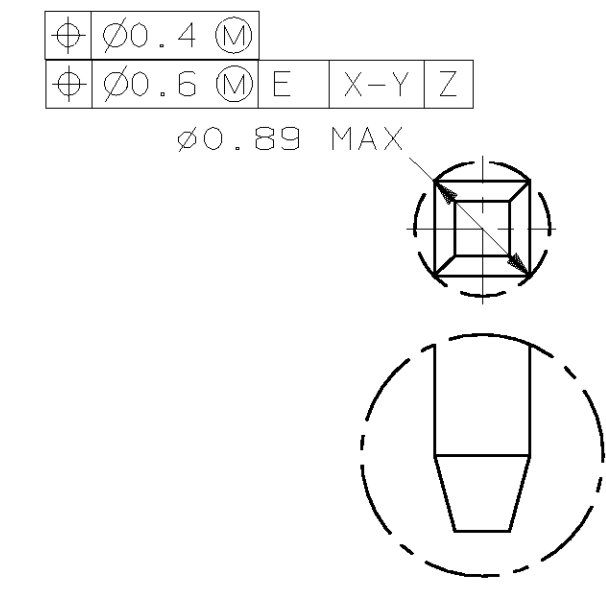
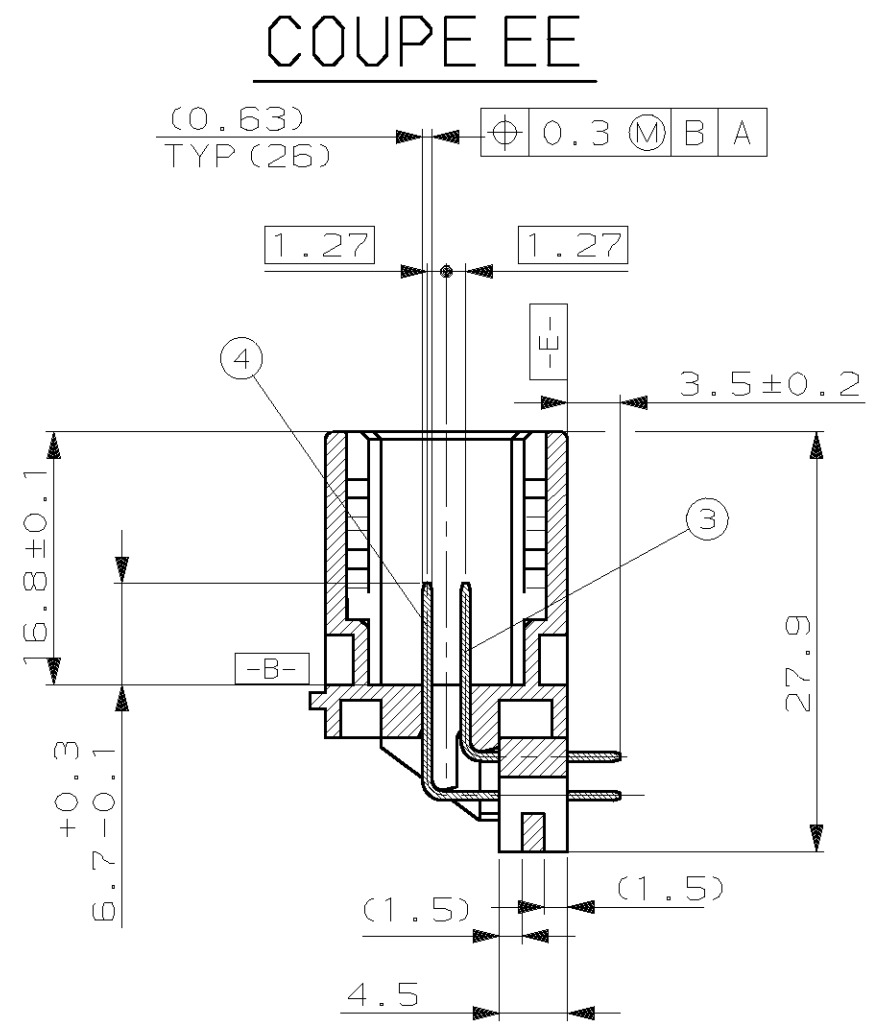
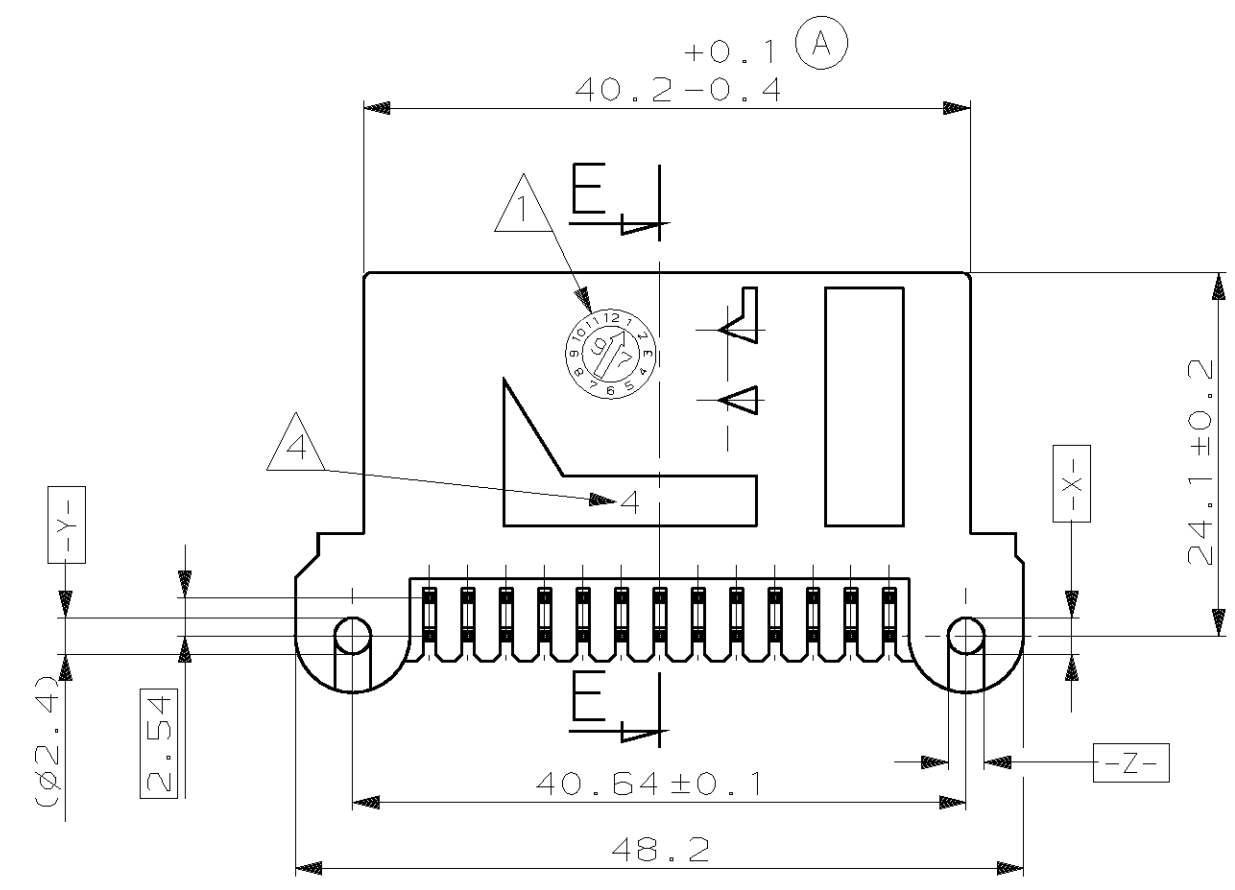
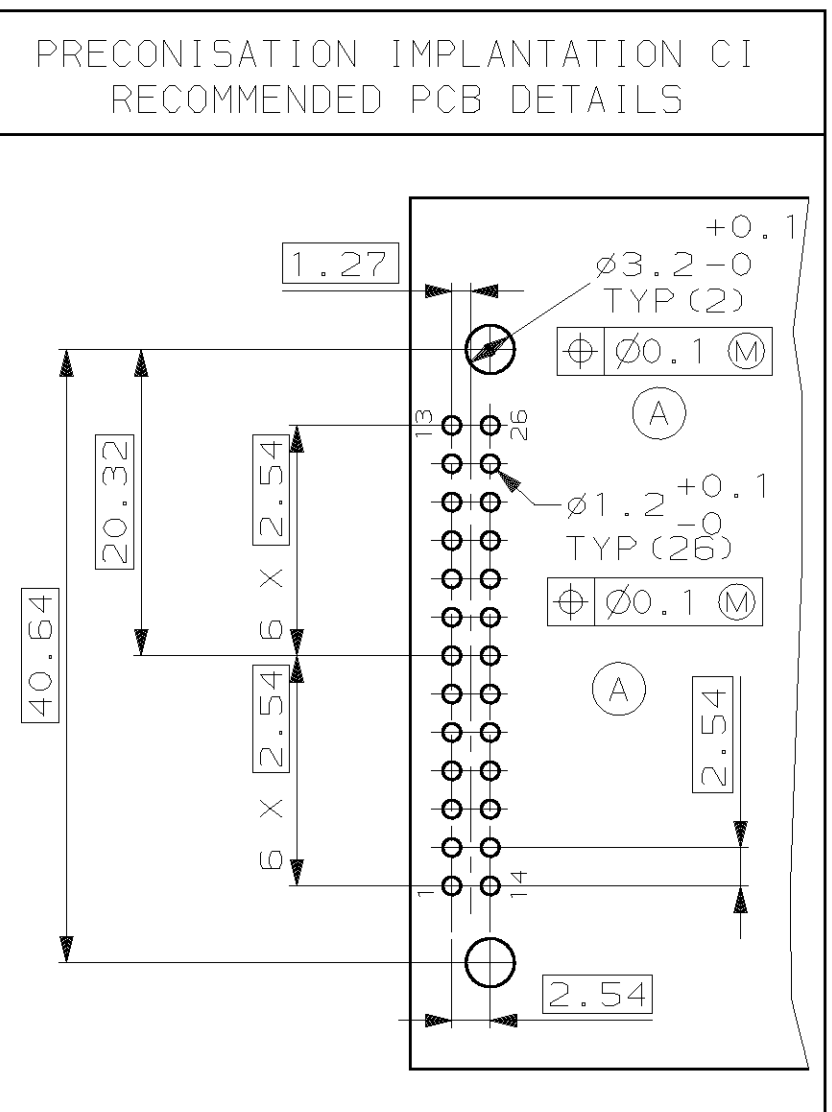


THIS DRAWING IS UNPUBLISHED. RELEASED FOR PUBLICATION. DIFFUSION RESTREINTE AMP. ALL RIGHTS RESERVED. TOUS DROITS RESERVES.

REVISIONS					
P	LTR REV	DESCRIPTION MODIFICATIONS	DATE	DWN DESS.	APVD APP.
B	-	REDRAWN - TOL DES TROUS D2.4	01-JUN-01	JLQ	-
-	-				
-	-				



185890-1



REF / ASSY PN	DESCRIPTION	COLOR	P/N ASS'Y (reference-assemble)
185890-1	BLUE (bleu)	185890-2	
185890-2	YELLOW (jaune)	185890-1	
	CODING (Detrompage)	COLOR (Couleur)	P/N ASS'Y (reference-assemble)

QTY	MATERIAL	DESIGNATION / NAME	COULEUR / COLOR	REP.
13	13	CuSn6	LONG MQS CONTACT	POST ETAME / POST TIN (4)
13	13	CuSn6	SHORT MQS CONTACT	POST ETAME / POST TIN (3)
-	1	PBT GF20	BOITIER / HOUSING	BLEU / BLUE (2)
1	-	PBT GF20	BOITIER / HOUSING	JAUNE / YELLOW (1)

NOTES:

- 1 DATE CODE
- 2 LOGO D'AMP
- 3 REFERENCE DU PRODUIT ASSEMBLE : 185890
- 4 N° D'EMPREINTE DU MOULE
- 5 REVISION DU MOULE
- 6 MATIERE : PBT 20GF
- 7 DATE D'ASSEMBLAGE : JJMA

NOTES:

- 1 DATE CODE
- 2 AMP LOGO
- 3 ASSY PART NUMBER
- 4 MOLD CAVITY MARKING
- 5 MOLD REVISION STATUS
- 6 MATERIAL : PBT GF 20
- 7 ASSY DATE CODE : DDMY

THIS DRAWING IS A CONTROLLED DOCUMENT FOR AMP INCORPORATED. IT IS SUBJECT TO CHANGE AND THE CONTROLLING ENGINEERING ORGANIZATION SHOULD BE CONTACTED FOR THE LATEST REVISION. CE PLAN EST UN DOCUMENT CONTROLÉ PAR AMP INCORPORATED. IL EST SUSCEPTIBLE D'ÊTRE REVISÉ. CONTACTER LE SERVICE TECHNIQUE D'AMP SE FRANCE POUR OBTENIR LA DERNIÈRE REVISION.

DIMENSIONS:	TOLERANCES UNLESS OTHERWISE SPECIFIED: (SUIV NB DE DECIMALES):	DWN/DESSINE	27-NOV-96	AMP DE FRANCE
mm	±0.3	Ngoc Thanh NGUYEN	17-APR-97	95301 PONTOISE
MATERIAL MATIERE	FINISH FINITION	J. LAQUERBE	17-APR-97	AMP
VOIR TABLEAU	VOIR TABLEAU	J.J. REVIL		AMP DE FRANCE
		PRODUCT SPEC	108-15140 (A)	EMBASE COUDEE 26 VOIES MQS
		APPLICATION SPEC		26 WAY MQS RIGHT ANGLE HEADER
		WEIGHT MASSE APPROX.	9.6 g	SCALE ECHELLE 2:1
		CUSTOMER DRAWING/PLAN CLIENT		SHEET FEUILLE 1 OF 1