

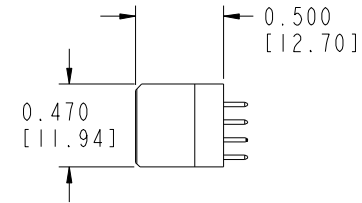
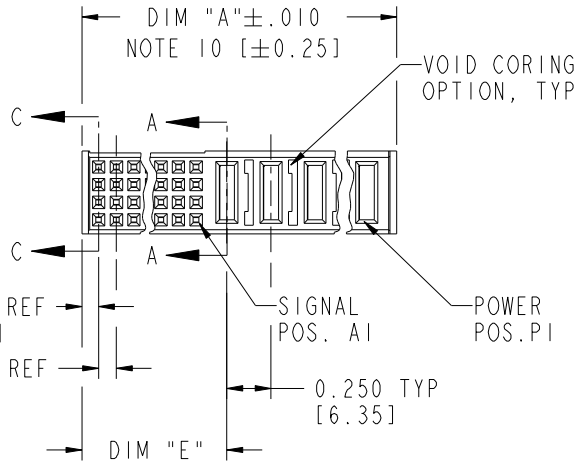
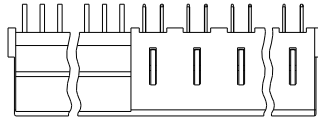
Tous droits strictement réservés. Reproduction ou communication à des tiers interdite sous quelque forme que ce soit sans autorisation écrite du propriétaire. Propriété de c.FCI. Droits de reproduction FCI.



All rights strictly reserved. Reproduction or issue to third parties in any form whatever is not permitted without written authority from the proprietor. Property of FCI. Copyright FCI.

PRODUCT NUMBER
51746-ABBCCC00E0_
Note: ①
SEE NOTE 1

0.100 REF TYP [2.54] 0.100 REF TYP [2.54]



mat'l code				SEE NOTE 2		tolerances unless otherwise specified		CUSTOMER		www.fciconnect.com		
ltr	ecn no.	dr	date	linear	.XX±.01/0.X±0.3		COPY					
H	DG05-0124	SJ	06/02/05		.XXX±.005/0.XX±0.13		projection					
J	DG08-0239	JC	09/11/08	angles	.XXX±.0020/.XX±.051		INCH/MM		title			
					0°±2°		scale		product family		code	
				dr	D. EATON	05-25-99	1:1		PWRBLADE		213	
				enr	J. BROWN	05-24-99	A		size		sheet	
				chr	J. BROWN	05-26-99			dwg no		1 of 3	
				appd	J. BROWN	05-26-99			51746			
sheet index		revision sheet		J	J	J						
		1 2 3										

cage code 22526

Pro/E

Tous droits strictement réservés. Reproduction ou communication à des tiers interdite sous quelque forme que ce soit sans autorisation écrite du propriétaire. Property of FCI. Droits de reproduction FCI.

All rights strictly reserved. Reproduction or issue to third parties in any form whatever is not permitted without written authority from the proprietor. Property of FCI. Copyright FCI.

PRODUCT NUMBER
51746-ABBCCC00E0_--
Note: ①
SEE NOTE 1

	1 2		3	4
DIM	LENGTH FORMULAS (SEE NOTE 10)			
DIM "A"	.100 [2.54] x (CCC/4) + .250 [6.35] x BB + .090 [2.29] (NOTE 10)			
DIM "E"	.100 [2.54] x (CCC/4) + .170 [4.32]			
DIM "F"	.100 [2.54] x (CCC/4) + .250 [6.35] x BB + .120 [3.05]			
DIM "H"	.100 [2.54] x (CCC/4) + .025 [.64]			

CONNECTOR NOTES

- ①. PRODUCT NUMBER CODE:
51746 - A BB CCC 00 E 0 LF
- NO THIS SUFFIX: 100u"/2.54um SnPb ON PCB INTERFACE
 - ADD THIS SUFFIX: 78u"/2.00um Sn ON PCB INTERFACE
 - ALWAYS '0' (ZERO) (NOTE 8)
 - TAIL OPTIONS (NOTE 7)
 - ALWAYS '00' (ZERO, ZERO) (NOTE 6)
 - NUMBER OF SIGNAL CONTACTS (NOTE 5)
 - NUMBER OF RIGHT POWER CONTACTS (NOTE 4)
 - PLATING (NOTE 3)
 - BASE NUMBER

- ②. HOUSING MATERIAL: GLASS FILLED V-O HIGH TEMP THERMO PLASTIC.
SIGNAL CONTACT MATERIAL: COPPER ALLOY
POWER CONTACT MATERIAL: COPPER ALLOY
- ③. PLATING OPTION:
I = SEE PRINT I0064183 FOR PLATING SPEC OF 51746-1BBCCC00E0; 51746-1BBCCC00E0LF
- ④. RIGHT END POWER CONTACT, 01 TO 20 AVAILABLE.
MAXIMUM OF 20 POWER CONTACTS PER CONNECTOR.
- ⑤. SIGNAL CONTACTS, 004 TO 148 AVAILABLE.
- ⑥. THIS PART NOT AVAILABLE WITH LEFTSIDE POWER CONTACTS.
- ⑦. TAIL OPTIONS:
A = .135±.010 [3.43±.25] SOLDER TO BOARD
C = .135±.010 [3.43±.25] PRESS FIT

- ⑧. BOARD RETENTION NOT AVAILABLE WITH GUIDELESS ENDS
- ⑨. MANUFACTURE'S NAME, P/N, AND DATE CODE TO APPEAR ON THIS SURFACE.
- ⑩. THE MAXIMUM OVERALL LENGTH (DIM A) OF A PART IS 8.00 [203.2].
11. PRODUCT SPECIFICATION GS-12-149.
12. REFERENCE 51698 FOR SPECIALS WORKSHEET.
- PCB NOTES:
13. ALL DIMENSIONS ARE BASIC UNLESS OTHERWISE SPECIFIED.
14. ALL THROUGH HOLES ARE LOCATED WITH A TRUE POSITION OF .004 [0.01]
15. ALL HOLE DIAMETERS ARE FINISHED HOLE SIZE.
16. 0.0453±.001 [1.151±.02] DRILLED HOLES PLATED WITH 0.0003 [0.007] MIN SnPb OR Sn OVER 0.001 [1.03] TO .003 [0.08] PLATING TO ACHIEVE A .040 ±.003 [1.02 ±.08] HOLE.
17. A ΔSYMBOL WILL BE NEXT TO ANY DIMENSION, VIEW, OR NOTE WHICH HAS BEEN MODIFIED WITH THE CURRENT DRAWING REVISION.

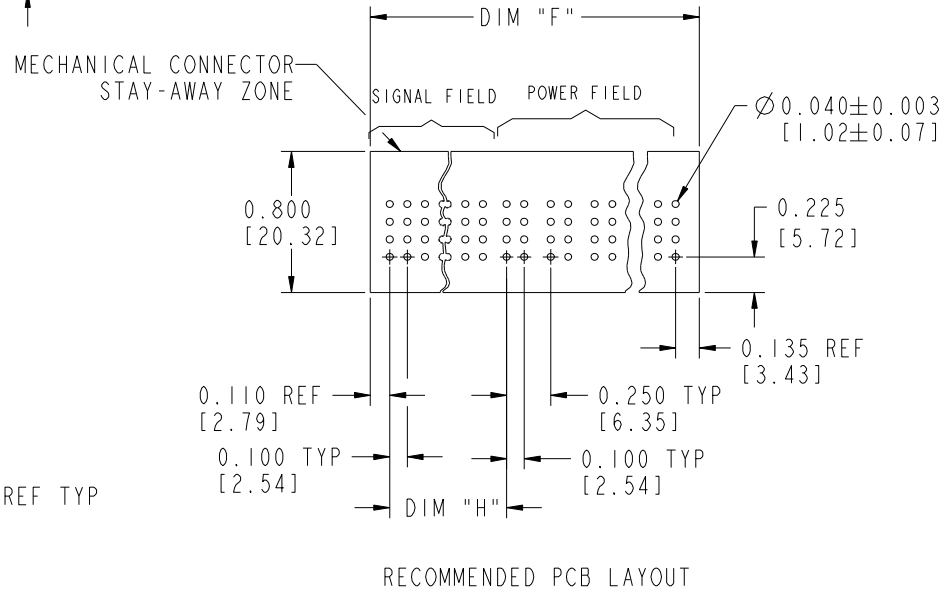
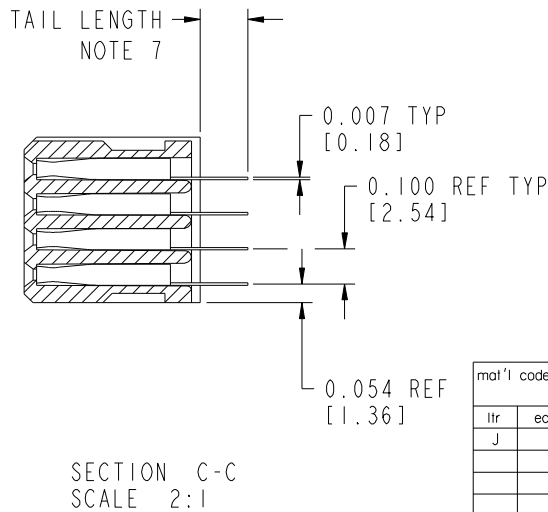
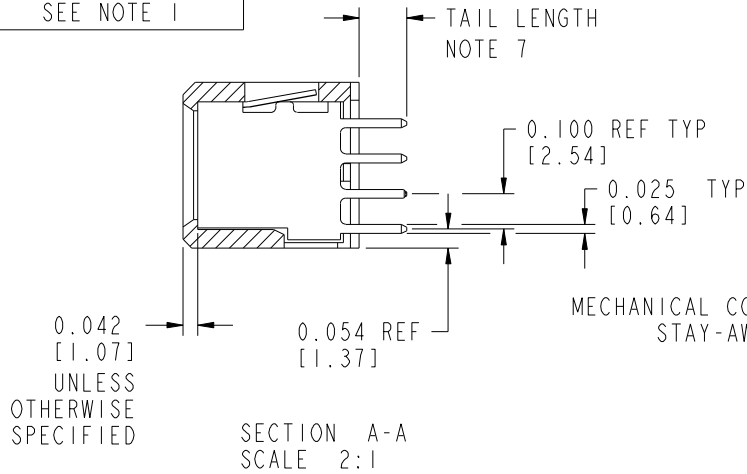
mat'l code		SEE NOTE 2		tolerances unless otherwise specified		CUSTOMER		FCJ		www.fciconnect.com	
ltr	ecr no.	dr	date	linear	.XX±.01/0.X±0.3	COPY		projection		title	
J				angles	.XXX±.005/0.XX±0.13	INCH/MM		⊕		VERTICAL RECEPTACLE W/O GUIDE PIN POWER / SIGNAL	
				dr	.XXX±.0020/.XX±.051	scale		product family		code	
				enr	0°±2°	1:1		PWRBLADE		213	
				chr	D. EATON 05-25-99	A		size		sheet	
				appd	J. BROWN 05-24-99			dwg no		2	
					J. BROWN 05-26-99			51746			
sheet index	revision sheet										

1 | 2 Pro/E 3 | cage code 22526 4

Tous droits strictement réservés. Reproduction ou communication à des tiers interdite sous quelque forme que ce soit sans autorisation écrite du propriétaire. Propriété de c.FCI. Droits de reproduction FCI.

All rights strictly reserved. Reproduction or issue to third parties in any form whatever is not permitted without written authority from the proprietor. Property of FCI. Copyright FCI.

PRODUCT NUMBER
51746-ABBCCC00E0__
Note: ①
SEE NOTE 1



mat'l code				SEE NOTE 2		tolerances unless otherwise specified		CUSTOMER		FCJ		www.fciconnect.com	
ltr	ecn no.	dr	date	linear	.XX±.01/0.X±0.3		COPY		title VERTICAL RECEPTACLE W/O GUIDE PIN POWER / SIGNAL				
J					.XXX±.005/0.XX±0.13		projection						
					angles	.XXX±.0020/.XX±.051		INCH/MM		product family		PWRBLADE	
						0°±2°		scale		size		213	
						dr	D. EATON 05-25-99		1:1		dwg no		3
				enr	J. BROWN 05-24-99				51746		sheet		
				chr	J. BROWN 05-26-99						3		
				appd	J. BROWN 05-26-99								
sheet index		revision sheet											

Pro/E

cage code 22526