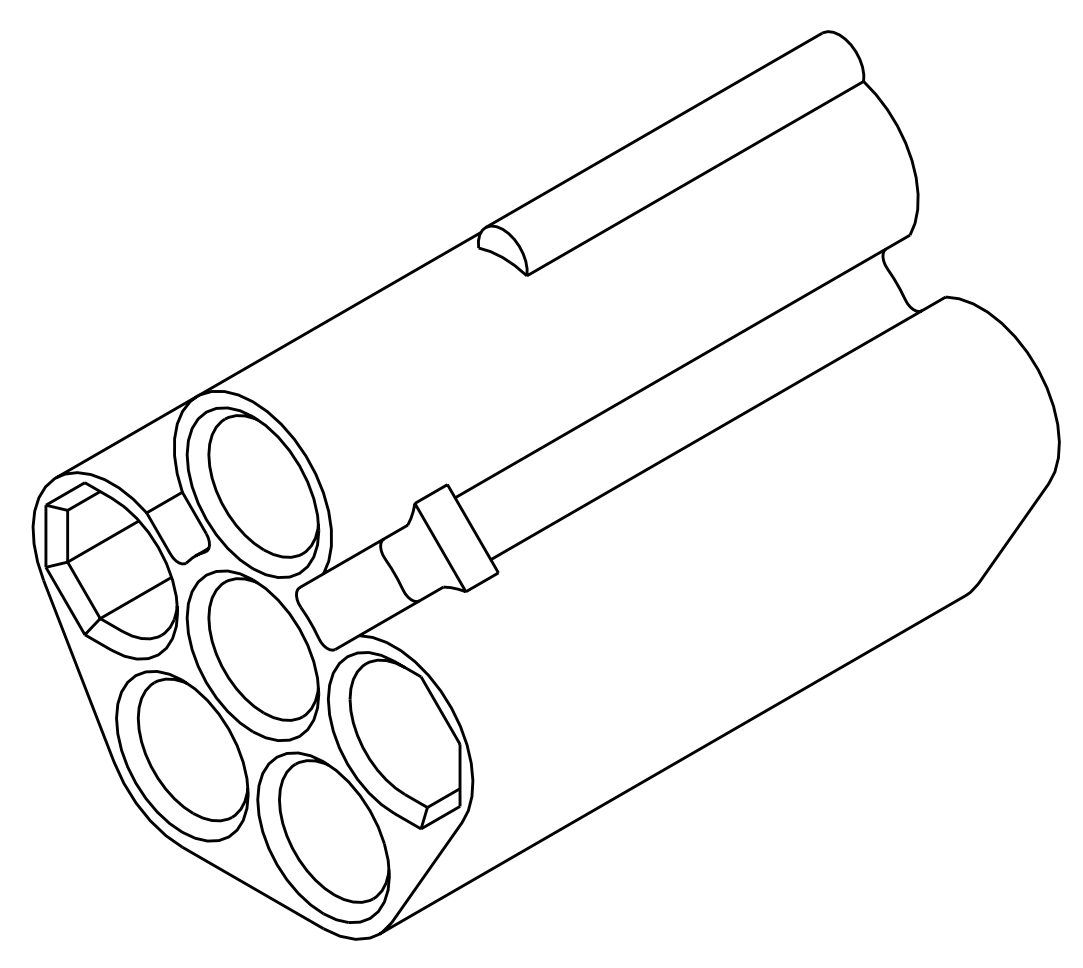
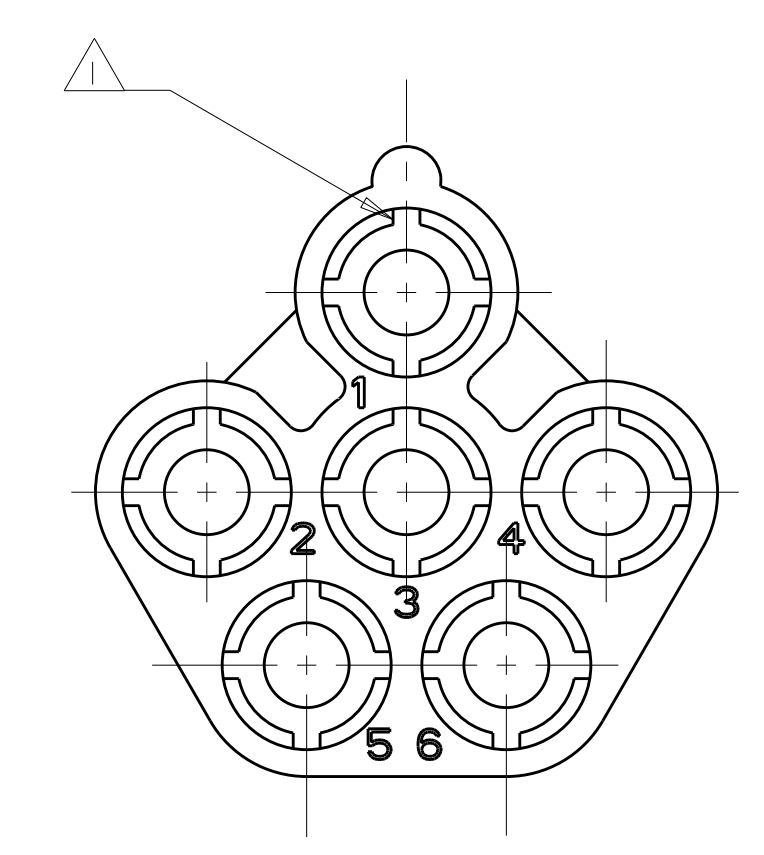
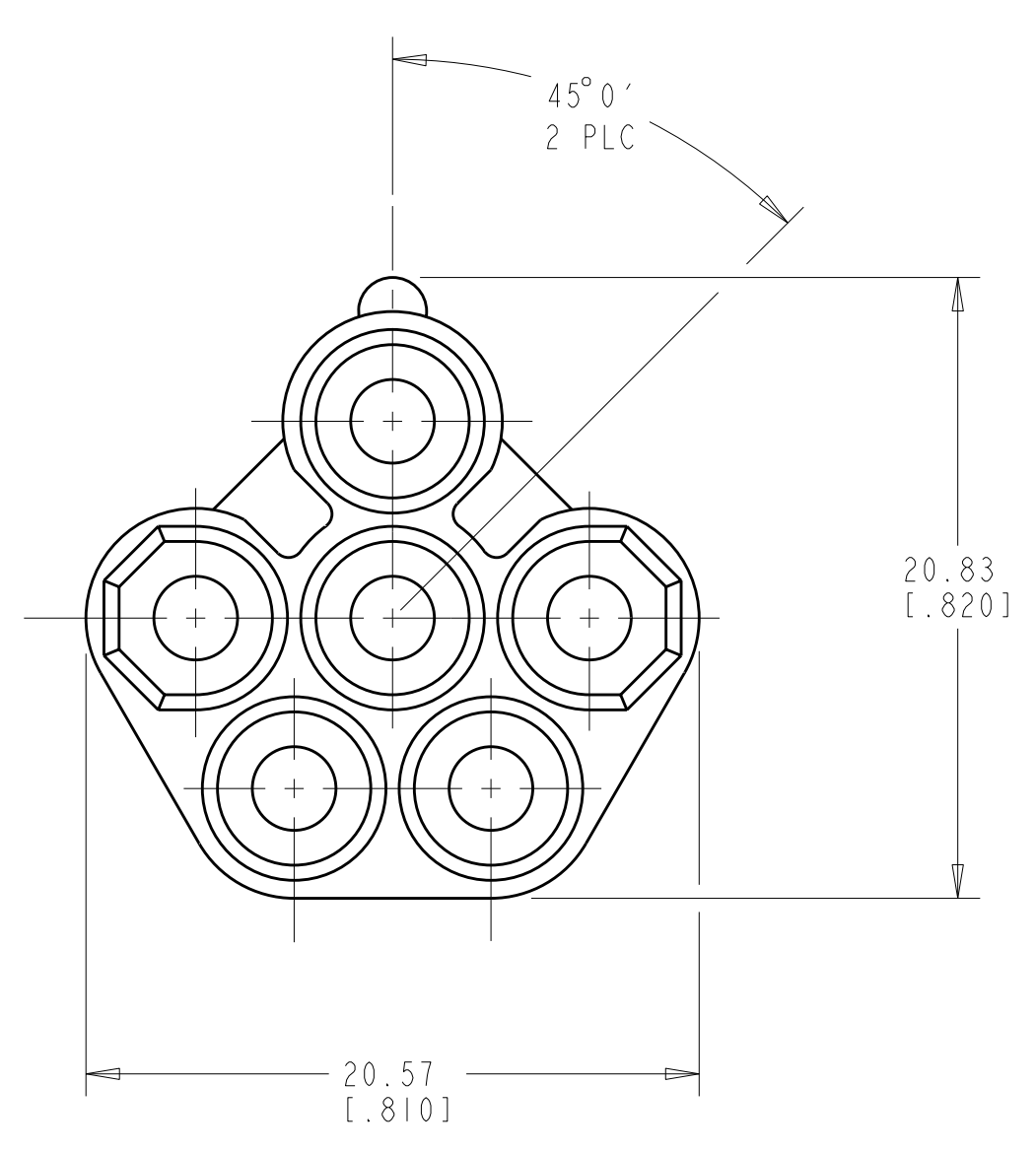
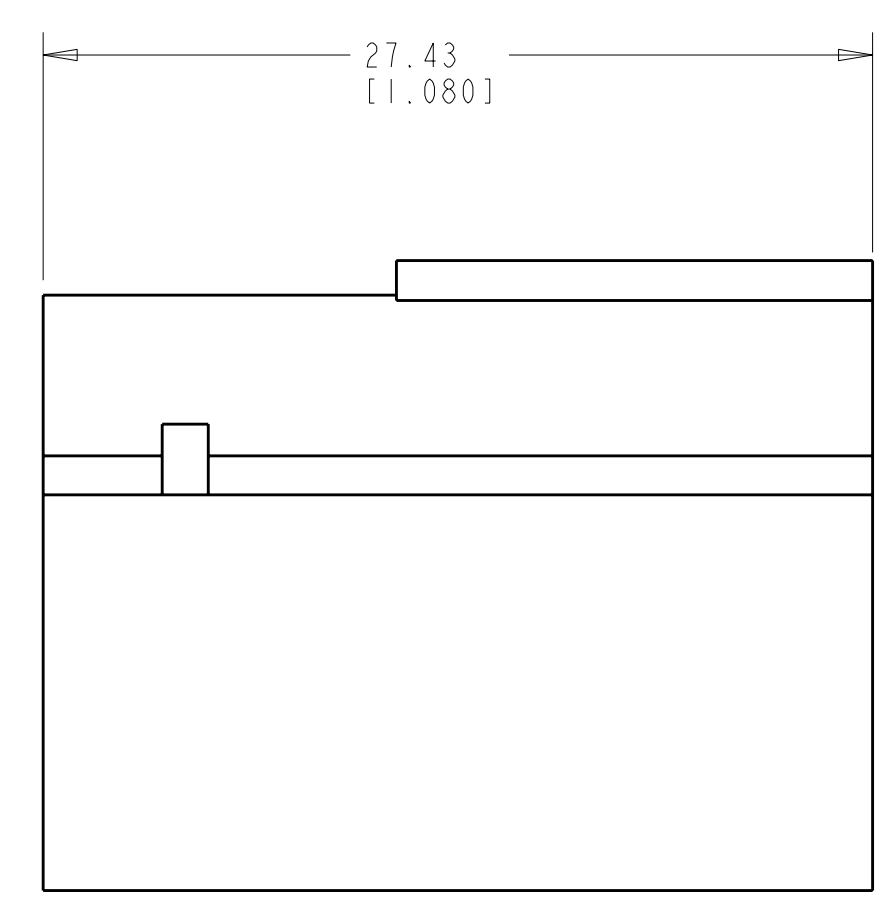
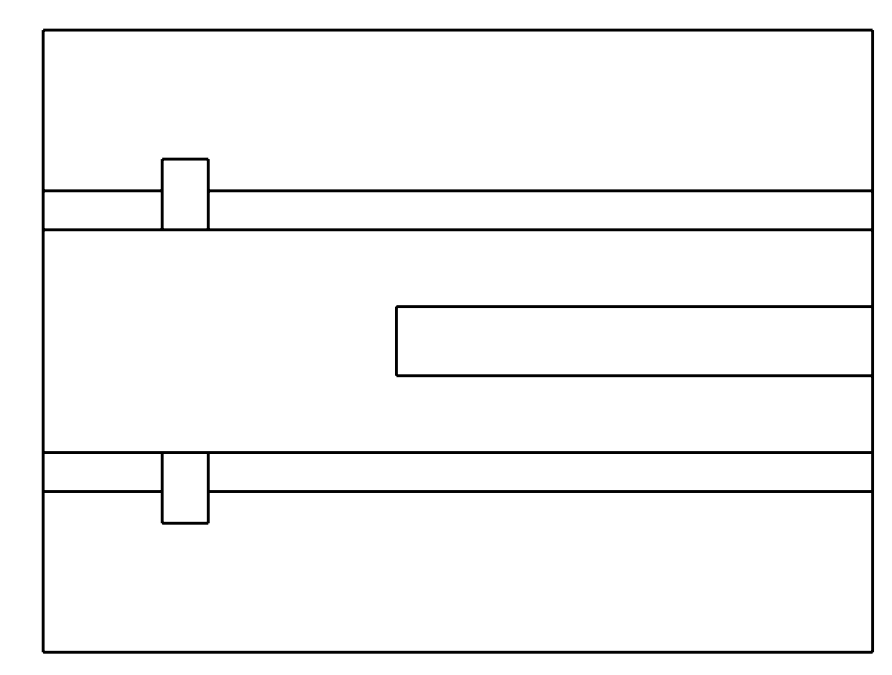


LOC	DIST	REVISIONS			
CM	53	REV	DATE	DWN	APVD
		B	REVISD PER 063B-0556-01	15-OCT-01	KW SR
		B1	REVISD PER ECO-07-001375	18JAN2007	KW DC

△ FOUR RIBS EQUALLY SPACED, NO SPECIFIC ORIENTATION.



3-DIMENSIONAL MODEL
SCALE 4:1

VOLUME	COLOR	PART NUMBER
0.218 IN ³	BLACK	794912-9
0.218 IN ³	GRAY	794912-8
0.218 IN ³	BROWN	794912-7
0.218 IN ³	BLUE	794912-6
0.218 IN ³	GREEN	794912-5
0.218 IN ³	YELLOW	794912-4
0.218 IN ³	ORANGE	794912-3
0.218 IN ³	RED	794912-2
0.218 IN ³	NATURAL	794912-1

DIMENSIONS: mm [INCHES]		TOLERANCES UNLESS OTHERWISE SPECIFIED: 9 PLC ± 1 PLC ± 2 PLC ±0.13(.005) 3 PLC ± 4 PLC ± ANGLES ±		DWN: 23-MAR-2001 CHK: WHITAKER S. RIDGILL APVD: 23-MAR-2001 S. RIDGILL		AMP Incorporated Harrisburg, PA 17105-3608	
MATERIAL: NYLON, UL 94V-2		FINISH:		PRODUCT SPEC:		NAME: CAP, CIRCULAR, 6 CIRCUIT, UNIVERSAL MATE-N-LOK(TM)	
METRIC		WEIGHT:		APPLICATION SPEC:		SIZE: CAGE CODE: DRAWING NO: 00779 C=794912	
CUSTOMER DRAWING				SCALE: 4:1		SHEET 1 OF 1	