

THIS DRAWING IS UNPUBLISHED.

RELEASED FOR PUBLICATION

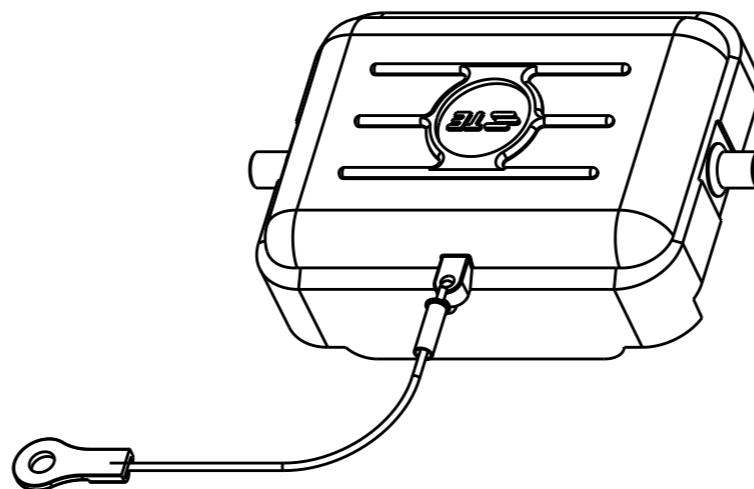
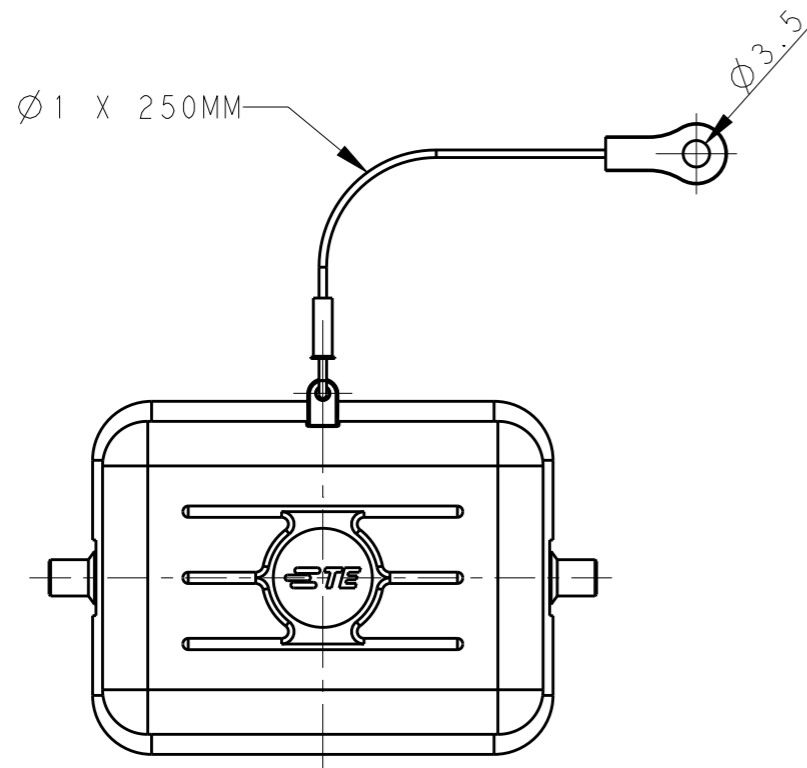
20

© COPYRIGHT 20 BY -

ALL RIGHTS RESERVED.

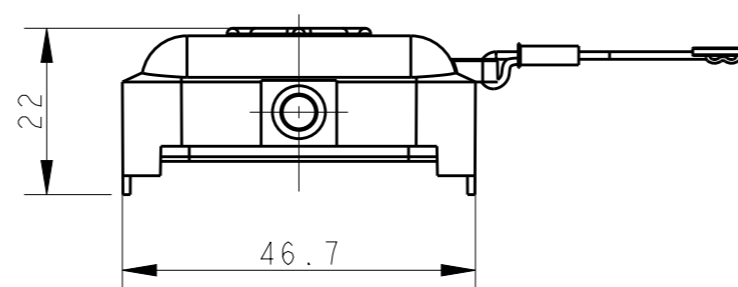
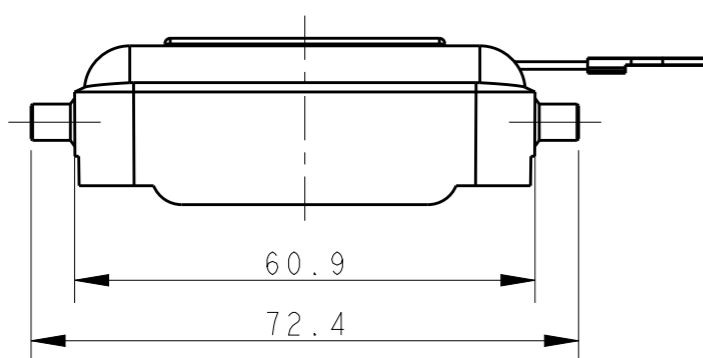
REVISIONS

P	LTR	DESCRIPTION	DATE	DWN	APVD
	A	INITIAL	08JUN2015	DW	CW



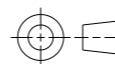
NOTES:  
 1. TECHNICAL CHARACTERISTICS:  
 COVER MATERIAL: PC  
 OPERATION TEMPERATURE: -40-+125°C

注释:  
 1. 技术参数:  
 保护盖材料: PC  
 工作温度: -40-+125°C



THIS DRAWING IS A CONTROLLED DOCUMENT.

DIMENSIONS:  
mm



TOLERANCES UNLESS OTHERWISE SPECIFIED:

0 PLC	±-
1 PLC	±-
2 PLC	±-
3 PLC	±-
4 PLC	±-
ANGLES	- ±

MATERIAL  
-

FINISH  
-

DWN	08JUN2015
David Wang	
CHK	08JUN2015
Chris Wang	
APVD	08JUN2015
Xiang Xu	

PRODUCT SPEC	-
APPLICATION SPEC	-
WEIGHT	-
Customer Drawing	



NAME  
 H6B-KDB  
 H6B HOUSING PLASTIC PROTECTION  
 COVER

SIZE	CAGE CODE	DRAWING NO	RESTRICTED TO
A3	00779	C-T1010062100000	-

SCALE 1:1 SHEET 1 OF 1 REV A