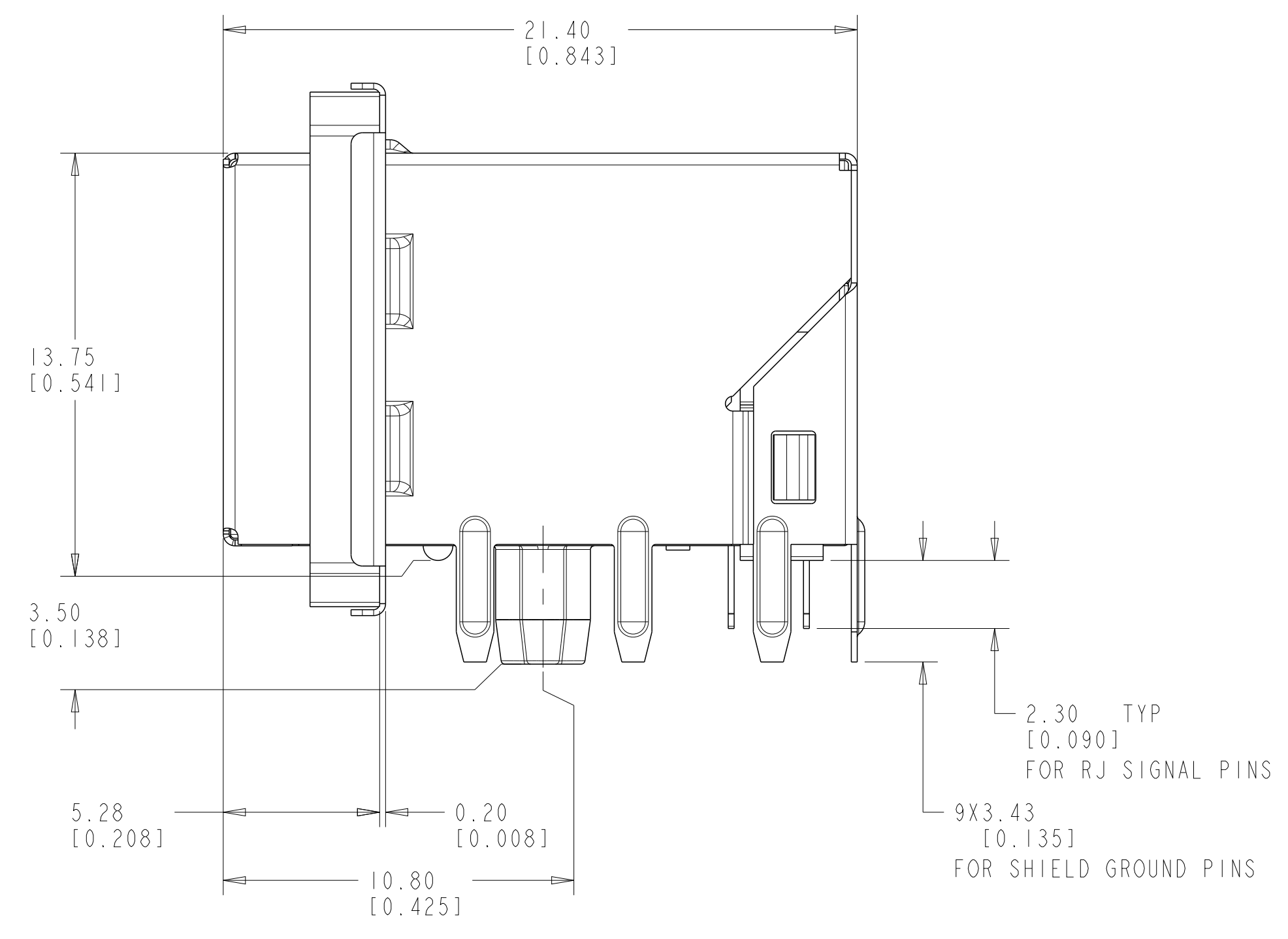
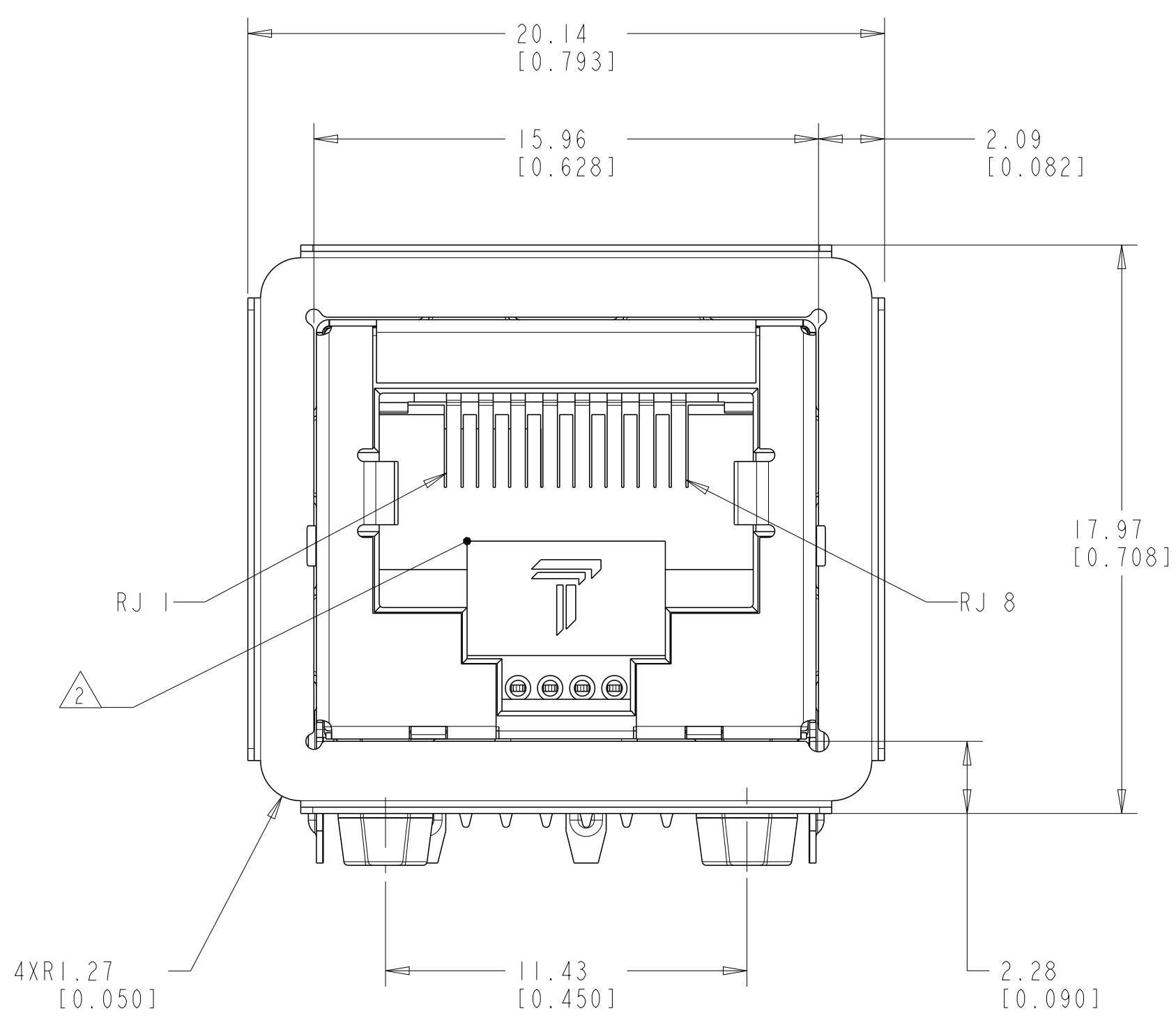
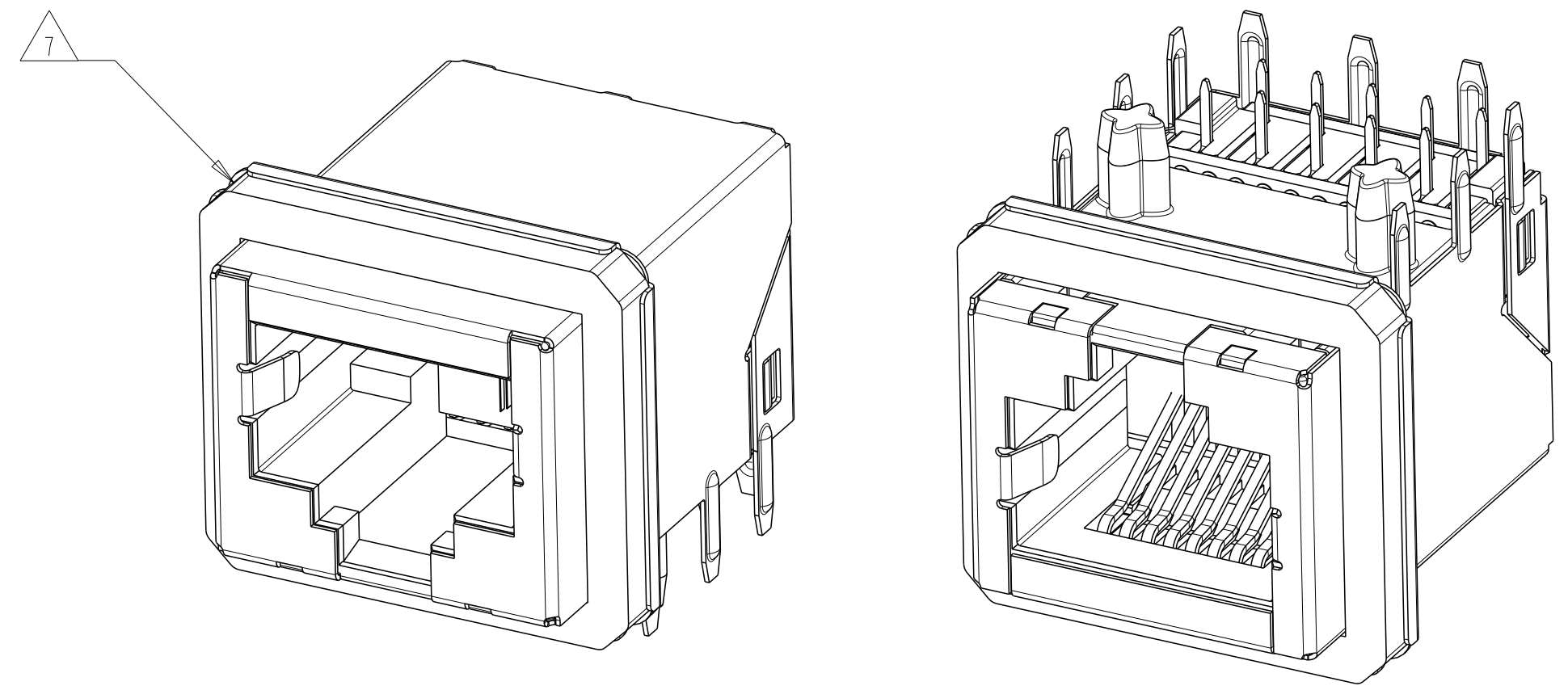
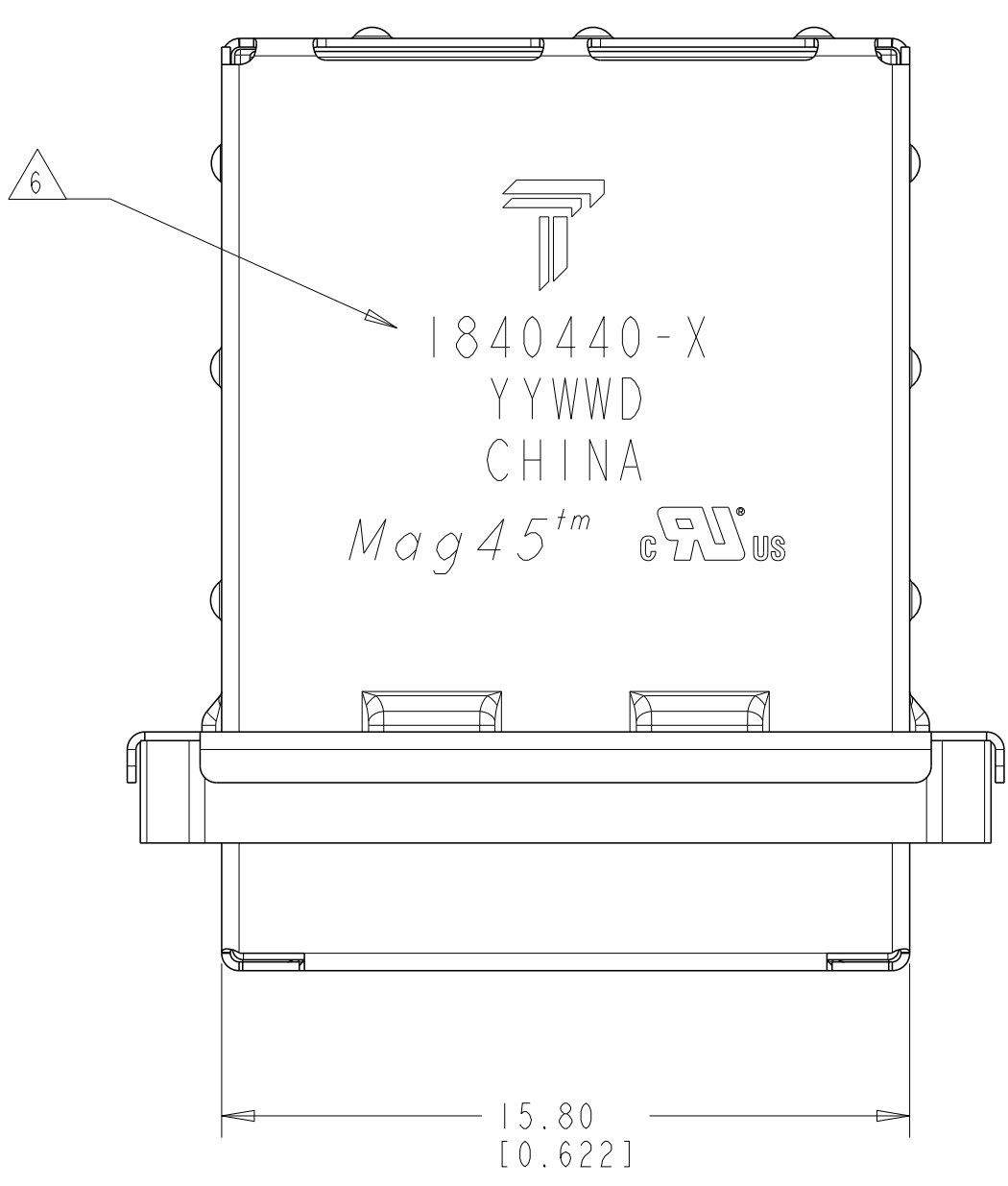


REVISIONS				
P	LTN	DESCRIPTION	DATE	OWN APVD
B		LOGO CHANGE	07APR2013	PP KZ

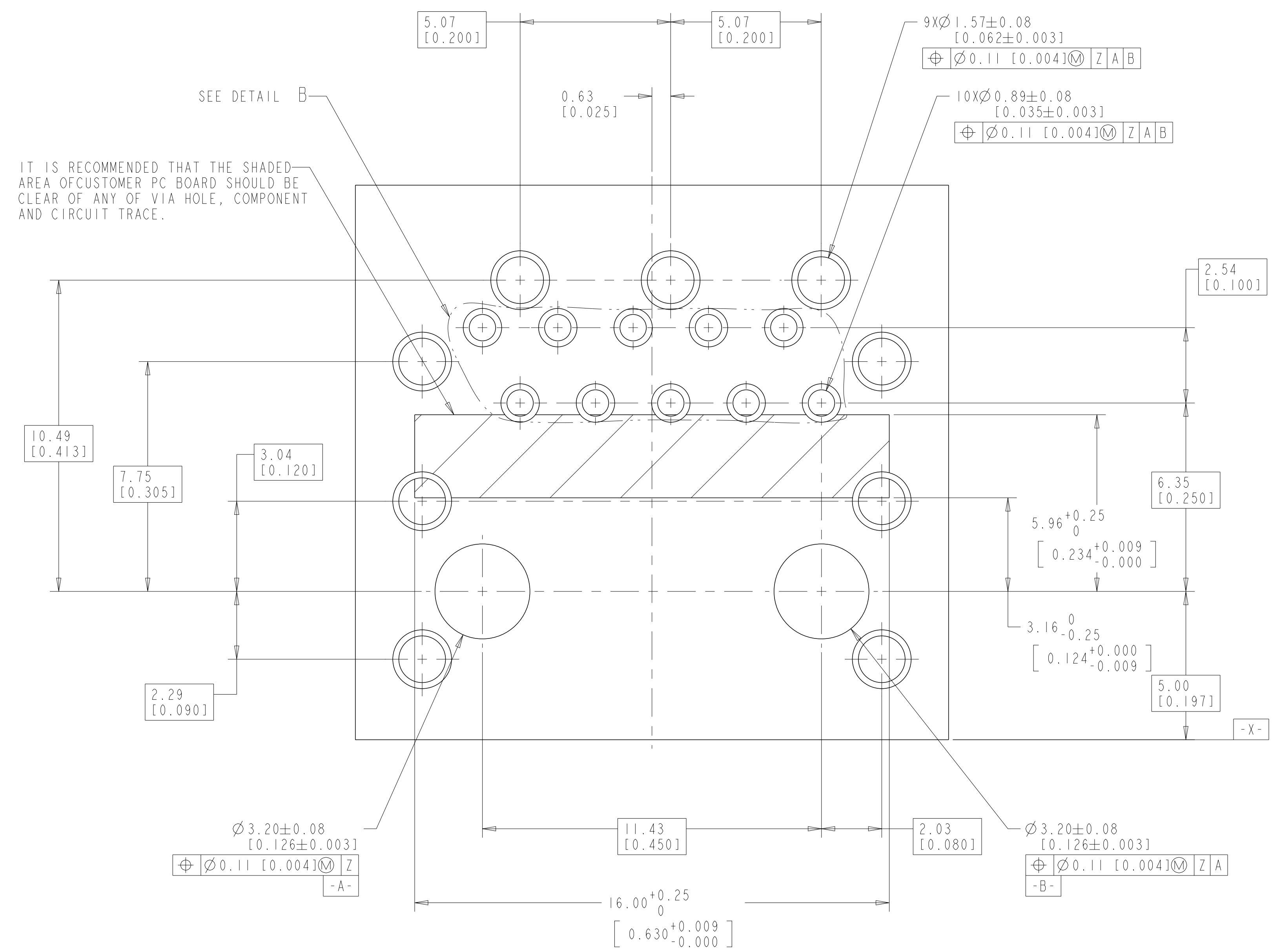
NOTES:

- 1 MATERIALS
 - HOUSING: THERMOPLASTIC, FLAMMABILITY RATING UL 94V-0.
 - SHIELD: BRASS C26800 0.008 INCH THICK, PREPLATED WITH 30μINCH MIN SEMI-BRIGHT NICKEL. SOLDER TABS POST DIPPED WITH 100μINCH MIN SAC SOLDER.
 - CONTACTS: PHOSPHOR BRONZE 0.012 X 0.018", 50μINCH MIN OVERALL NICKEL UNDERPLATE, WITH SELECTIVE 50μINCH MIN HARD GOLD FINISH PLATE.
 - SOLDER TAILS: 100μINCH MIN MATTE TIN AND/OR SAC SOLDER DIP.
 - EMI GASKET: SILVER PLATED URETHANE FOAM GASKET.
- 2 RJ45 JACK CAVITY CONFORMS TO FCC RULES AND REGULATIONS PART 68 SUB PART F.
- 3 MAGNETICS
 - APPLICATION: 10/100/1000 BASE-T, EXTENDED TEMPERATURE
 - IMPEDANCE: 100 OHMS
 - TURNS RATIO (CHIP:CABLE): 1:1 ALL FOUR PAIRS
 - OPEN CIRCUIT INDUCTANCE (OCL): 350μH MIN. @100kHz, 0.1VRMS, 8mADC BIAS FROM -40°C TO +85°C, ALL FOUR PAIRS
 - ALL FOUR PAIRS BI-DIRECTIONAL
 - PERFORMANCE @ 25°C:
 - INSERTION LOSS (IL): 1.1dB MAX. FROM 0.5MHz TO 100MHz
 - RETURN LOSS (RL): 18dB MIN FROM 0.5MHz TO 40MHz
 - 12-20LOG(f/80)dB MIN. FROM 40.1MHz TO 100MHz
 - CROSSTALK ATTENUATION: 35dB MIN. FROM 0.5MHz TO 40MHz
 - 33-20LOG(f/50)dB MIN. FROM 40.1MHz TO 100MHz
 - COMMON MODE REJECTION RATIO (CMRR): 30dB MIN. FROM 0.5MHz TO 100MHz
 - ISOLATION VOLTAGE: 2250VDC FOR 60 SECONDS WITH A RISE TIME OF 500 V/SEC
- 4. OPERATING TEMPERATURE: FROM -40°C TO +85°C.
- 5 INDICATED MAGNETIC CONNECTIONS ARE SYMMETRICAL TO SUPPORT AUTO-MDI/MDIX.
- 6 TRP CONNECTOR LOGO, PART NUMBER, DATE CODE, COUNTRY OF ORIGIN AND AGENCY APPROVAL MARKING IN APPROXIMATE LOCATION SHOWN.
- 7 EMI GASKET.
- 8 NOMINAL GASKET DEFLECTION.
- 9. THIS PART IS RECOMMENDED FOR WAVE SOLDERING PROCESS, PREHEAT TEMPERATURE IS 120°C TO 160°C, 120 SECONDS TO 180 SECONDS, PEAK WAVE SOLDERING TEMPERATURE IS 260°C MAX, 10 SECONDS MAX.

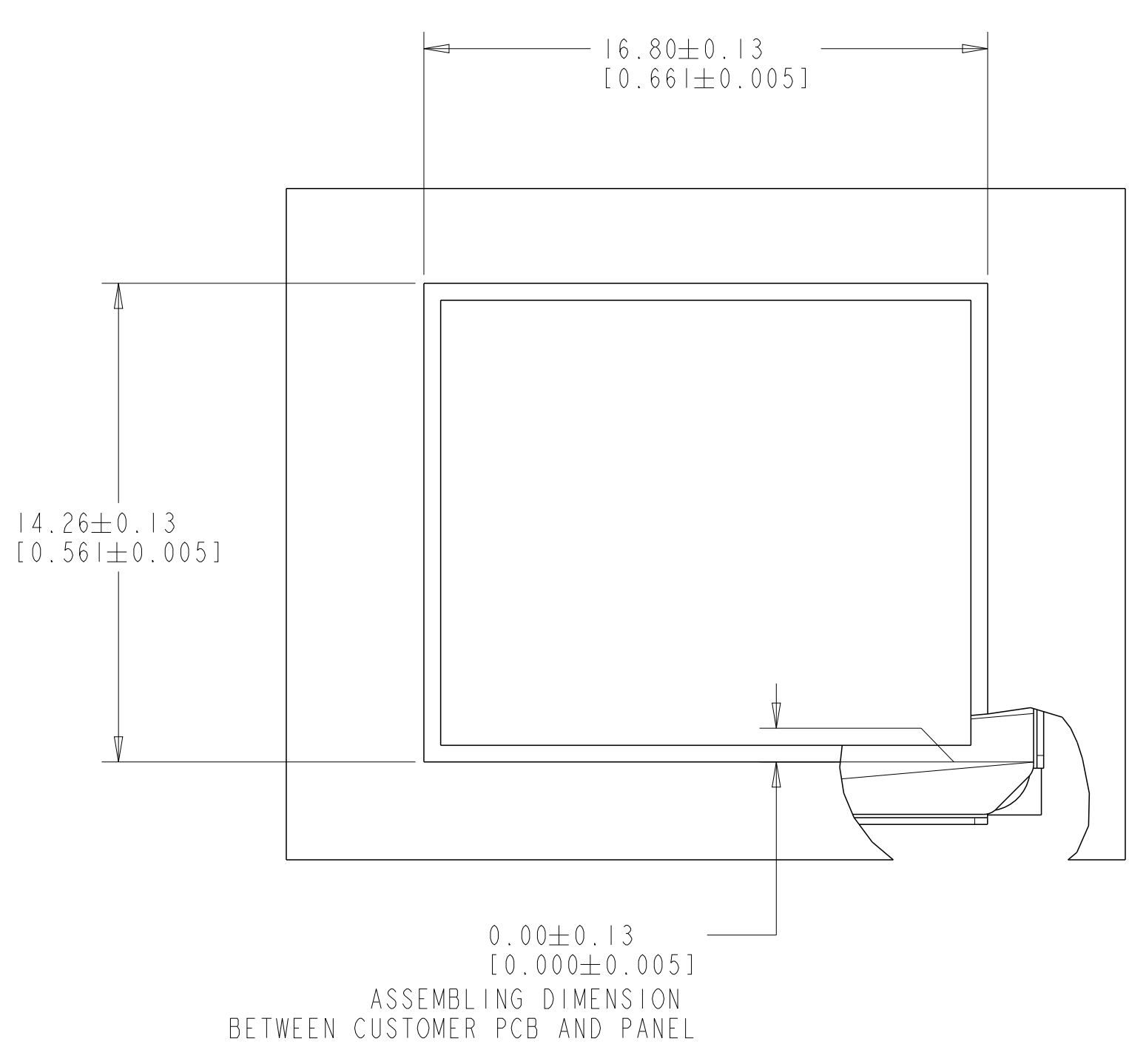


1840440-1
 PART NUMBER

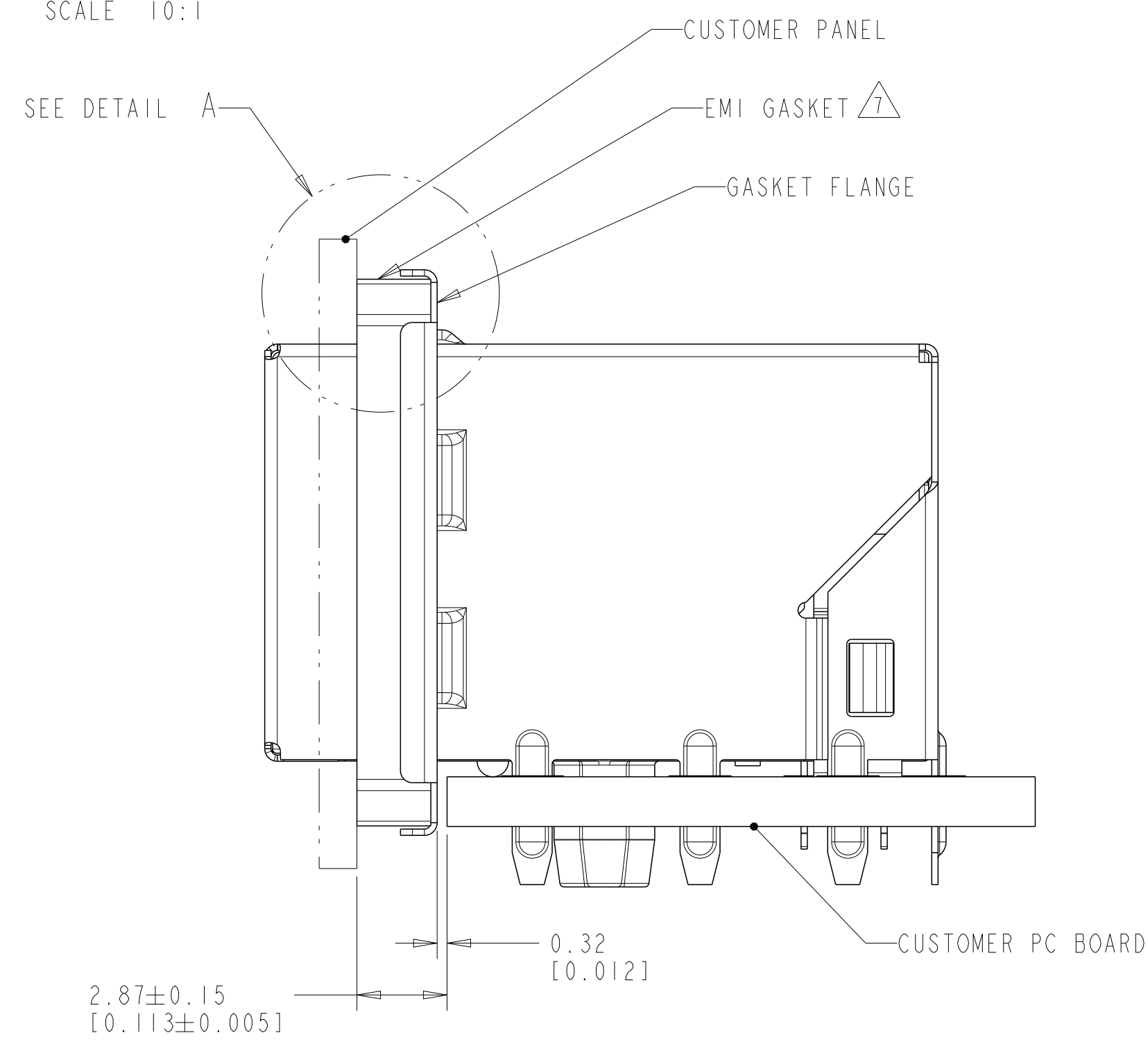
THIS DRAWING IS A CONTROLLED DOCUMENT.		OWN: SKY ZHAO 05AUG2009	TRP connector Dongguan China
DIMENSIONS: mm		CHK: TONY YUAN 05AUG2009	
TOLERANCES UNLESS OTHERWISE SPECIFIED:		APVD: KE LITH ZHU 05AUG2009	PRODUCT SPEC: 108-104004
0 PLC	±0.25	APPLICATION SPEC:	NAME: 1X1 MAG45(TM), MODULAR JACK, 4G46ETP1 GIGABIT CIRCUIT.
1 PLC	±0.25	SIZE: A1	RESTRICTED TO:
2 PLC	±0.25	CAGE CODE: 00779	DRAWING NO: 1840440
3 PLC	±0.25	WEIGHT:	SCALE: 4:1
4 PLC	±0.25	CUSTOMER DRAWING	SHEET 1 OF 2
ANGLES	±0.2		REV B
FINISH			



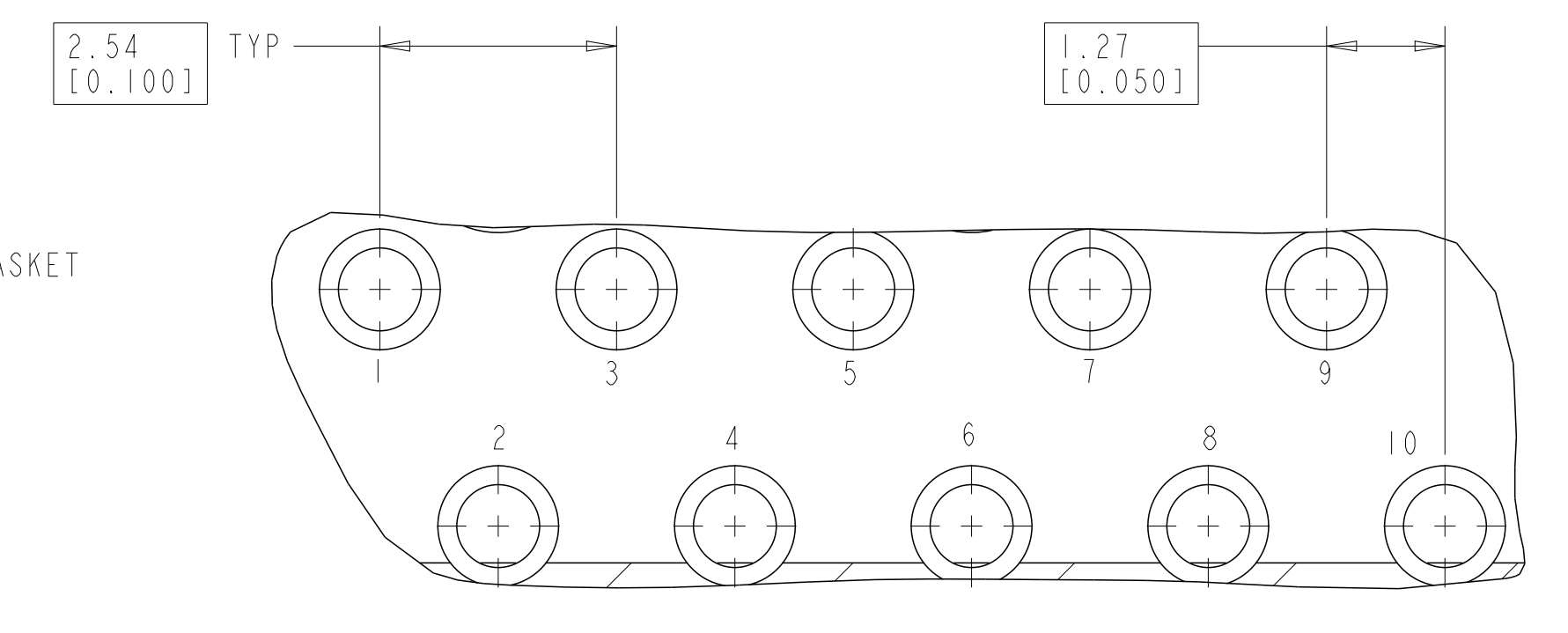
SUGGESTED PCB LAYOUT
 COMPONENT SIDE
 SCALE 10:1



ASSEMBLING DIMENSION
 BETWEEN CUSTOMER PCB AND PANEL

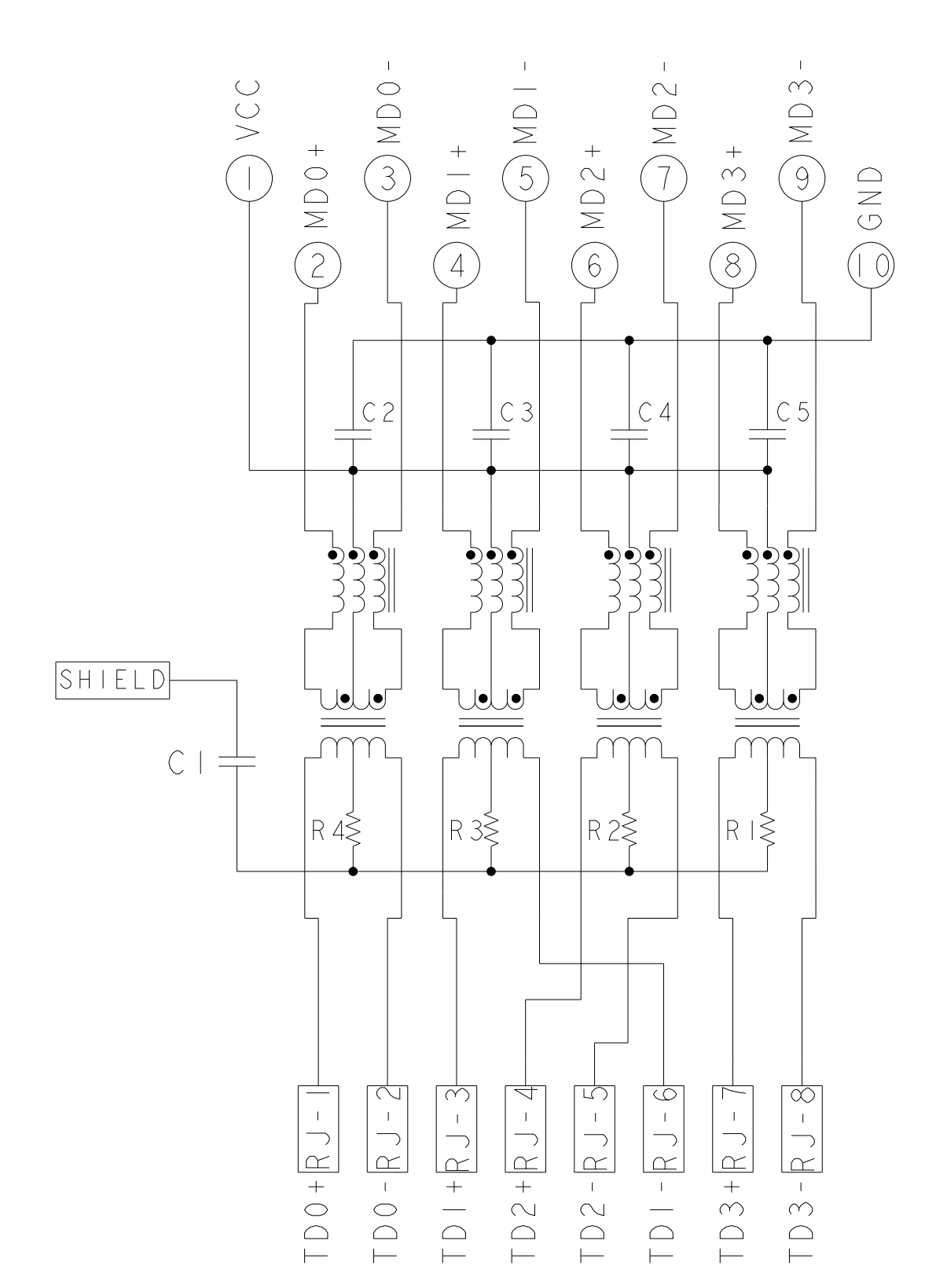


DETAIL A
 SCALE 12:1



DETAIL B
 SCALE 14:1

4G46ETPI GIGABIT CIRCUIT



C1=1000pF, 2kV CAPACITOR
 R1-R4=75 Ohms, 1/16W RESISTORS
 C2-C5=0.1uF, 50V CAPACITORS

THIS DRAWING IS A CONTROLLED DOCUMENT.		OWN: SKY ZHAO 05AUG2009		TRP connector Dongguan China
DIMENSIONS: mm		CHK: TONY YUAN 05AUG2009		PRODUCT SPEC
TOLERANCES UNLESS OTHERWISE SPECIFIED:		APP'D: KE LITH ZHU 05AUG2009	APPLICATION SPEC	SIZE: 108-104004
0 PLC ±0.25			FINISH: #2	RESTRICTED TO
1 PLC ±0.25				
2 PLC ±0.25				
3 PLC ±0.25				
4 PLC ±0.25				
ANGLES				
MATERIAL				
FINISH				
		WEIGHT		
		CAGE CODE	00779	SCALE 4:1
		DRAWING NO	1840440	SHEET 2 OF 2
				REV B
		CUSTOMER DRAWING		