

THIS DRAWING IS UNPUBLISHED.

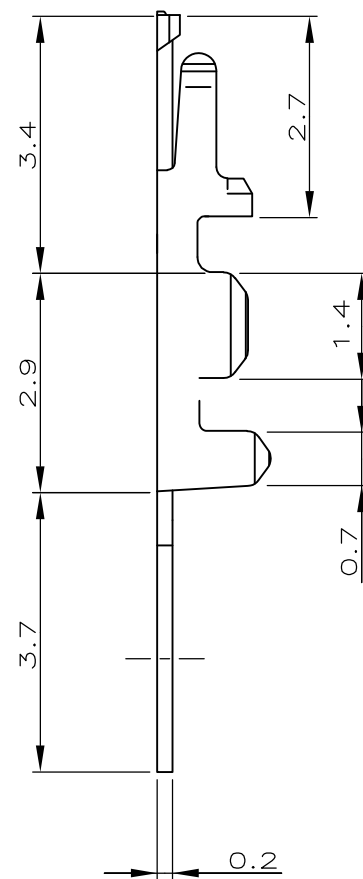
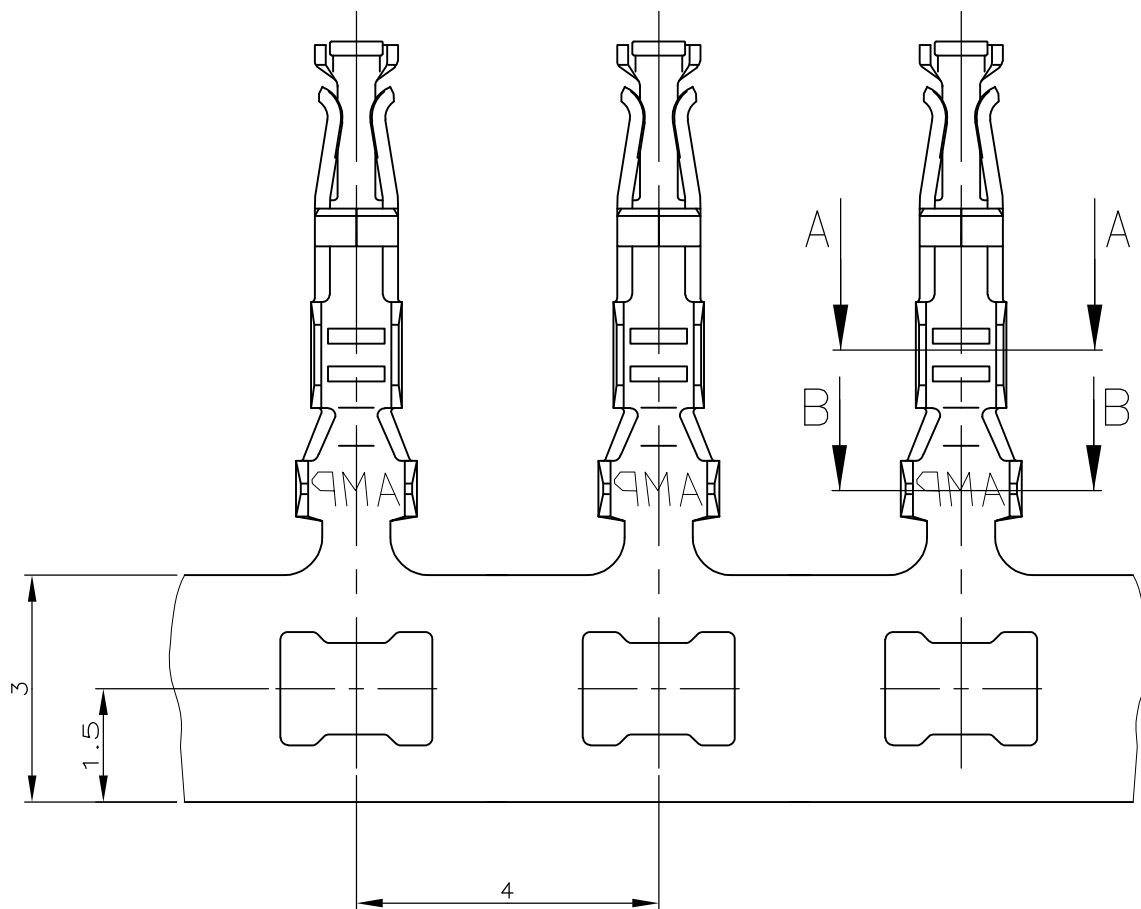
RELEASED FOR PUBLICATION

ALL RIGHTS RESERVED.

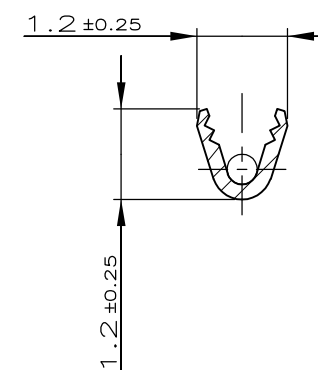
© COPYRIGHT - By -

REVISIONS

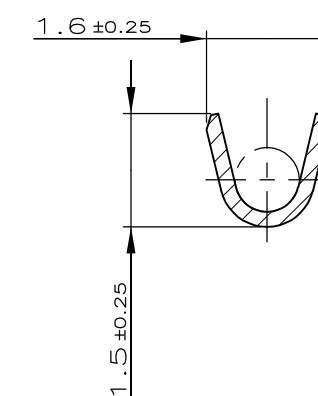
P	LTR	DESCRIPTION	DATE	DWN	APVD
	B1	GOLD PLATING THICKNESS CORRECTED AS 0.76µm	02AUG2016	RP	PS



SECTION "A"-"A"
AWG 32-28



SECTION "B"-"B"



NOTES:

- 1. PLUG AREA: 0.76µm Au over 1.27µm Ni
CRIMPING AREA: Sn plated
- 2. WIRE RANGE AWG 32-28
INSULATION RANGE ISO - Ø 0.5-1.0mm
- 3. SUITABLE FOR SOCKET HOUSING: PN 964976

OBSOLETE	-969129-4	CRIMP CONTACT FOR HANDTOOL	CuNiSi	1
	969129-3	CRIMP CONTACT FOR APPLICATORS	CuNiSi	1
	PART NUMBER	DESCRIPTION	MATERIAL	PLATING

THIS DRAWING IS A CONTROLLED DOCUMENT.		DWN M.STEIN 16-MAY-97	TE Connectivity		
		CHK F.REICHARDT 16-MAY-97			
DIMENSIONS: mm		TOLERANCES UNLESS OTHERWISE SPECIFIED: DIN ISO 8015 DIN ISO 2768-mK		NAME AMPMODU 2mm RASTER, CRIMPKONTAKT	
		0 PLC ± -		PRODUCT SPEC	
		1 PLC ± -		108-18544	
MATERIAL SEE TABLE		2 PLC ± -		APPLICATION SPEC	
		3 PLC ± -		SIZE	
FINISH SEE NOTES		4 PLC ± -		CAGE CODE	
		ANGLES ± -		DRAWING NO	
		WEIGHT		RESTRICTED TO	
		CUSTOMER DRAWING		SCALE 10:1	
		A3 00779 C-969129		SHEET 1 OF 1	
				REV B1	