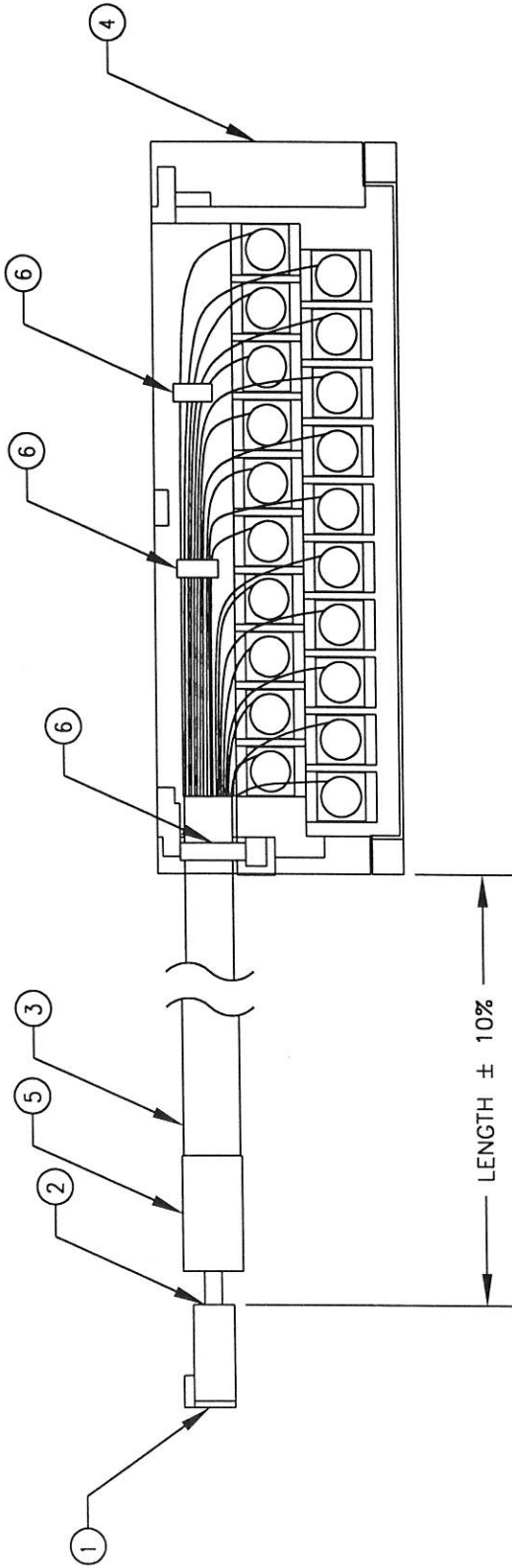


Note: FIM 998064

| REVISIONS |             |                  |
|-----------|-------------|------------------|
| REV.      | DESCRIPTION | CMPLT. BY APPRV. |
|           |             |                  |



NOTES:

1. CUT AND STRIP CABLE AS REQUIRED TO ACHIEVE LENGTH SPECIFIED IN TABLE.
2. CUT UNUSED WIRE ENDS BACK TO JACKET BEFORE HEATING SHRINK TUBING.

| BUB. # | DESCRIPTION             | QTY.  |
|--------|-------------------------|-------|
| 1      | CONNECTOR 20-PIN FEMALE | 1     |
| 2      | CRIMP AND POKE TERMINAL | 20    |
| 3      | CABLE 20-COND 22AWG     | A/R   |
| 4      | TERMINAL BLOCK GE 90-30 | 1     |
| 5      | SHRINK TUBING 1/2"OD    | 100mm |
| 6      | TIE WRAP 4" NYLON       | 3     |

| CATALOG NO. | LENGTH (m) |
|-------------|------------|
| 998065      | 0.5        |
| 998066      | 1.0        |
| 998067      | 1.5        |
| 998068      | 2.0        |

|   |  |   |  |
|---|--|---|--|
| <p><b>Weidmüller</b><br/>WEIDMÜLLER INC.<br/>821 SOUTHLAKE BLVD.<br/>RICHMOND, VIRGINIA 23236</p>   | <p>CAT. NO. VARIOUS<br/>DRWN D.C. COLLINS<br/>BY</p> | <p>TITLE<br/>FPA/C GE 693MDL740/742</p> | <p>PROPRIETARY RIGHTS :<br/>THIS DOCUMENT INCLUDES DESIGN AND ENGINEERING CONCEPTS WHICH ARE THE PROPERTY OF WEIDMÜLLER INC. AND THIS DOCUMENT OR ITS CONTENTS MAY NOT BE DISCLOSED TO OTHERS, REPRODUCED, COPIED, OR USED WITHOUT WRITTEN AUTHORITY FROM WEIDMÜLLER INC. IN RICHMOND, VIRGINIA.</p> |
|   | <p>APPROVED <i>cd</i></p>                            | <p>REL. DATE 9/22/97</p>                | <p>TOLERANCE ON :<br/>.x = +/- 0.508 mm<br/>.xx = +/- 0.254 mm<br/>.xxx = +/- 0.127 mm<br/>∅ = +/- .30<br/>UNLESS OTHERWISE SPECIFIED ALL DIMENSIONS ARE IN MILLIMETERS<br/>( ) INDICATES REFERENCE DIMENSIONS</p>   |
| <p>DISTRIBUTION: <input checked="" type="checkbox"/> P/N <input checked="" type="checkbox"/> DWG. <input type="checkbox"/> PROD. <input checked="" type="checkbox"/> INSP. <input type="checkbox"/> OTHER</p> | <p>PRODUCTION RELEASE PAGE 1</p>                     | <p>SCALE: DO NOT SCALE</p>              | <p>DRAWING NUMBER 1100315</p>  |
| <p>REV. DATE</p>  | <p>SHEET 1 OF 2</p>                                  | <p>REV. 0</p>                           | <p>REV. 0</p>  |