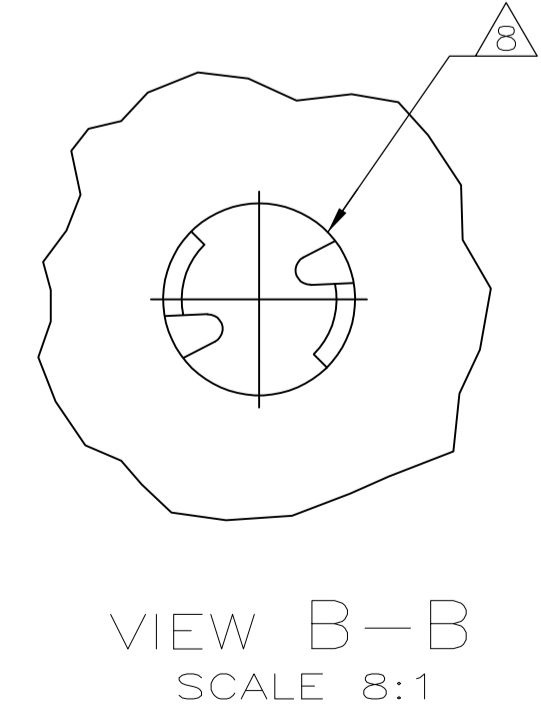
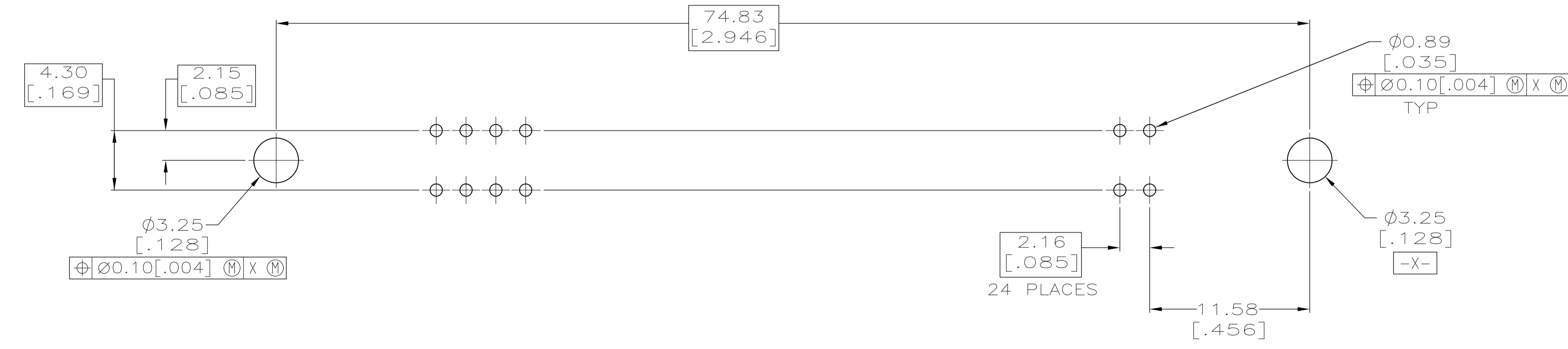
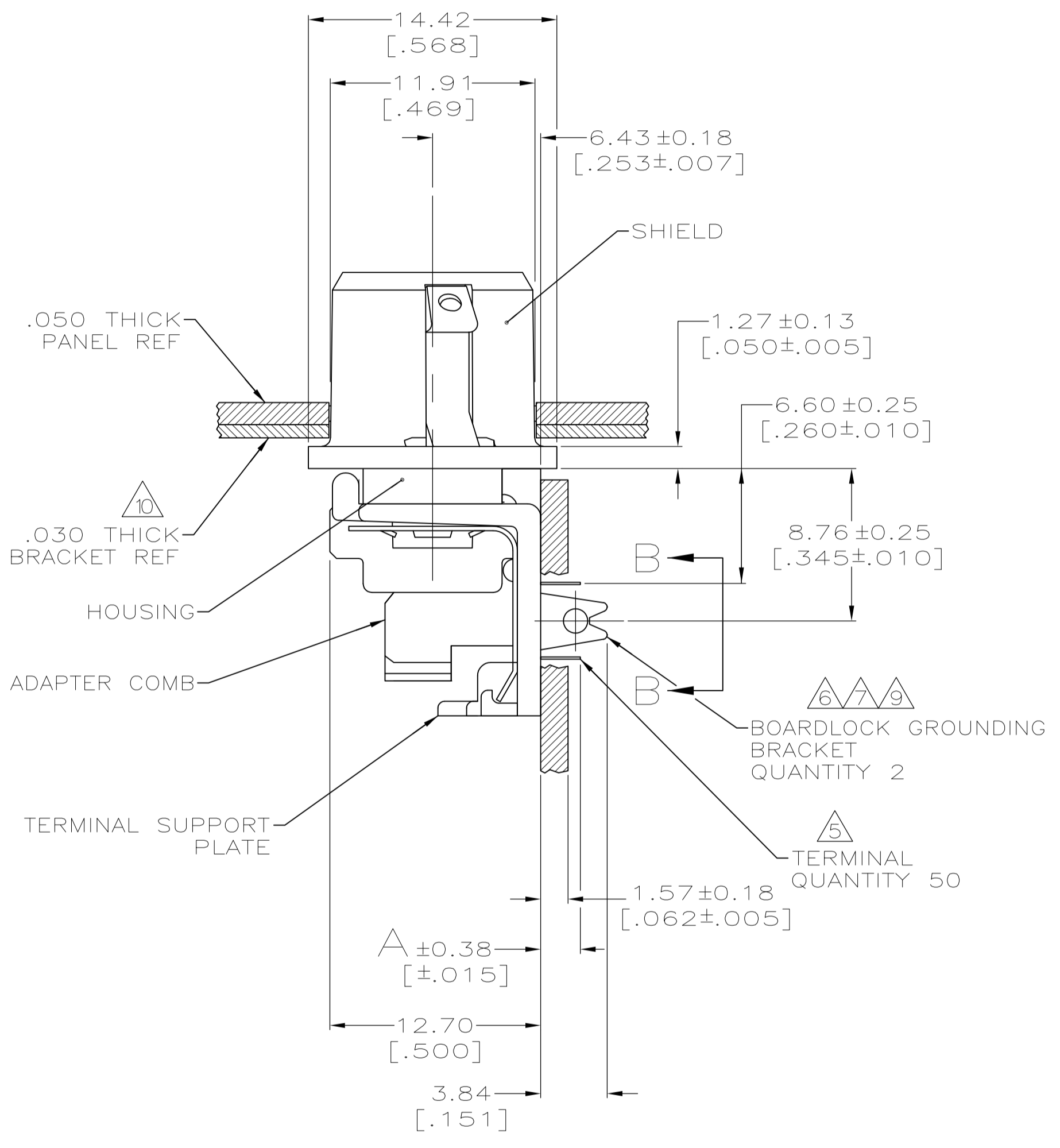
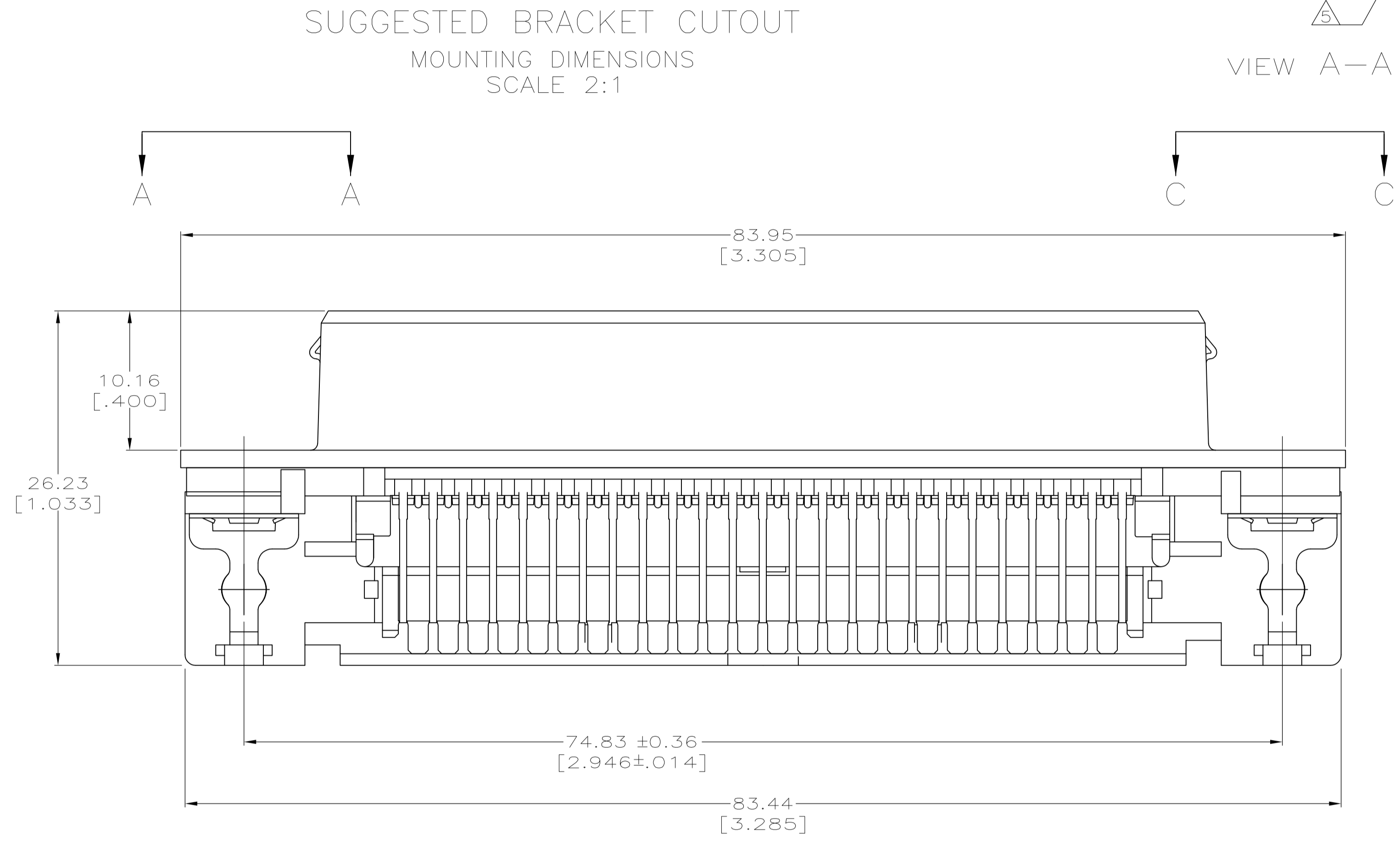
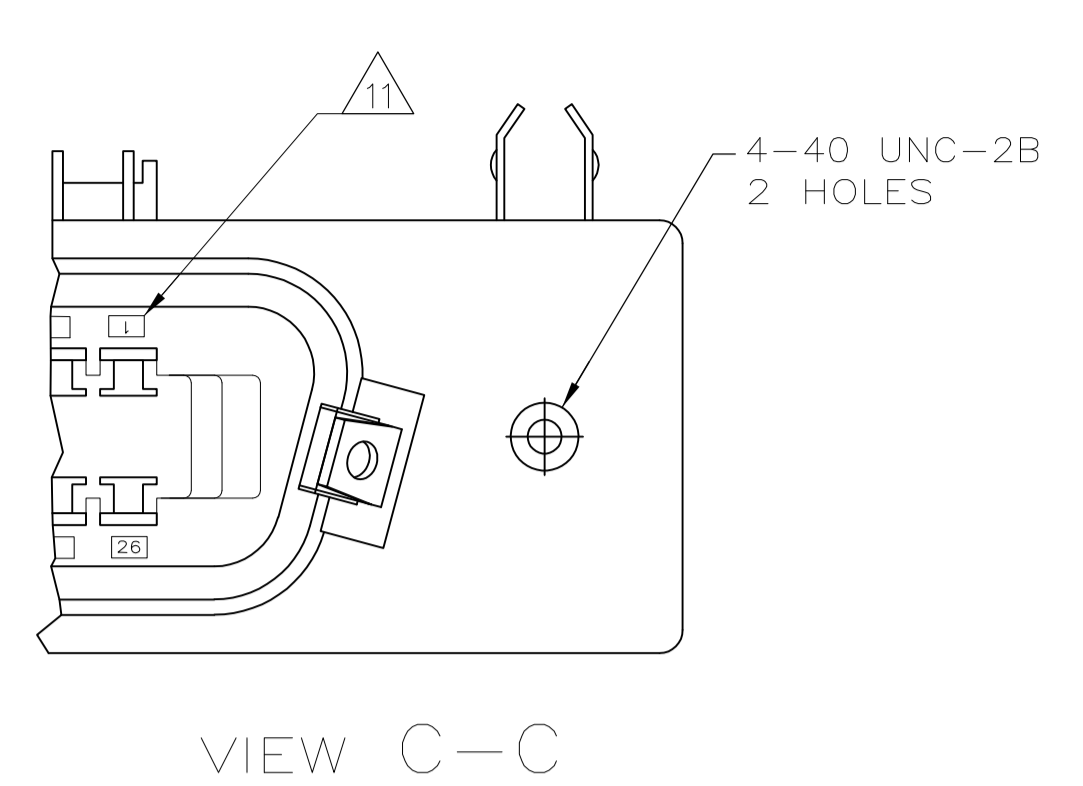
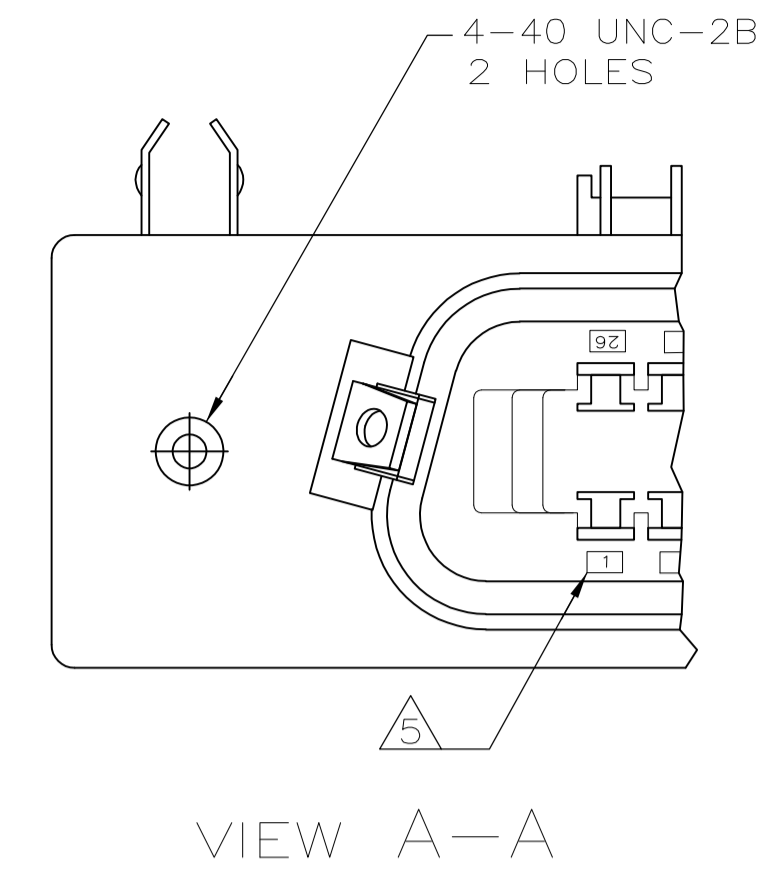
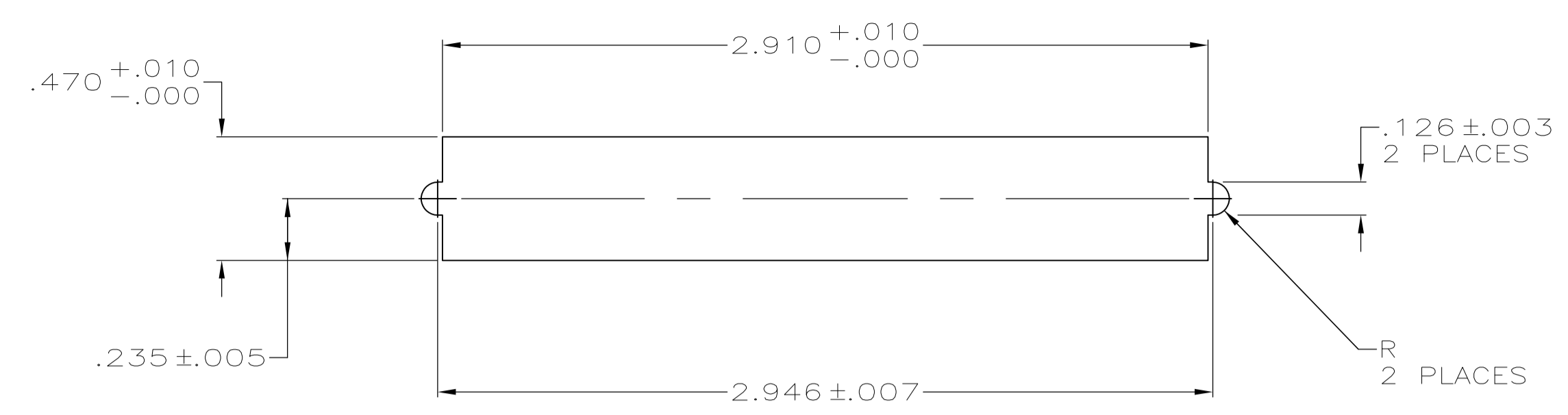


LOC		DIST		REVISIONS			
GP	00	REV	DATE	BY	CHK	APPV	
H		REVISED PER ECO-08-007327	08APR08	BM	WM		
H1		REVISED ECO ECO-09-024717	05NOV09	KK	AEG		



- MATERIAL:**
 HOUSING, ADAPTER COMB AND SUPPORT PLATE - POLYESTER, BLACK.
 TERMINALS - HIGH STRENGTH COPPER ALLOY PLATED WITH EITHER 0.76μm [.000030] MIN GOLD PLATE OR GOLD FLASH OVER PALLADIUM NICKEL PLATE, 0.76μm [.000030] MIN TOTAL ON MATING SURFACE. 3.05μm [.000120] MIN TIN-LEAD PLATE ON TAILS. ALL OVER 1.27μm [.000050] MIN NICKEL UNDERPLATE OVER ENTIRE TERMINAL.
 SHIELD - BRIGHT NICKEL OVER COPPER PLATED ZINC.
 BOARDLOCK GROUND BRACKET - TIN-LEAD PLATED CARBON STEEL.
- THE CONTACT SURFACES OF THE TERMINALS ARE COATED WITH LUBRICANT.
 - CENTER-TO-CENTER SPACING OF TERMINALS IS 2.16 [.085] NOMINAL.
- ALL DIMENSIONS SHOWN ARE MAXIMUM UNLESS OTHERWISE SPECIFIED.
- TERMINAL 1 LOCATED IN THIS ROW FOR STANDARD ORIENTATION, SEE VIEW A-A.
- BOARDLOCK GROUNDING BRACKET RETAINS CONNECTOR IN 1.58 [.062] THICK PC BOARD WITHOUT ADDITIONAL HARDWARE.
- BOARDLOCK GROUNDING BRACKET LOCATES CONNECTOR FLUSH WITH TOP OF PC BOARD AND SPRING LOCKS BENEATH.
- CYLINDRICAL SHAPE OFFERS 180° OF SOLDERING SURFACE.
- SURFACE AREA OF BOARDLOCK GROUNDING BRACKET BELOW PC BOARD SHALL PASS SOLDERABILITY REQUIREMENTS IN ACCORDANCE WITH AMP SPEC 109-11-2. DISCOLORATION, SCRATCHES, SPOTS AND OTHER COSMETIC DEFICIENCIES TYPICAL OF BARREL PLATING PROCESSES ARE ACCEPTABLE PROVIDING PARTS PASS 24 HOUR EXPOSURE AT 95% RH AT 40° WITHOUT EVIDENCE OF CORROSION.
- OPTIONAL BRACKET SUPPLIED BY CUSTOMER.
- TERMINAL 1 LOCATED IN THIS ROW FOR REVERSE ORIENTATION, SEE VIEW C-C.
- OBSOLETE
- OBSOLETE PARTS: OBSOLETE CIS STREAMLINING PER D.RENAUD/D.SINISI

SUPERSEDED	3.175 [.125]	1-26	REVERSE, VIEW C-C	1339447-9
13	2.29 [.090]	NONE	REVERSE, VIEW C-C	1339447-8
OBSOLETE	2.29 [.090]	NONE	STANDARD, VIEW A-A	1339447-7
	2.29 [.090]	25-50	REVERSE, VIEW C-C	1339447-6
	2.29 [.090]	25-50	STANDARD, VIEW A-A	1339447-5
	2.29 [.090]	1-26/25-50	REVERSE, VIEW C-C	1339447-4
SUPERSEDED	2.29 [.090]	1-26/25-50	STANDARD, VIEW A-A	1339447-3
	2.29 [.090]	1-26	REVERSE, VIEW C-C	1339447-2
	2.29 [.090]	1-26	STANDARD, VIEW A-A	1339447-1

THIS DRAWING IS A CONTROLLED DOCUMENT.		D.L. DRUMMOND 11APR01		Tyco Electronics Corporation	
D.L. DRUMMOND 12APR01		D.L. DRUMMOND 12APR01		Harrisburg, PA 17105-3608	
D.L. DRUMMOND 12APR01		A.W. REID 12APR01		NAME	
DIMENSIONS: mm [INCHES]		TOLERANCES UNLESS OTHERWISE SPECIFIED:		RECEPTACLE ASSEMBLY, LOW PROFILE, SHIELDED, RIGHT ANGLE, 50 POSITION, BOARD LOCK, INTEGRAL LOCKING LATCH, CHAMP	
0 PLC ±		1 PLC ±		APPLICATION SPEC	
2 PLC ±		3 PLC ±		SIZE	
4 PLC ±		ANGLES ±		CAGE CODE	
MATERIAL		FINISH		WEIGHT	
CUSTOMER DRAWING		SCALE 4:1		SHEET 1 OF 1	