

MOTOR DRIVE CONTROLLER



- MASTER AND FOLLOWER MODES OF OPERATION
- PROGRAMMABLE SETPOINTS:
 - TWO SPEED (Master)
 - TWO RAMP RATE (Master)
 - TWO RATIO (Follower)
 - TWO RATIO RAMP RATE (Follower)
 - ONE JOG SPEED
 - ONE JOG RAMP RATE
- 8 CHARACTER BY 2 LINE ALPHANUMERIC DISPLAY
- FOUR PROGRAMMABLE INDICATION DISPLAYS

- ON LINE SETPOINT INCREMENT/DECREMENT
- SELECTABLE DISPLAY SCROLLING
- ABILITY TO LIMIT OPERATOR ACCESS TO PROGRAMMING PARAMETERS
- ENGLISH PROGRAMMING MENUS
- FREQUENCY INPUTS ARE SWITCH SELECTABLE FOR A VARIETY OF SOURCES
- PROGRAMMABLE CONTROL INPUTS
- THREE SOLID STATE OUTPUTS
- VARIABLE SPAN (5 TO 15 VDC) ISOLATED DRIVE OUTPUT
- FEEDBACK LOSS DETECTION
- PROGRAMMABLE ALARM TYPES
- INTERNAL OR EXTERNAL DRIVE OUTPUT REFERENCE
- DIAGNOSTICS MODE
- 115/230VAC SWITCH SELECTABLE
- NON-VOLATILE MEMORY
- NEMA 4X/IP65 SEALED FRONT PANEL BEZEL

DESCRIPTION

The Motor Drive Controller (MDC) regulates motor speed by varying an isolated DC control signal to a motor drive system. There are two modes of operation, Master and Follower.

Master Mode provides control of a motor directly via programmed speed setpoints in the MDC. Regulation is maintained by a feedback frequency to the MDC taken from the motor shaft or a downstream shaft pulse encoder. Follower Mode controls a motor's speed as a ratio to a second motor's speed or outside frequency source. Ratio setpoints are programmed into the MDC causing the motor to "follow" the lead motor or frequency at a fixed speed ratio.

Master Mode has two speed setpoints and two ramp setpoints. Follower Mode has two ratio setpoints and two ramp setpoints. Both modes share a jog speed setpoint and a jog ramp setpoint. All setpoints are retained in non-volatile memory when the unit is powered down.

The Motor Drive Controller has the added feature of allowing real time adjustment of the Speed (*Master Mode*) or Ratio (*Follower Mode*) setpoint while the unit is operating a motor drive system. The setpoint may be adjusted via the front panel keypad using the "Up" or "Down" arrow keys, or via 2 User Inputs programmed for increment setpoint and decrement setpoint.

User flexibility is provided through the two-line by eight-character alphanumeric display. The display features English language menus for easy viewing and simplified programming. The four scroll-through indication displays can be programmed to show various parameters and to automatically scroll, if desired. A program disable DIP switch used with an external User Input can be utilized to protect the settings and guarantee that no unwanted changes occur during operation.

There are five dedicated control inputs on the MDC:

- RUN
- RAMP STOP
- FAST STOP
- JOG
- OPEN LOOP

There are six programmable control inputs: two front panel function keys and four remote user inputs. The F1 and F2 keys are factory programmed for RUN and R-STOP respectively. This eliminates the need for external switches in some applications.

There are three solid state outputs, two are programmable alarms and one is a dedicated Drive Enable output. Programmable alarm functions include:

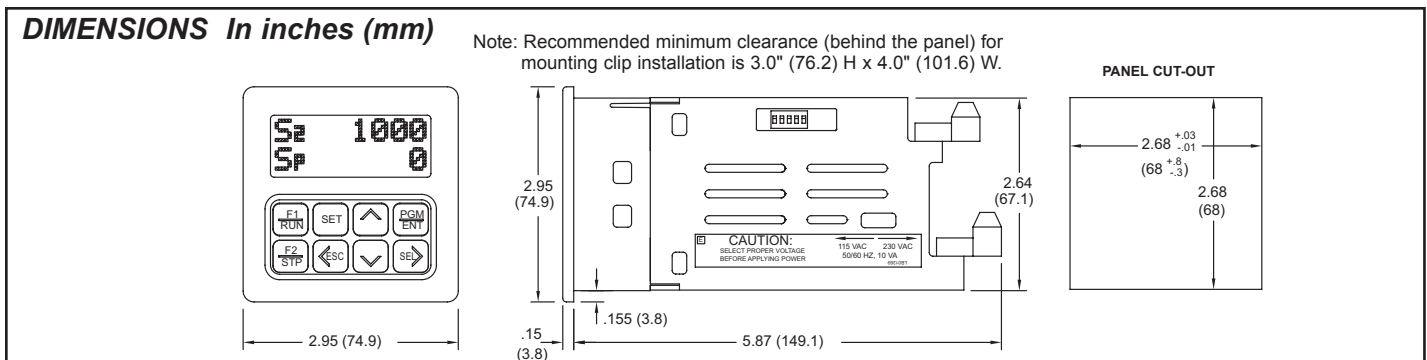
- High Alarm
- Low Alarm
- Deviation Alarm
- Zero Speed
- Disabled

These may be programmed for boundary or latching operation, high or low acting.

Changing speed setpoints and programming information is easily accomplished by scrolling through menus and selecting the correct parameter. There are three main modules or menu loops:

- Display Module
- User Setpoint Module
- Programming Module

Scaling is accomplished by entering the desired values for feedback pulses per revolution (PPR), the maximum RPM, and the maximum display value.



DESCRIPTION (Cont'd)

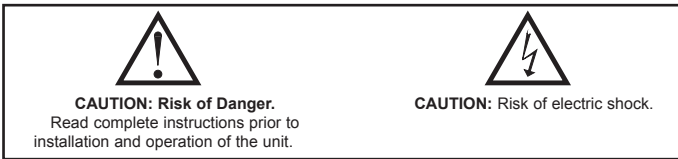
The unit is factory configured for an isolated 0 to 10 VDC drive output signal. The output drive signal can be adjusted to span from 0 to 15 VDC via an accessible potentiometer. The drive output is jumper selectable for an external reference. To use the external reference, the MDC is connected to the drive in place of an external potentiometer.

The Motor Drive Controller has a light weight, high impact plastic case with a clear viewing window. The sealed front panel meets NEMA4X/IP65 specifications for wash-down and/or dusty environments, when properly installed. Plug-in style terminal blocks simplify installation and wiring change-outs.

SAFETY SUMMARY

All safety related regulations, local codes and instructions that appear in the manual or on equipment must be observed to ensure personal safety and to prevent damage to either the instrument or equipment connected to it. If equipment is used in a manner not specified by the manufacturer, the protection provided by the equipment may be impaired.

Do not use this unit to directly command motors, valves, or other actuators not equipped with safeguards. To do so, can be potentially harmful to persons or equipment in the event of a fault to the unit.



SPECIFICATIONS:

1. **DISPLAY:** 2x8, 0.3" (7 mm) high characters, negative image transmissive LCD, with red LED backlighting.

2. **POWER:** 115/230 VAC $\pm 10\%$, 50/60 Hz, 10 VA, switch selectable.

3. **MEMORY:** Non-volatile E²PROM retains all programming information and values when power is removed or interrupted.

Power Cycles(ON/OFF): 100,000 min.

Data Retention: 10 years min.

4. **SENSOR POWER:** +12 VDC $\pm 25\%$ @ 100 mA.

5. **INPUTS (LEAD AND FEEDBACK):** DIP Switch selectable to accept input pulses from a variety of sources including outputs from CMOS or TTL circuits and all standard RLC sensors.

Input Freq:

1 Hz to 20 KHz (Master Mode), 1 Hz to 12 KHz (Follower Mode).

Logic: Input trigger levels $V_{IL} = 1.5 V_{MAX}$; $V_{IH} = 3.75 V_{MIN}$.

Current Sinking: Internal 7.8 K Ω pull-up to +12 VDC, $I_{MAX} = 1.6$ mA.

Current Sourcing: Internal 3.9 K Ω pull-down, 7.3 mA @ 28 VDC_{MAX}.

Magnetic Pickup:

Sensitivity: 200 mV PEAK.

Hysteresis: 100 mV.

Input impedance: 3.9 K Ω @ 60 Hz.

Maximum input voltage: ± 50 V PEAK.

Note: For magnetic pickup input, the Sink/Source DIP switch must be in the SRC position.

6. **CONTROL LOOP RESPONSE:** 10 msec (Master Mode), 20 msec (Follower Mode).

7. **CONTROL ACCURACY:**

0.01% of Speed Setpoint (Master Mode)

0.02% of Ratio Setpoint (Follower Mode)

Minimum Frequency Resolution: 0.00125 Hz

8. **ERROR TRIM:** ± 4095 BITS.

9. **ERROR GAIN:** 0 to 99%.

10. **RAMP RATE:** (Ramp 1, Ramp 2, and Jog Ramp)

1 Hz to 20 KHz/sec, set in user units/sec.

0.0001 to 1.9999 ratio units/sec (Ramp 1 & 2 in Follower Mode).

11. **CONTROL INPUTS:**

Internal 10 K Ω pull-up to +5 VDC. $V_{IL} = 1.0 V_{MAX}$, $V_{IH} = 4.0 V_{MIN}$.

Response time = 10 msec nominal, 30 msec max.

INPUTS

RUN
FAST STOP
RAMP STOP
JOG
OPEN LOOP
USER INPUTS(4)

SWITCH CONNECTIONS

Momentary N.O.
Momentary N.C.
Momentary N.C.
Sustained N.O.
Maintained
Function Specific

12. **OUTPUTS:**

Drive Enable, Alarm 1, and Alarm 2:

Solid state, current sinking NPN Open collector transistor.

$V_{CE} = 1.1 V_{SAT}$ @ 100 mA max., $V_{OH} = 30$ VDC max.

(Internal zener diode protection.)

Response Time:

Drive Enable: 10 msec nominal; 30 msec max.

Alarm 1&2: Programmable

Normal: 1 sec nominal, 2 sec max.

Fast: 20 msec nominal, 40 msec max.

Isolated Drive Output: Jumper selectable internal/external reference 5 mA max.

Internal Reference: Pot adjustable from 0 to 5 VDC min. through 0 to 15 VDC max. span.

External Reference: 15 VDC max. (positive polarity only).

Isolation: 2300 Vrms for 1 minute
250 V working

13. **ENVIRONMENTAL CONDITIONS:**

Operating Temperature: 0 to 50°C

Storage Temperature: -40 to 70°C

Operating and Storage Humidity: 85% max. RH (non-condensing) from 0°C to 50°C.

Altitude: Up to 2000 meters

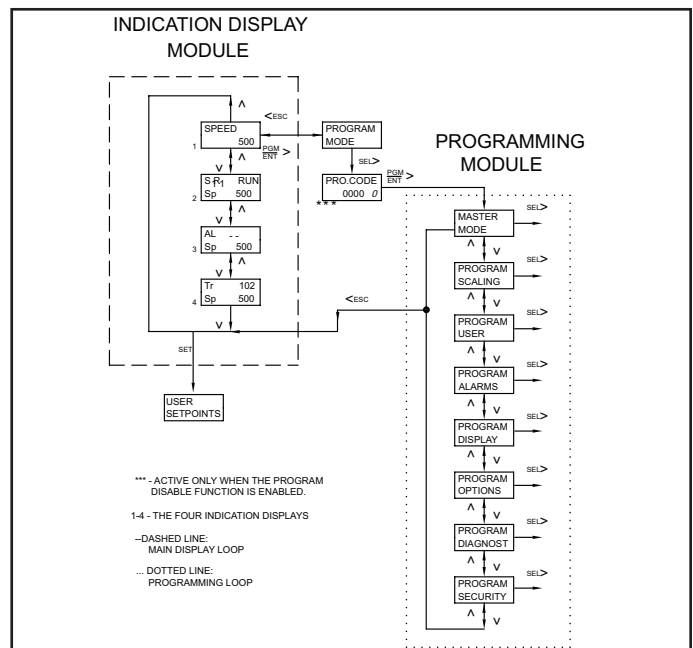
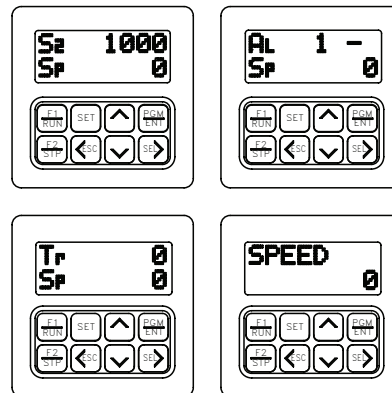
14. **CONSTRUCTION:** High impact plastic case with clear viewing window.

The front panel meets NEMA4 X/IP65 requirements for indoor use when properly installed. Installation Category II, Pollution Degree 2. Panel gasket and mounting clips included.

15. **WEIGHT:** 1.5 lbs. (0.68 Kg).

PROGRAMMING

Programming the MDC unit is accomplished through the front panel keypad, which allows the user to enter into Main Menus, Sub-Menus, and Edit Menus. The English language prompts, the flashing parameter values, and the front panel keypad aid the operator during programming. In the normal run mode, the main display loop allows the user to scroll through the four programmable indication displays, using the direction keys. From the main loop, setpoints, alarm values and a gain value may be accessed directly for changes, without entering the programming loop. All other parameters are accessed through the programming loop, which can be set to require an access code number for loop entry. In the programming loop, parameters can be viewed or changed and the operator can exit anywhere in the loop.



PROGRAMMABLE FUNCTIONS

MODES

- Master
- Follower

SCALING

- Pulses per Revolution Feedback (PPR FB) ranges from 1 to 59999
- Maximum RPM Feedback (MAX RPM FB) ranges from 1 to 59999
- Display Decimal Point (DSP DP) ranges from 0 to 0.00000
- Maximum Display Units (DSP UNIT) ranges from 1 to 99999
- *Pulses per Revolution Lead (PPR LD) ranges from 1 to 59999
- *Maximum RPM Lead (MAX RPM LD) ranges from 1 to 59999

*These parameters are available in Follower Mode only.

Note: Values may be programmed in the range listed, provided that the maximum equivalent frequency does not exceed 20971 Hz. If this occurs, "OVFLW" will flash and a new entry will be required.

SETPOINTS

- 2 SPEED (Master Mode)** - ranges from 0 to 99999 (or Display Unit Max.).
- 2 RAMP RATE (Master Mode)** - ranges from 1 to 99999.
- 2 RATIO (Follower Mode)** - ranges from 0.0000 to 1.9999.
- 2 RAMP RATE (Follower Mode)** - ranges from 0.0001 to 1.9999 ratio units.
- 1 JOG SPEED** - ranges from 0 to 99999 (or Display Unit Maximum).
- 1 JOG RAMP RATE** - ranges from 1 to 99999.
- 2 ALARM** - ranges from 0 to 99999.
- 1 GAIN** - ranges from 0 to 99.

Note: Values may be programmed in the ranges listed, provided that the maximum equivalent frequency does not exceed 20,971 Hz (20 KHz/sec for Ramp Rate). If this occurs, a message will flash and the maximum is automatically entered by the unit.

USER INPUTS

There are four programmable external user inputs and two programmable front panel function keys. The options for each user input are the same, except for the two function keys (F1/RUN & F2/STP), which have additional options.

No Mode:

If a user input terminal or a function key is activated, it will be ignored.

View Display 1-4:

Causes the selected indication display (1, 2, 3, or 4) to be displayed and held from anywhere in the main display loop.

Change Display:

Causes the indication display to toggle to the next indication display.

Reset Alarm(s) Output:

Places the alarm(s) output(s) in its inactive state.

Setpoint Select/Toggle:

Selects Setpoint 1 or Setpoint 2 for the active speed (or ratio) setpoint. This is a maintained select action for User Inputs 1 to 4, and a momentary toggle action for F1 or F2.

Ramp Select/Toggle:

Selects Ramp 1 or Ramp 2 for the active acceleration and deceleration ramp rate. This is a maintained select action for User Inputs 1 to 4, and a momentary toggle action for F1 or F2.

Ramp Override:

Overrides the acceleration/deceleration ramp routine causing the unit to jump to the ramp endpoint.

Setpoint Increment:

Only an external User Input can be used for this option. The currently active speed or ratio setpoint is incremented when the User Input is made active. If the input remains active for more than 5 display unit increments, the scroll rate will progressively increase.

Setpoint Decrement:

Only an external User Input can be used for this option. The currently active speed or ratio setpoint is decremented when the User Input is made active. If the input remains active for more than 5 display unit increments, the scroll rate will progressively increase.

Program Disable:

Only an external user input can be used for this option. When used with the program disable DIP switch, this option can limit operator access to programmable parameters.

Run (F1 only):

Pressing the F1 button causes the MDC to accelerate the motor from Stop mode to the active speed setpoint using the active ramp rate.

R-Stop(F1 or F2 only):

Pressing the function key programmed for R-Stop causes the unit to decelerate the motor from its active speed to Stop mode using the active ramp rate.

F-Stop(F1 or F2 only):

Pressing the function key programmed for F-Stop causes the unit to execute a fast stop, taking the motor from its current speed immediately to the stop mode. The deceleration is limited only by the motor and drive.

Jog(F1 or F2 only):

This function is only available from the Stop mode. Pressing and holding the function key programmed for Jog causes the unit to accelerate the motor to the jog speed setpoint using the jog ramp rate.

ALARMS

Type Of Alarm:

High Alarm: Alarm output activates when the feedback input is greater than or equal to the alarm value.

Low Alarm: Alarm output activates when the feedback input is less than or equal to the alarm value.

Deviation Alarm: The alarm output activates when the feedback input is outside a ± band.

Zero Speed Alarm: Alarm output activates when the feedback input receives no input pulse for at least one second.

Disabled: The alarm output is inactive when disabled.

Phase:

Each output can have its active logic state set for Positive phase (ON) or Negative phase (OFF).

Latched Or Boundary:

An alarm programmed for a latched output stays active until it is manually reset by a User Input. An alarm programmed for boundary output stays active as long as the alarm condition exists, after which the output returns to its inactive state.

Fast Or Normal Update:

The normal update rate for the alarm outputs is once each second. The fast update rate occurs at an interval less than or equal to 40 msec.

INDICATION DISPLAYS

If an indication display is to show two different numeric values, one for each line, there will be a single or dual character mnemonic to the left of the numeric value. Each line of each indication display can be programmed to show mnemonics or a numeric value. The following list shows the single or dual character mnemonics that will be displayed when value is selected and the mnemonics for each programmable option.

VAL	MNE	DESCRIPTION
S1 99999	SETPT. 1	Speed or ratio setpoint 1
S2 99999	SETPT. 2	Speed or ratio setpoint 2
Sp 99999	SPEED	Actual speed in user display units (feedback)
R 1.999	RATIO	Actual ratio (follower mode)
%D 100.0	% DEV.	% deviation of actual speed from target speed
%O 100.0	% OUTPUT	Analog drive output- % of full scale voltage
FB 20971	FB. FREQ	Feedback frequency in pulses/sec (Hz.)
LD 12000	LD. FREQ	Lead frequency in pulses/sec (Hz.)
A1 99999	ALARM 1	Alarm 1 setpoint
A2 99999	ALARM 2	Alarm 2 setpoint
Tr 4095	TRIM	Error correction in bits (-4095 to +4095)

STATUS DISPLAYS

Operating Status:

Setpoint 1, ramp rate 1, Stop mode

Alarm Output Status:

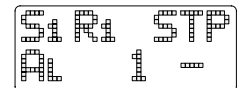
Alarm 1 active, alarm 2 inactive

Operating Status:

The operating status display indicates the currently active speed or ratio setpoint (S1 or S2), the currently active ramp rate (R1 or R2), and the mode of operation (RUN, STP, or JOG). An arrow will replace the "R" for the currently active ramp rate indication when an actual ramp up or down is in progress.

Alarm Status:

The alarm status display indicates that an alarm output is active when the corresponding output number (1 or 2) is displayed. When an alarm output is inactive, a dash is displayed.



OPERATOR ACCESS

This is used with the program disable DIP switch or an external user input that is selected for the program disable function. When a setpoint is selected as NO, it can be viewed, but NOT changed from the front panel keypad. The following setpoint values can be disabled from front panel access programming:

Speed/Ratio Setpoint 1 and 2	Jog Speed
Ramp Rate 1 and 2	Jog Ramp
Alarm Setpoint 1 and 2	Gain
Setpoint Scroll Menu	

USER SETTINGS

The operator can reset ALL parameters to the factory settings if desired.

PROGRAM DIAGNOSTICS

This allows testing of the various MDC inputs and outputs. It is especially useful after unit installation to independently test the operation of external switches, relays, the feedback transducer, and the motor drive system.

Inputs - The MDC displays an alphanumeric character to indicate a Dedicated Function Input or a User Input is active. This allows the user to check switch operation and wiring connections to the Inputs.

Alarm Outputs - The up and down arrow keys are used to select an alarm output and set it to the active or inactive state. This allows the user to check the operation of devices wired to the alarm outputs and the wiring connections.

Drive Output - This function allows the user to test the Drive System. A % Output value is entered through the front panel keypad causing the motor to run at the corresponding open loop speed. The display indicates the motor's feedback frequency.

PROGRAM SECURITY

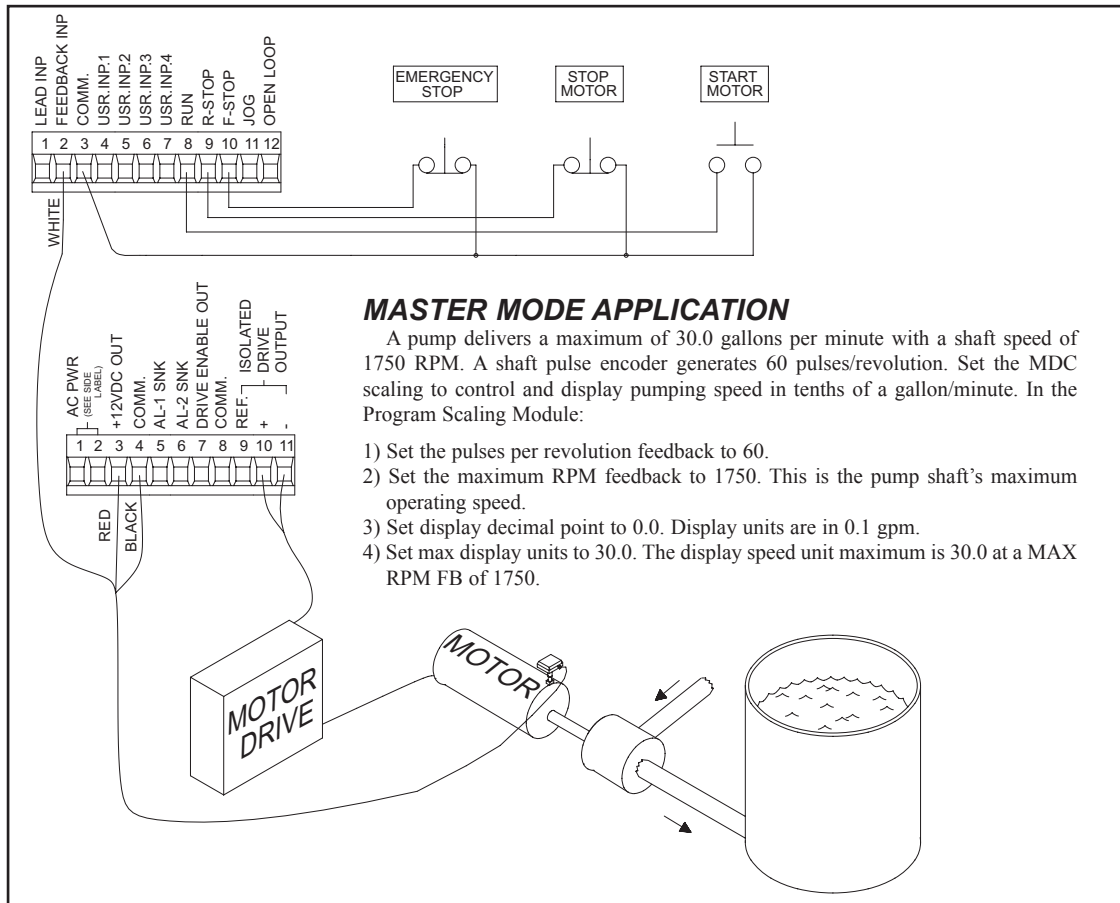
The programmable code number is used in conjunction with the program disable DIP switch and/or a user input programmed for the program disable function to limit operator access to programming.

FOLLOWER MODE APPLICATION

A fertilizer production facility is mixing pellets containing Nitrogen with pellets that contain Phosphorus. A chemical ratio of 1:1 is determined by the speed of two different conveyors. Because of differences in the gearing of the conveyor and concentration of the pellets, the Nitrogen conveyor motor must run at 3 times the speed of the Phosphorus conveyor motor in order to produce a 1:1 mixture. The maximum speed of both motors is 2000 RPM. Set the follower MDC scaling to produce a 1:1 mixture of Nitrogen and Phosphorus when a setpoint of 1.0000 is entered. Display speed units are in RPM's. Both the lead and feedback frequency are taken from 60 tooth gears on each motor shaft.

- 1) Choose the Phosphorus conveyor motor for the follower MDC. It runs slower than the Nitrogen conveyor motor.
- 2) Set the Pulses per revolution feedback to 60.
- 3) Set the MAX RPM feedback to 2000. This is the conveyor motor's maximum operating speed.
- 4) Set display decimal point to 0.
- 5) Set display unit to 2000. The display speed unit maximum is 2000 at a MAX RPM FB of 2000. If the display units wanted were conveyor feet/minute or Phosphorus pellets in lbs/sec, the equivalent display value for 2000 RPM would be entered.
- 6) Set the pulses per revolution lead to 60.
- 7) Setting the MAX RPM Lead:

This is the Lead RPM that would be necessary to have a 1:1 mixture if the Follower Speed was MAX RPM FB (2000 RPM). Since the Nitrogen conveyor motor must run 3 times as fast as the Phosphorus motor, MAX RPM LD = 3 * 2000 = 6000 RPM. Set MAX RPM LD = 6000 RPM. This is the correct value, even though the Nitrogen conveyor motor would never actually run at 6000 RPM. A ratio setpoint of 1.0000 on the MDC is now equal to a 1:1 mixture of Phosphorus and Nitrogen.



ORDERING INFORMATION

MODEL NO.	DESCRIPTION	PART NUMBERS
MDC	Motor Drive Controller with Red Backlighting	115/230VAC MDC00100