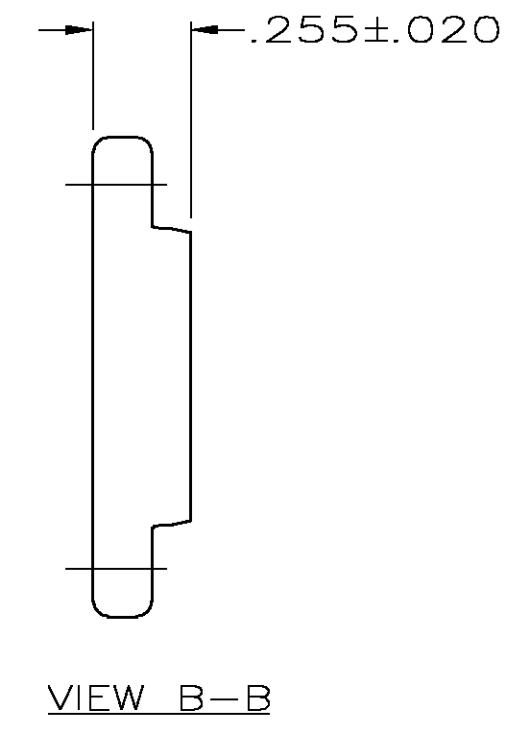
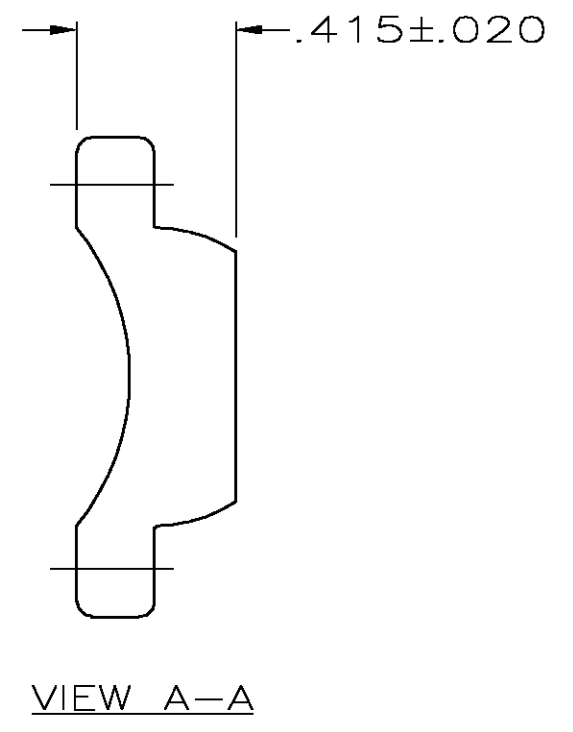
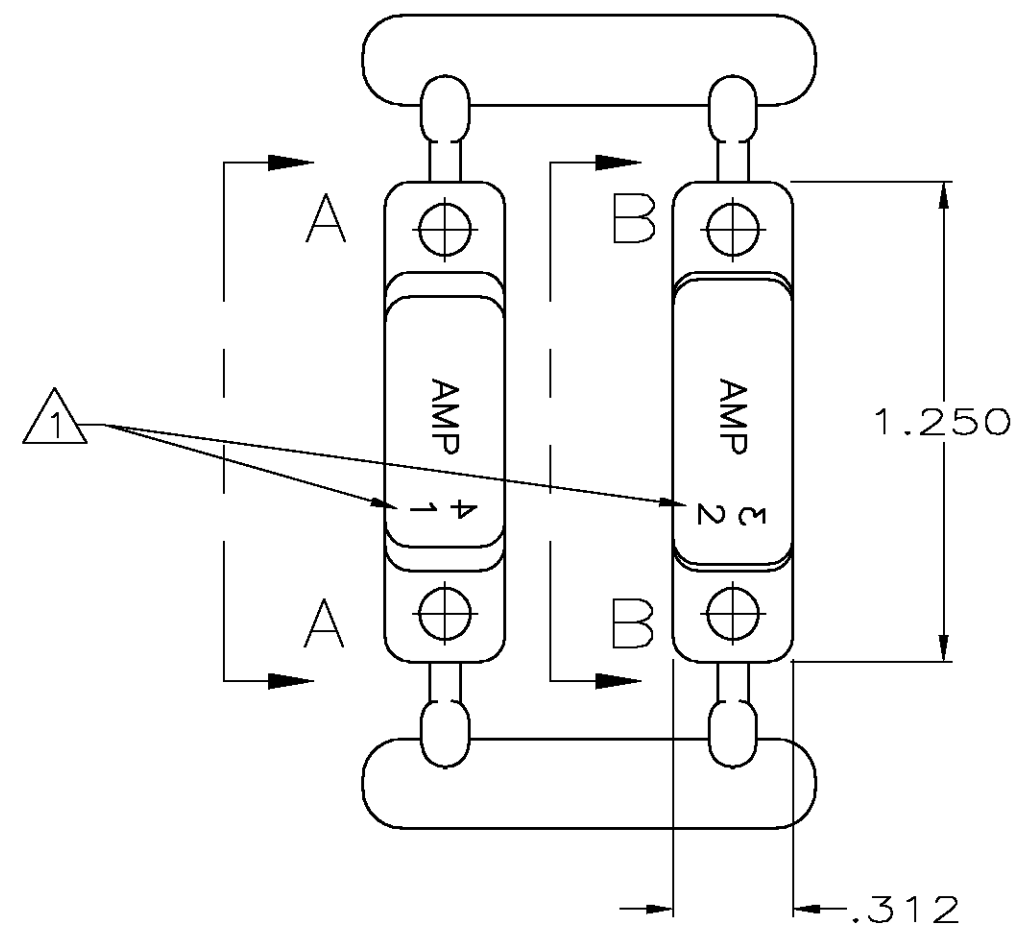


THIS DRAWING IS UNPUBLISHED. RELEASED FOR PUBLICATION
 © COPYRIGHT BY TYCO ELECTRONICS CORPORATION. ALL RIGHTS RESERVED.

LOC	DIST	REVISIONS			
P	LTR	DESCRIPTION	DATE	DWN	APVD
FT	0	C1	REVISED PER ECO-05-628	5/11/05	SS SH



3	207682-2
2	207682-1
MATERIAL	PART NUMBER

- NOTES:**
- ① MOLDED CHARACTER FOR IDENT, .125 MAX HIGH LOCATED APPROX. AS SHOWN (1 & 2 ON FRONT FACE 3 & 4 ON REAR FACE)
 - ② MATERIAL: NYLON, BLACK.
 - ③ MATERIAL: POLYESTER PBT, BLACK.

THIS DRAWING IS A CONTROLLED DOCUMENT.		DWN A GRAFF 4/23/91	Tyco Electronics Corporation Harrisburg, Pa 17105-3608	
DIMENSIONS: INCHES 		CHK W.LENKER 3-4-92		
TOLERANCES UNLESS OTHERWISE SPECIFIED: 0 PLC ± - 1 PLC ± - 2 PLC ± - 3 PLC ± .010 4 PLC ± - ANGLES ± -		APVD -	NAME CABLE CLAMP INSERT, SHELL SIZE 23, CPC	
MATERIAL THERMOPLASTIC		FINISH -	PRODUCT SPEC -	APPLICATION SPEC -
		WEIGHT -	SIZE A3	CAGE CODE 00779
		CUSTOMER DRAWING	DRAWING NO C-207682	RESTRICTED TO -
			SCALE 2:1	SHEET 1 OF 1
				REV C1