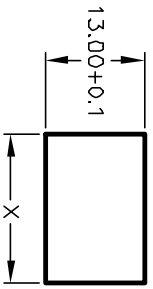
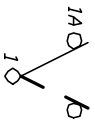


| PANEL THICKNESS | X dimension |
|------------------------|------------------|
| 0.75-1.25 [0.30-.0491] | 19.2-.01 [7.561] |
| 1.25-2.0 [0.49-.079] | 19.4-.01 [7.641] |
| 2.0-3.0 [0.79-.118] | 19.8-.01 [7.801] |



PANEL CUTOUT
NOT TO SCALE

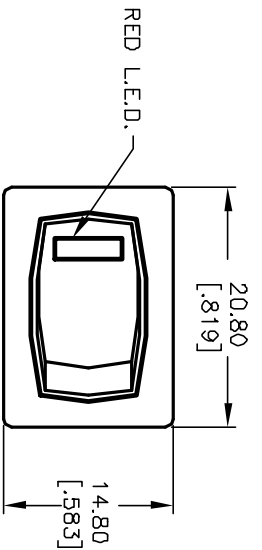
| SWITCH FUNCTION | |
|-----------------|--------|
| PDS, 1 | PDS, 2 |
| DN | OFF |
| 1-1a | DPEN |



CIRCUIT: SPST

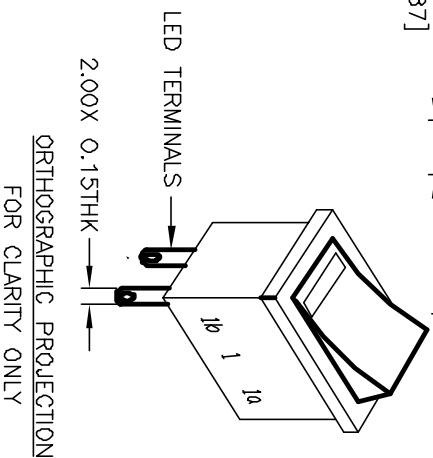
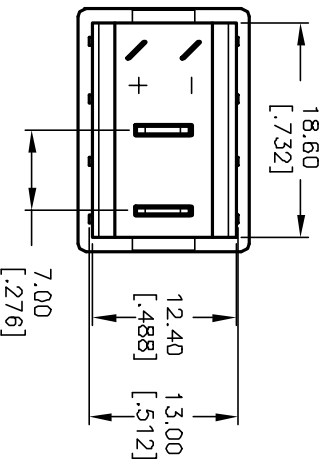
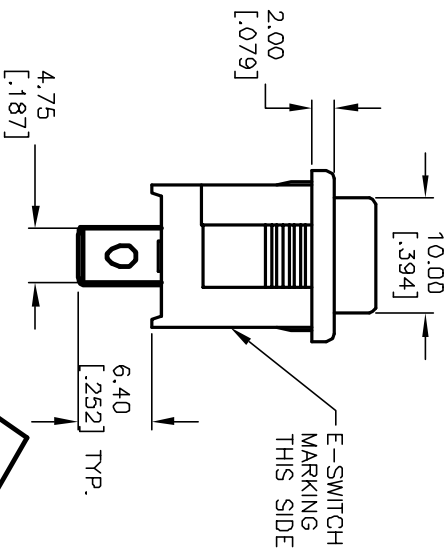
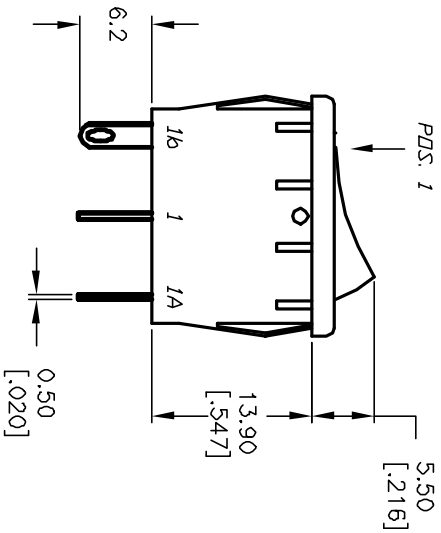
NOTES:

- ALL DIMENSIONS IN MM [INCH]
- GENERAL TOLERANCE: X.X=±0.4
X.XX=±0.25
- TERMINAL NUMBERS FOR REF ONLY
- RATING:
15A @125VAC; 8A @250V UL,VDE,CSA APPROVED
6A @250VAC
- MATERIALS: (TERMINALS) SILVER PLATED COPPER
(CONTACTS) COIN SILVER, SILVER PLATED.
- CONTACT RESISTANCE: <20 Mega
- ELECTRICAL LIFE: 10,000 cycles
- INSULATION RESISTANCE: >1000 Mega
- DIELECTRIC STRENGTH: >1500V 1 minute
>3000V between Poles
- OPERATING TEMP. RANGE: -25°C to +85°C



RED L.E.D

| PARAMETERS | SYMBOL | MAX. TYP. | UNITS |
|----------------------|-----------------|-----------|-------|
| POWER DISSIPATION | P _d | 80 | mW |
| AVE FORWARD CURRENT | I _{af} | -- | mA |
| PEAK FORWARD CURRENT | I _{pf} | 100 | mA |
| REVERSE VOLTAGE | V _r | 5 | V |
| FORWARD VOLTAGE | V _f | 2.1 | V |
| REVERSE CURRENT | I _r | 100 | µA |
| EMISSION WAVELENGTH | λ _p | 660 | nm |
| LUMINOUS INTENSITY | I _v | 30 | mcd |



ORTHOGRAPHIC PROJECTION
FOR CLARITY ONLY

E-SWITCH®

| REV. | ECN No. | DESCRIPTION | DATE | CHKD | TITLE | SCALE | DATE | DR | DWG | REV |
|---|---------|-------------|---------|------|------------------------|-------|---------|----|---------|-----|
| A | 12393 | RELEASED | 8/29/02 | CJB | R1966A BLK BLK E G RED | 1.5:1 | 9/20/01 | CB | M301119 | A |
| <p>THE INFORMATION CONTAINED IN THIS DOCUMENT IS PROPRIETARY TO E-SWITCH AND IS NOT TO BE COPIED OR TRANSFERRED</p> | | | | | | | | | | |