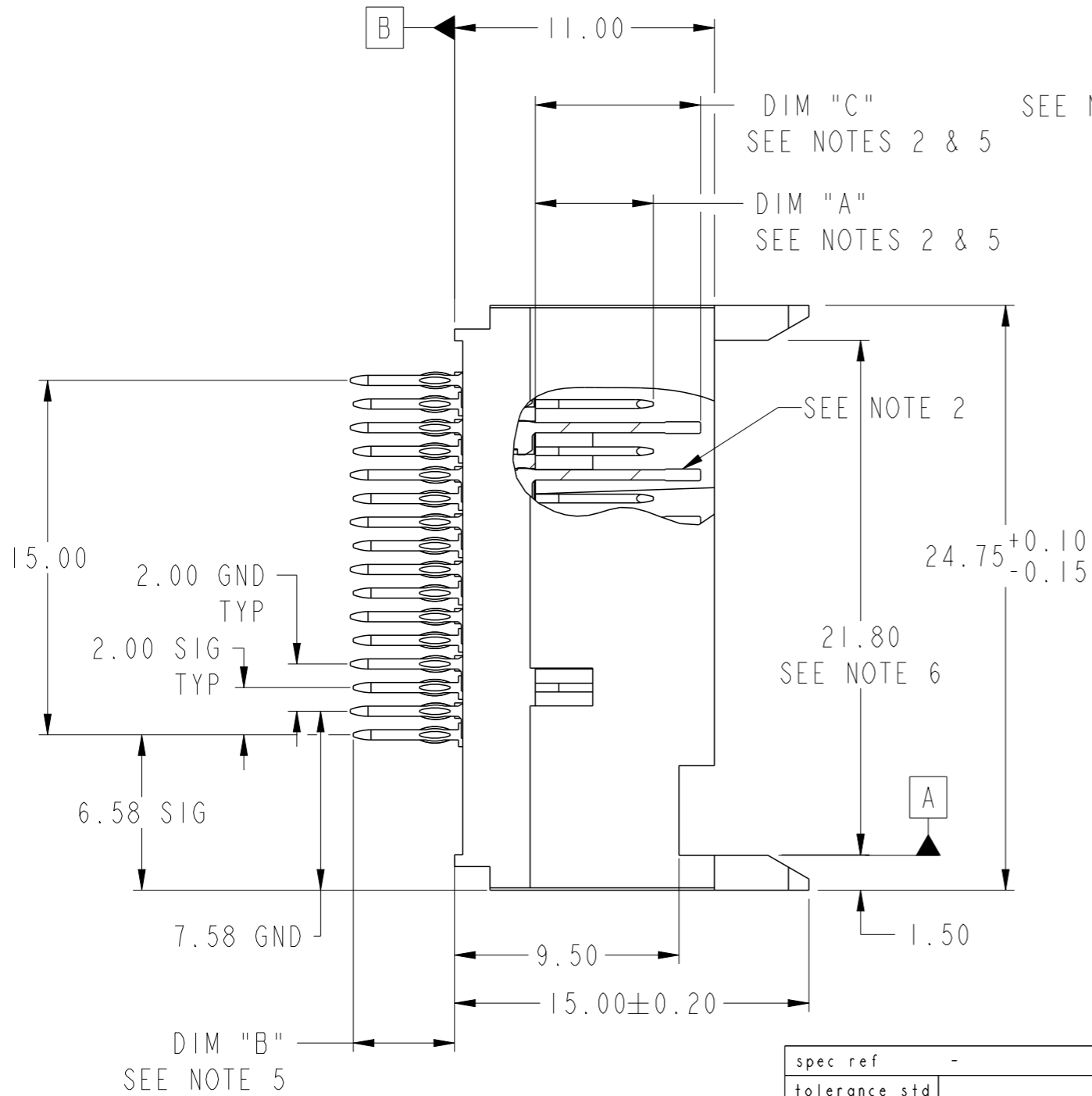
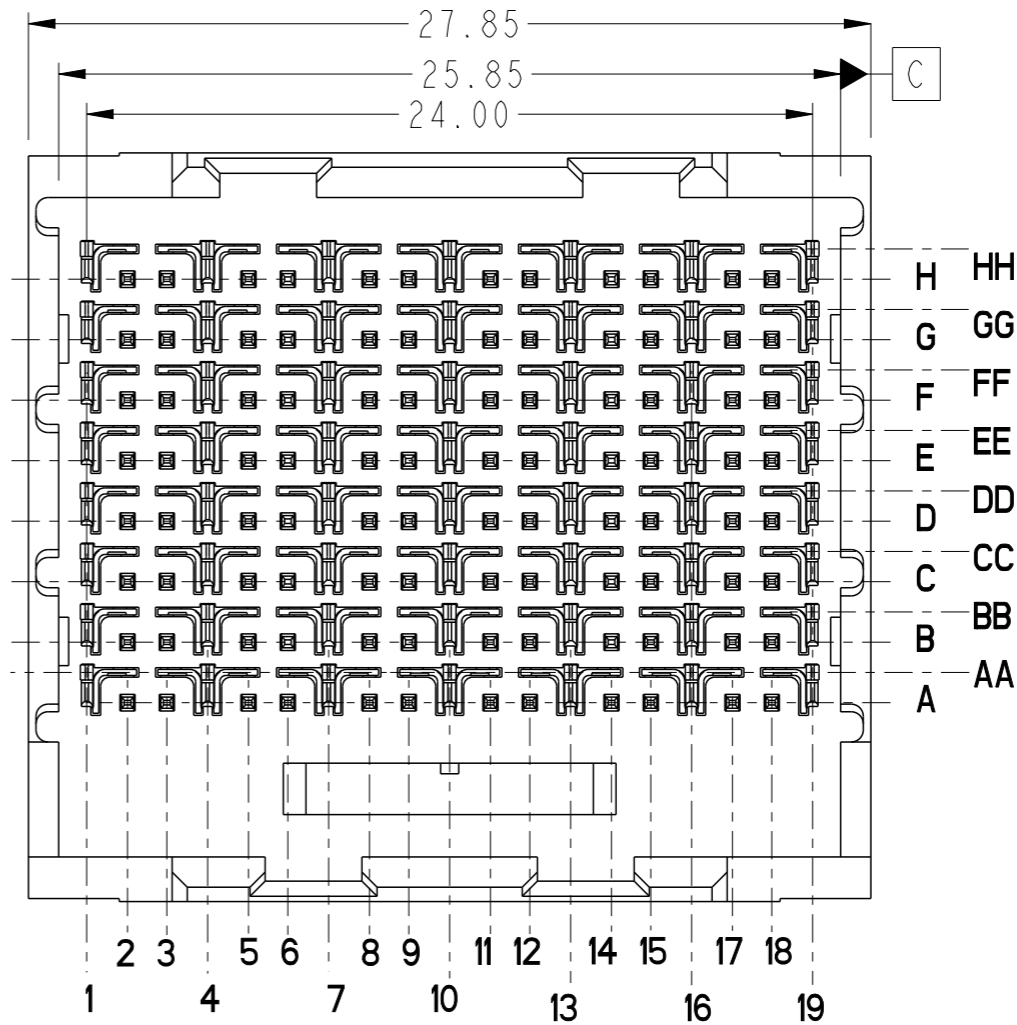
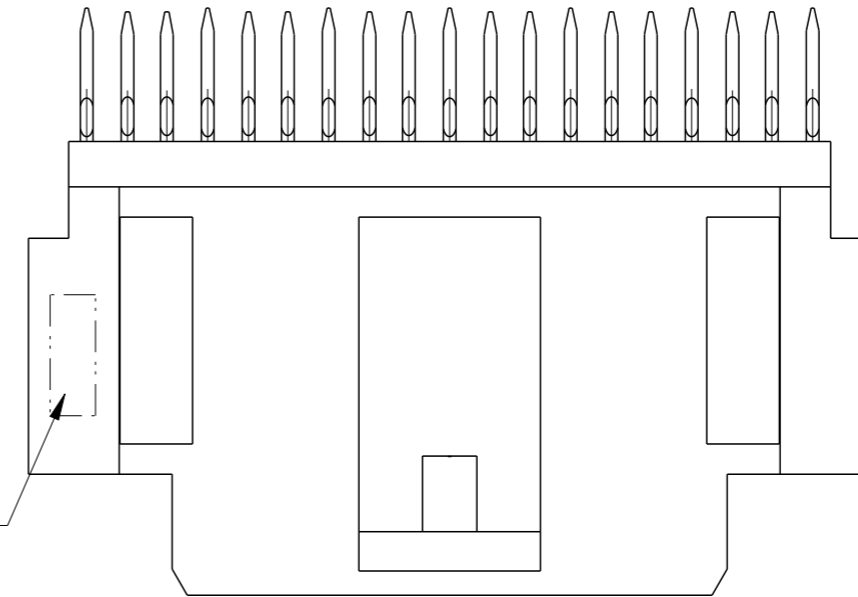


PRODUCT NUMBER	CONTACT PLATING PERFORMANCE LEVEL	PRESS FIT TAIL PLATING
84962-1YY	TELCORDIA CO	STANDARD (SnPb)
84962-1YYLF	TELCORDIA CO	LEAD FREE (Sn)



spec ref	-	dr	wcadmin	1999/12/17	projection	mm	size	A3	scale	4:1
tolerance std	ASME Y14.5	eng	K Ayyapparaj	2012/09/27			ecn no	ELX-V-013035-1	rel level	Released
	TOLERANCES UNLESS OTHERWISE SPECIFIED	chr	-	2012/10/01						
surface	linear	0.X	±0.3		VERTICAL SIGNAL HDR. 8 ROW P.F. 48 POS. SPECIAL LOAD		dwg no 84962	rev K	Product - Customer Drw	
		0.XX	±0.10		cat. no.				sheet 1 of 5	
ASME Y14.5	angular	0°	±2°		PDS: Rev :K				STATUS:Released	Printed: Oct 02, 2012



Copyright FCI.

1						2						3						4					
PRODUCT NO.	ROW	DIM "A"	GROUND PIN MATE LENGTH	DIM "B" SIGNAL	DIM "B" GND	PRODUCT NO.	ROW	DIM "A"	GROUND PIN MATE LENGTH	DIM "B" SIGNAL	DIM "B" GND	PRODUCT NO.	ROW	DIM "A"	GROUND PIN MATE LENGTH	DIM "B" SIGNAL	DIM "B" GND	PRODUCT NO.	ROW	DIM "A"	GROUND PIN MATE LENGTH	DIM "B" SIGNAL	DIM "B" GND
84962-X01 SEE NOTE 7 LEAD FREE OPTION	H	5.00	7.00	4.30	4.30	84962-X10 SEE NOTE 7 LEAD FREE OPTION	H	5.00	7.00	3.40	3.40	84962-X11 SEE NOTE 7 LEAD FREE OPTION	H	5.75	7.00	3.40	3.40	84962-X12 SEE NOTE 7 LEAD FREE OPTION	H	6.50	7.00	3.40	3.40
	G	5.00	7.00	4.30	4.30		G	5.00	7.00	3.40	3.40		G	5.75	7.00	3.40	3.40		G	6.50	7.00	3.40	3.40
	F	5.00	7.00	4.30	4.30		F	5.00	7.00	3.40	3.40		F	5.75	7.00	3.40	3.40		F	6.50	7.00	3.40	3.40
	E	5.00	7.00	4.30	4.30		E	5.00	7.00	3.40	3.40		E	5.75	7.00	3.40	3.40		E	6.50	7.00	3.40	3.40
	D	5.00	7.00	4.30	4.30		D	5.00	7.00	3.40	3.40		D	5.75	7.00	3.40	3.40		D	6.50	7.00	3.40	3.40
	C	5.00	7.00	4.30	4.30		C	5.00	7.00	3.40	3.40		C	5.75	7.00	3.40	3.40		C	6.50	7.00	3.40	3.40
	B	5.00	7.00	4.30	4.30		B	5.00	7.00	3.40	3.40		B	5.75	7.00	3.40	3.40		B	6.50	7.00	3.40	3.40
	A	5.00	7.00	4.30	4.30		A	5.00	7.00	3.40	3.40		A	5.75	7.00	3.40	3.40		A	6.50	7.00	3.40	3.40
84962-X02 SEE NOTE 7 LEAD FREE OPTION	H	5.75	7.00	4.30	4.30	84962-X11 SEE NOTE 7 LEAD FREE OPTION	H	5.75	7.00	3.40	3.40	84962-X12 SEE NOTE 7 LEAD FREE OPTION	H	6.50	7.00	3.40	3.40						
	G	5.75	7.00	4.30	4.30		G	5.75	7.00	3.40	3.40		G	6.50	7.00	3.40	3.40						
	F	5.75	7.00	4.30	4.30		F	5.75	7.00	3.40	3.40		F	6.50	7.00	3.40	3.40						
	E	5.75	7.00	4.30	4.30		E	5.75	7.00	3.40	3.40		E	6.50	7.00	3.40	3.40						
	D	5.75	7.00	4.30	4.30		D	5.75	7.00	3.40	3.40		D	6.50	7.00	3.40	3.40						
	C	5.75	7.00	4.30	4.30		C	5.75	7.00	3.40	3.40		C	6.50	7.00	3.40	3.40						
	B	5.75	7.00	4.30	4.30		B	5.75	7.00	3.40	3.40		B	6.50	7.00	3.40	3.40						
	A	5.75	7.00	4.30	4.30		A	5.75	7.00	3.40	3.40		A	6.50	7.00	3.40	3.40						
84962-X03 SEE NOTE 7 LEAD FREE OPTION	H	6.50	7.00	4.30	4.30	84962-X12 SEE NOTE 7 LEAD FREE OPTION	H	6.50	7.00	3.40	3.40	84962-X12 SEE NOTE 7 LEAD FREE OPTION	H	6.50	7.00	3.40	3.40						
	G	6.50	7.00	4.30	4.30		G	6.50	7.00	3.40	3.40		G	6.50	7.00	3.40	3.40						
	F	6.50	7.00	4.30	4.30		F	6.50	7.00	3.40	3.40		F	6.50	7.00	3.40	3.40						
	E	6.50	7.00	4.30	4.30		E	6.50	7.00	3.40	3.40		E	6.50	7.00	3.40	3.40						
	D	6.50	7.00	4.30	4.30		D	6.50	7.00	3.40	3.40		D	6.50	7.00	3.40	3.40						
	C	6.50	7.00	4.30	4.30		C	6.50	7.00	3.40	3.40		C	6.50	7.00	3.40	3.40						
	B	6.50	7.00	4.30	4.30		B	6.50	7.00	3.40	3.40		B	6.50	7.00	3.40	3.40						
	A	6.50	7.00	4.30	4.30		A	6.50	7.00	3.40	3.40		A	6.50	7.00	3.40	3.40						



Copyright FCI.

spec ref	-	dr	wcadmin	1999/12/17	projection	mm	size	A3	scale	4:1
tolerance std	ASME Y14.5	eng	K Ayyappara	2012/09/27			ecn no	ELX-V-013035-1		
TOLERANCES UNLESS OTHERWISE SPECIFIED		chr	-	-			rel level	Released		
surface		appr	R Marshall	2012/10/01	product family	METRAL 3000	title VERTICAL SIGNAL HDR. 8 ROW P.F. 48 POS. SPECIAL LOAD		dwg no 84962	rev K
ASME Y14.5	linear 0.X ±0.3 0.XX ±0.10 0.XXX ±0.050 angular 0° ±2°	www.fci.com		cat. no.	Product - Customer Drw		sheet 2 of 5			

PRODUCT NUMBER
SEE SHEET 1

A

B

C

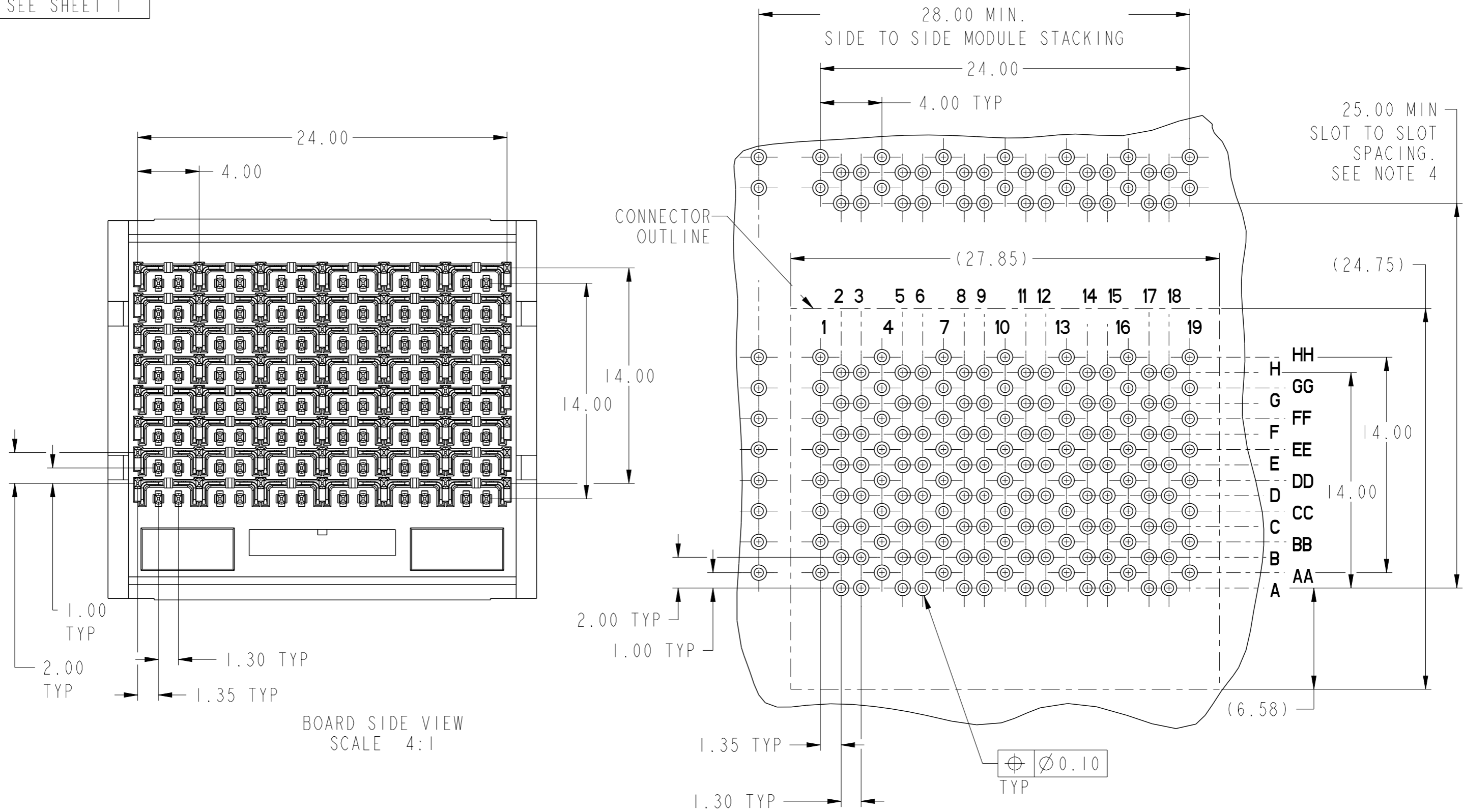
D

A

B

C

D

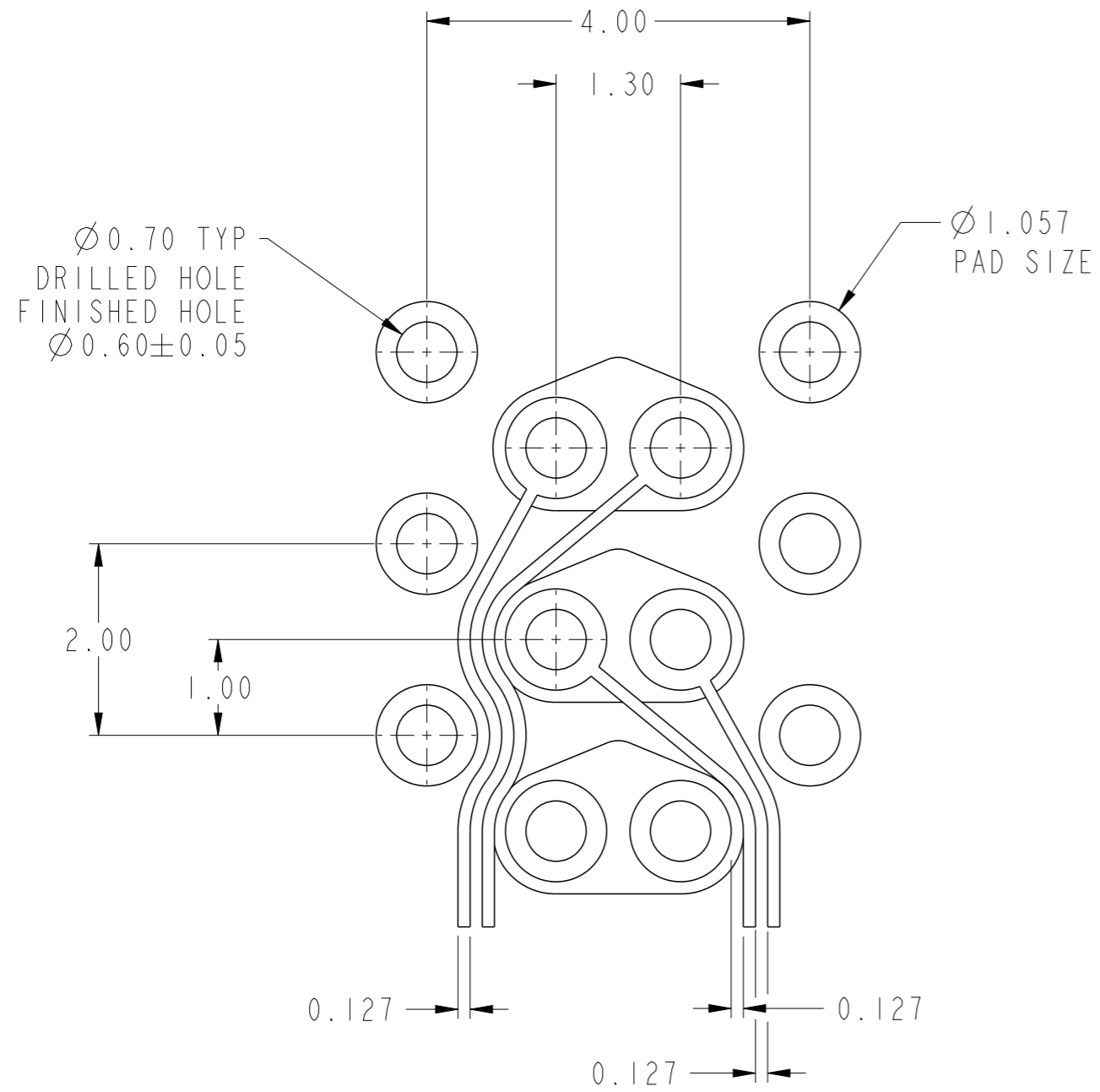


Copyright FCI.

REFER SHEET 5 FOR PRESS-FIT HOLES TABLE

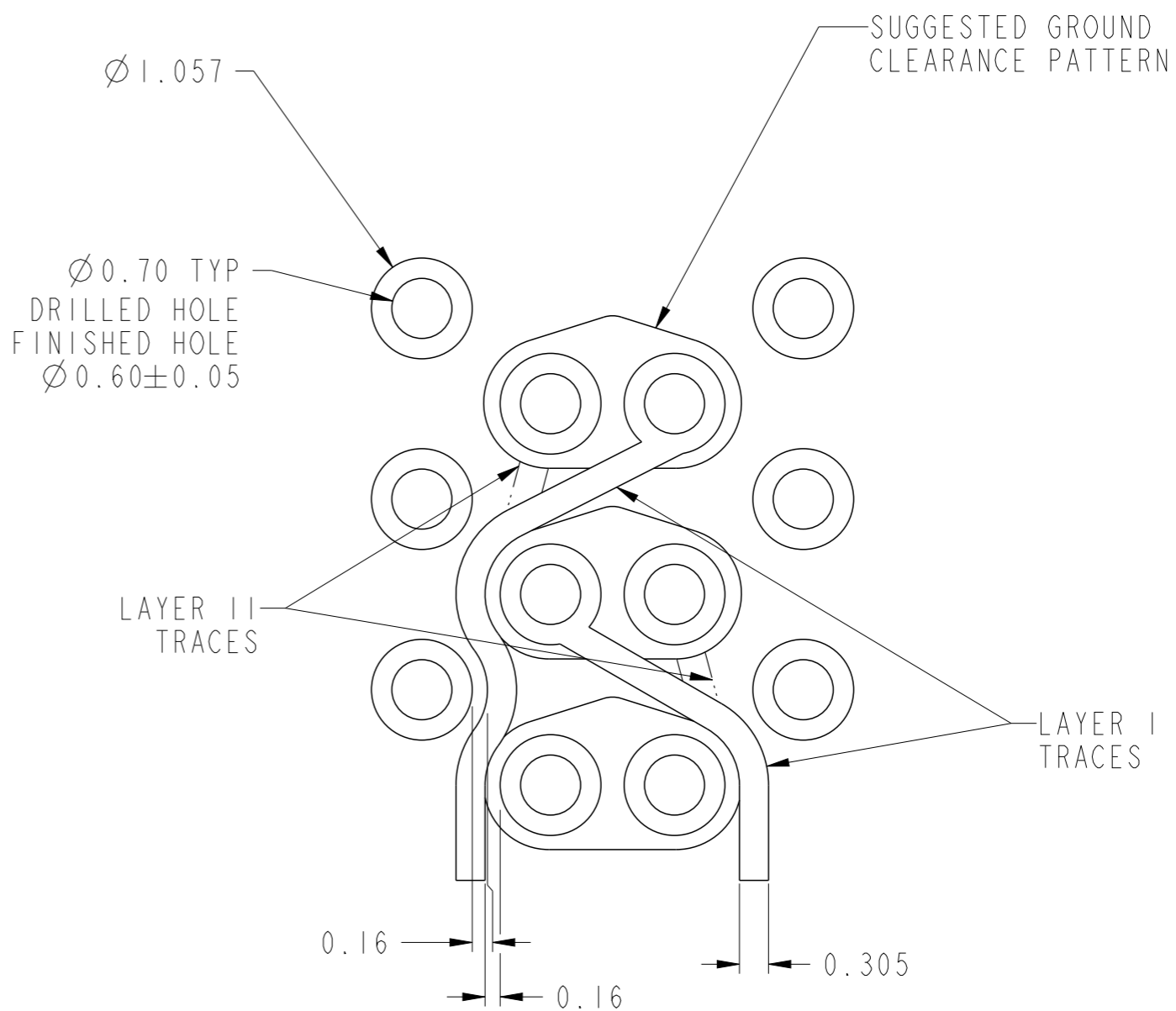
spec ref	-	dr	wcadmin	1999/12/17	projection	mm	size	A3	scale	4:1			
tolerance std	ASME Y14.5	eng	K Ayyappara	2012/09/27			ecn no	ELX-V-013035-1					
		chr	-				rel level	Released					
		appr	R Marshall	2012/10/01			product family	METRAL 3000					
surface	✓	linear	0.X	±0.3		VERTICAL SIGNAL HDR. 8 ROW P.F. 48 POS. SPECIAL LOAD	dwg no 84962	rev K	ASME Y14.5				
			0.XX	±0.10					cat. no.	Product - Customer Drw		sheet 3 of 5	
		angular	0°	±2°					www.fci.com		PDS: Rev :K		STATUS:Released

PRODUCT NUMBER
SEE SHEET 1



OPTION A (EDGE COUPLED)
METRAL - DIFFERENTIAL PCB
TRACE LAYOUT
SCALE 15:1

- 0.127 mm [0.005 in] TRACES MAX WITH 0.127 mm [0.005 in] GAPS
- 4 TRACES (2 PAIRS) PER LAYER



OPTION B (BROADSIDE COUPLED)
METRAL - DIFFERENTIAL
PCB TRACE LAYOUT

SCALE 15:1 - UP TO 0.305 mm [0.012 in]
TRACES MAX WITH 0.16 mm
[0.006 in] GAPS

- 2 TRACES PER LAYER

spec ref	-	dr	wcadmin	1999/12/17	projection	mm	size	A3	scale	1:1		
tolerance std	ASME Y14.5	eng	K Ayyapparaj	2012/09/27			ecn no	ELX-V-013035-1				
		chr	-				rel level	Released				
surface	✓	appr	R Marshall	2012/10/01	product family	METRAL 3000	rel level	Released				
		linear	0.X	±0.3		VERTICAL SIGNAL HDR. 8 ROW P.F. 48 POS. SPECIAL LOAD	dwg no 84962	rev		K		
			0.XX	±0.10				cat. no.		Product - Customer Drw		sheet 4 of 5
		angular	0°	±2°				www.fci.com				

Copyright FCI.

	1	2	3	4
RECOMMENDED PRESS-FIT HOLES SIZES	RECOMMENDED SIZES FOR SnPb PLATED HOLES	RECOMMENDED SIZES FOR IMMERSION Au PLATED HOLES	RECOMMENDED SIZES FOR IMMERSION Ag PLATED HOLES	RECOMMENDED SIZES FOR IMMERSION Sn PLATED HOLES
DRILLED HOLE SIZE	Ø0.705±0.025	Ø0.75±0.025	Ø0.75±0.025	Ø0.75±0.025
FINISHED HOLE SIZE	Ø0.60±0.05	Ø0.63±0.05	Ø0.63±0.05	Ø0.63±0.05
COPPER PLATING THICKNESS	0.025 MIN	0.037±0.013	0.037±0.013	0.037±0.013
NICKEL PLATING THICKNESS		0.005±0.002µm		
PLATING THICKNESS	0.010±0.005µm	FLASH TO 0.002µm	0.40±0.25µm	1.20±0.30µm



NOTES:

- BODY MATERIAL: LIQUID CRYSTAL POLYMER 30% GF
FLAME RETARDANT IN ACCORDANCE WITH UL 94-VO.
PIN MATERIAL: COPPER ALLOY
- DIM "C" REFERENCES GROUND PIN AND DIM "A" REFERENCES SIGNAL PIN.
- PRODUCT MARKING: PART NUMBER AND BATCH ID.
- REFERENCE METRAL 3000 APPLICATION SPEC GS-20-012 FOR MODULE APPLICATION AND REPAIR REQUIREMENTS.
- DIMENSIONS AFTER INSERTION INTO CIRCUIT BOARD WITH FCI APPROVED TOOLING.
- REFERENCE METRAL 3000 PRODUCT SPEC GS-12-138.
- PRODUCTS WHERE THE PART NUMBER ENDS IN "LF" MEET EUROPEAN UNION DIRECTIVES AND OTHER COUNTRY REGULATIONS AS DESCRIBED IN GS-22-008.
ALL PRODUCTS WILL WITHSTAND EXPOSURE TO 260° FOR 60 SECONDS IN A CONVECTION, INFRA-RED OR VAPOR PHASE REFLOW OVEN.
FOR LEAD FREE PART NUMBERS ADD "LF" SUFFIX.
EXAMPLE: 84962-1YYLF.
- COMPANY LOGO LOCATED IN THIS AREA.
- A SYMBOL WILL BE NEXT TO ANY DIMENSION, VIEW, OR NOTE WHICH HAS BEEN MODIFIED WITH THE CURRENT DRAWING REVISION.



spec ref	-	dr	wcadmin	1999/12/17	projection	mm	size	A3	scale	4:1	
tolerance std	ASME Y14.5	eng	K Ayyappa	2012/09/27		←→	ecn no	ELX-V-013035-1			
	TOLERANCES UNLESS OTHERWISE SPECIFIED	chr	-	-			product family	METRAL 3000	rel level	Released	
surface	✓	appr	R Marshall	2012/10/01		VERTICAL SIGNAL HDR. 8 ROW P.F. 48 POS. SPECIAL LOAD	dwg no	84962		rev	K
	linear	0.X	±0.3	www.fci.com			cat. no.	Product - Customer Drw	sheet 5 of 5		
	ASME Y14.5	angular	0°							±2°	



Copyright FCI.