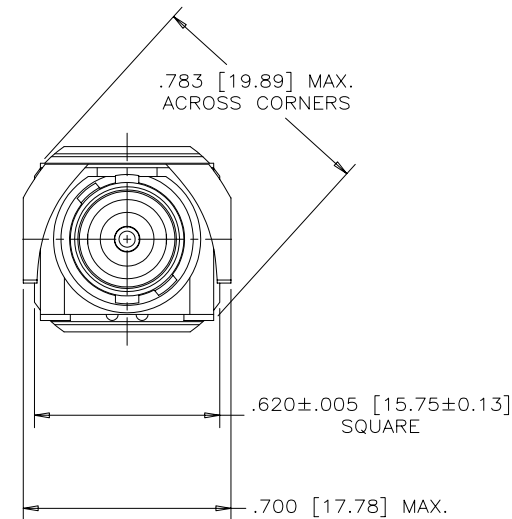
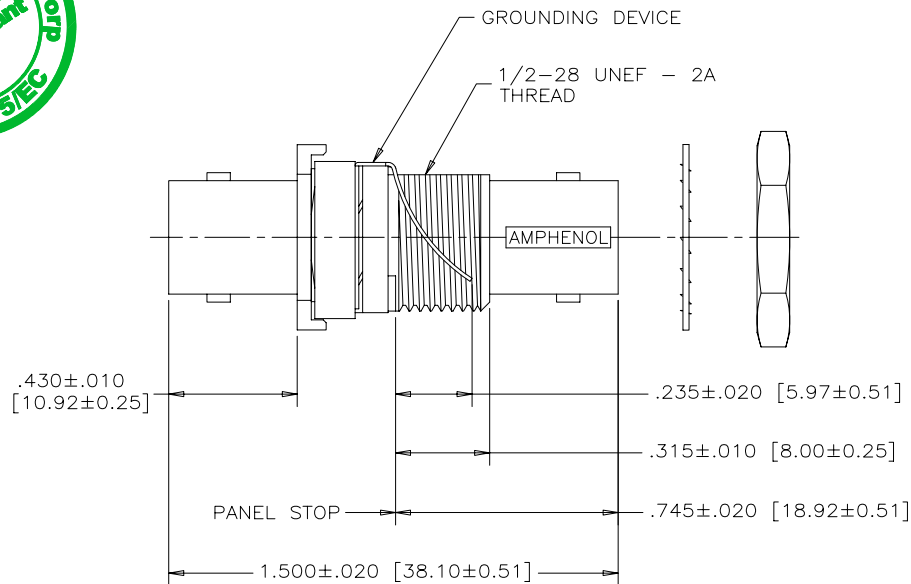




REVISIONS			
REV	ECN, ERN NO.	DATE	APPRD.
A	PRODUCT DRAWING (EAR 13136)	JUN18/07	K.L.



MECHANICAL: ALL MATERIALS ARE RoHS COMPLIANT

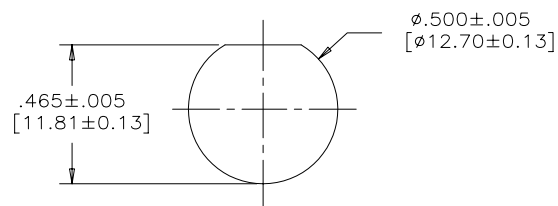
THREADED HOUSING: THERMOPLASTIC, FLAMMABILITY RATING UL94V-0

GROUNDING DEVICE: COPPER ALLOY, NICKEL PLATED

METAL BODY: HIGH STRENGTH ZINC DIECAST, NICKEL PLATED.

CENTER CONTACT: PHOSPHOR BRONZE, PLATED WITH 30 μ" [0.76 MICRONS] GOLD OVER 50 μ" [1.27 MICRONS] NICKEL.

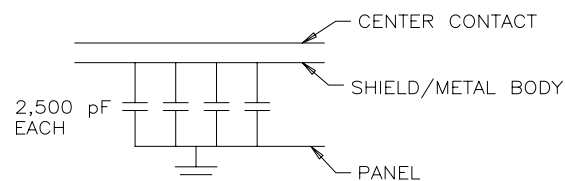
MOUNTING NUT: BRASS, NICKEL PLATED



RECOMMENDED PANEL CUTOUT

ELECTRICAL SPECIFICATION:

CAPACITANCE	10000 pF ±15%
DIELECTRIC WITHSTANDING VOLTAGE	1000 VDC
	500 V RMS
WORKING VOLTAGE	200 VDC
IMPEDANCE	50 OHMS NOMINAL
OPERATING TEMPERATURE	-20°C TO +85°C



CIRCUIT DIAGRAM

AMPHENOL PART NUMBER: 456E-915

DRAWN K. LAMBIE	DATE JUN18/07	Amphenol Canada Corp.			
DESIGNED					
CHECKED		456E SERIES B.N.C. CAPACITIVELY DECOUPLED JACK TO JACK ADAPTER, PANEL MOUNT WITH HARDWARE, 50 OHM, 10,000pF, RoHS COMPLIANT			
I. E. APPRD.					
Q. A. APPRD.					
DWG. APPRD.					
ENG. REL. NO.		DWG	DRAWING NO.	REV.	
REF. EAR #13136		C	P-456E-915	A	
DIMENSIONS ARE IN INCHES [mm]		SCALE 3/1	WT. -----	SURF. -----	SHEET 1 of 1

THIS DOCUMENT CONTAINS PROPRIETARY INFORMATION AND SUCH INFORMATION MAY NOT BE DISCLOSED TO OTHERS FOR ANY PURPOSE OR USED FOR MANUFACTURING PURPOSES WITHOUT WRITTEN PERMISSION FROM AMPHENOL CANADA CORP.