



opulent
americas

MOD BLOCKS

IP67-Rated Modules built with Cree LEDs

Primary Applications



High Mast
Streetlight
Stadium
Architectural

Canopy
Garage
Portable
High bay

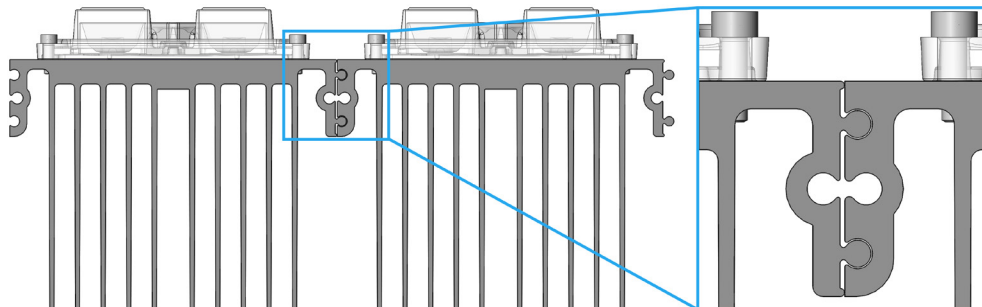
Features and Benefits

- IP67 Protection – Self-contained module for outdoor applications or other difficult environments
- Optical Flexibility – a variety of off-the-shelf optical patterns are available
- Integrate Further – Easy to add multiple modules through our interlocking technology
- Easy Mounting – designed for quick mounting to a housing or bracket
- Performance – industry leading lumen density and lumens per pound
- Certifications – RoHS compliant
- Custom - private label or design changes available



Introducing the Opulent Americas IP67 rated LED heat sink modules using Cree Extreme High Power LEDs. These Opulent Americas modules are engineered to bring high quality lighting systems to market faster with fewer LEDs, higher reliability, and a lower system cost. These module are a robust, flexible, and versatile building block for any number of lighting systems such as high bay, low bay, parking, and stadium lighting.

Interlocking Technology to Add More Modules


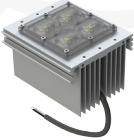


Last Modified: 05/30/18

RoHS 

MOD BLOCKS - Specifications

Product Selection Table

Series	CCT	CRI	Binning	Forward Voltage (V)	Current (mA)	Typical Luminous Flux (lm)	Efficacy Nominal (lm/W)	Watts (W)
 2X2 Performance	4000K, 5000K, 5700K	70	ANSI	44.6	700	5050	162	31
				45.8	1500	9250	134	69
				46.3	2100	11250	116	97
 2X2 Standard	4000K, 5000K, 5700K	70	ANSI	45.5	700	4500	141	32
				45.8	1050	6030	125	48
				46.1	1500	7500	109	69

Product performance based on 25°C ambient temperature.
All values shown above are typical.

Ratings

Parameter	Unit	Rating
Operating Temperature	°C	-40 to +50
Weight	G	865

Mechanical Dimensions

