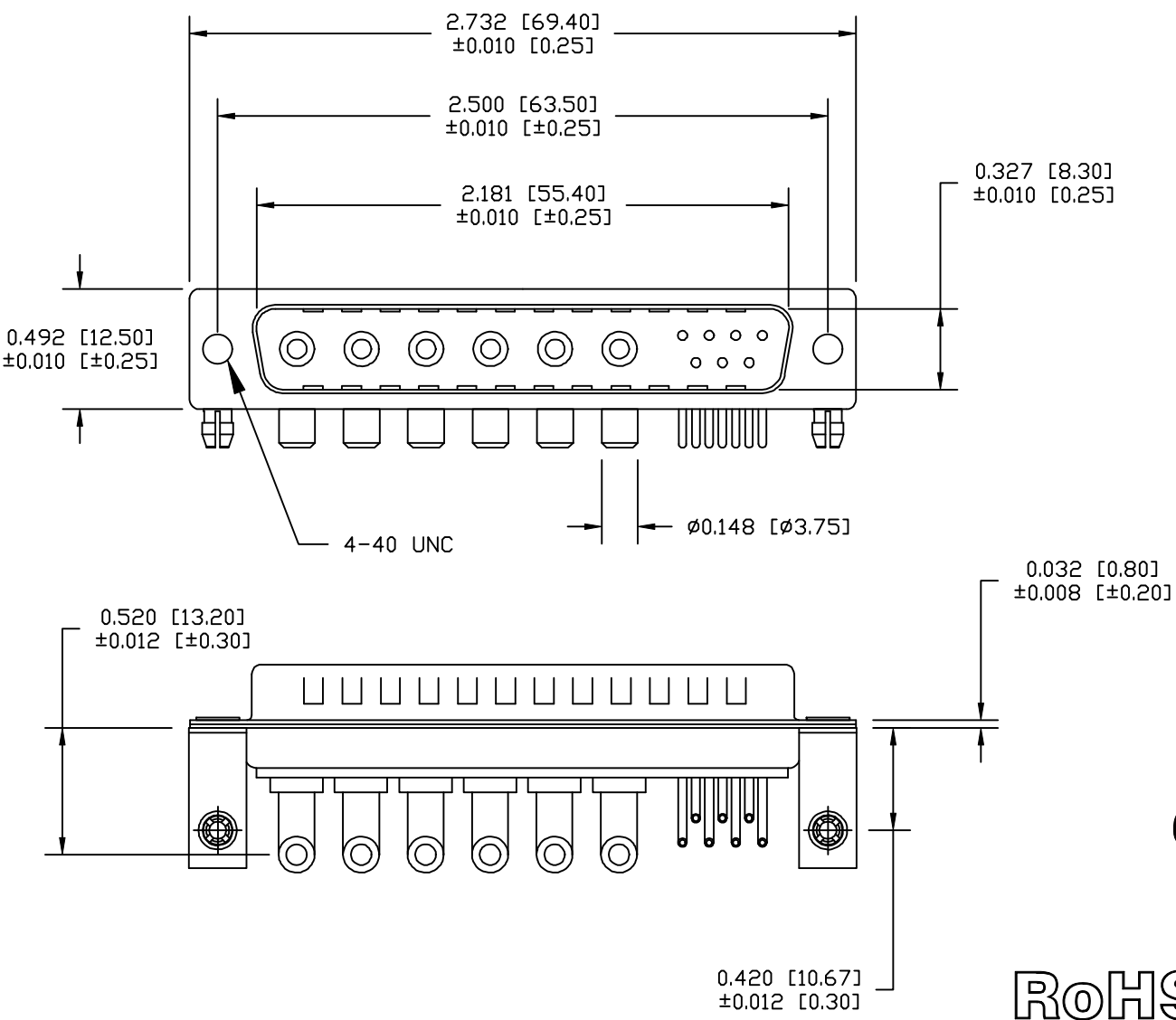


DESCRIPTION: POWER / SIGNAL - RIGHT ANGLE - MALE - MACHINED



SPECIFICATIONS:

ELECTRICAL:
 INSULATOR RESISTANCE: 5 G OHMS Min.
 DIELECTRIC WITHSTANDING: 1,000VAC r.m.s.
 OPERATING TEMPERATURE: -55° C ~ +125° C
 POWER CONTACT RESISTANCE: 1.0 Milliohms Max.
 SIGNAL CONTACT RESISTANCE: 2.7 Milliohms Max.
 POWER PINS: 40 AMPS
 SIGNAL PINS: 5 AMPS

MECHANICAL:
 CONTACT INSERTION FORCE: 4.5 Kg Max.
 CONTACT SEPARATOR FORCE: 0.3Kg Min.

MATERIALS:
 CONTACTS: COPPER ALLOY
 INSULATOR: PBT THERMOPLASTIC, 30% GLASS FILLED, UL94V-0 RATED, BLACK 230°C PROCESS TEMP.
 SHELL: STEEL
 BOARD LOCK: BRASS, NICKEL PLATED
 CINCHNUT: BRASS, NICKEL PLATED
 BRACKET: STEEL, NICKEL PLATED
 SEAL: F08 FLEXIBLE ADHESIVE

FINISH:
 SHELL: NICKEL
 CONTACTS: FULL GOLD FLASH

684S13W6103L461

46 = 4-40 INSERTS / BOARD LOCKS

RoHS COMPLIANT

MEETS IP67 STANDARDS
 (SEE PAGE 3 FOR SEALING DETAILS)

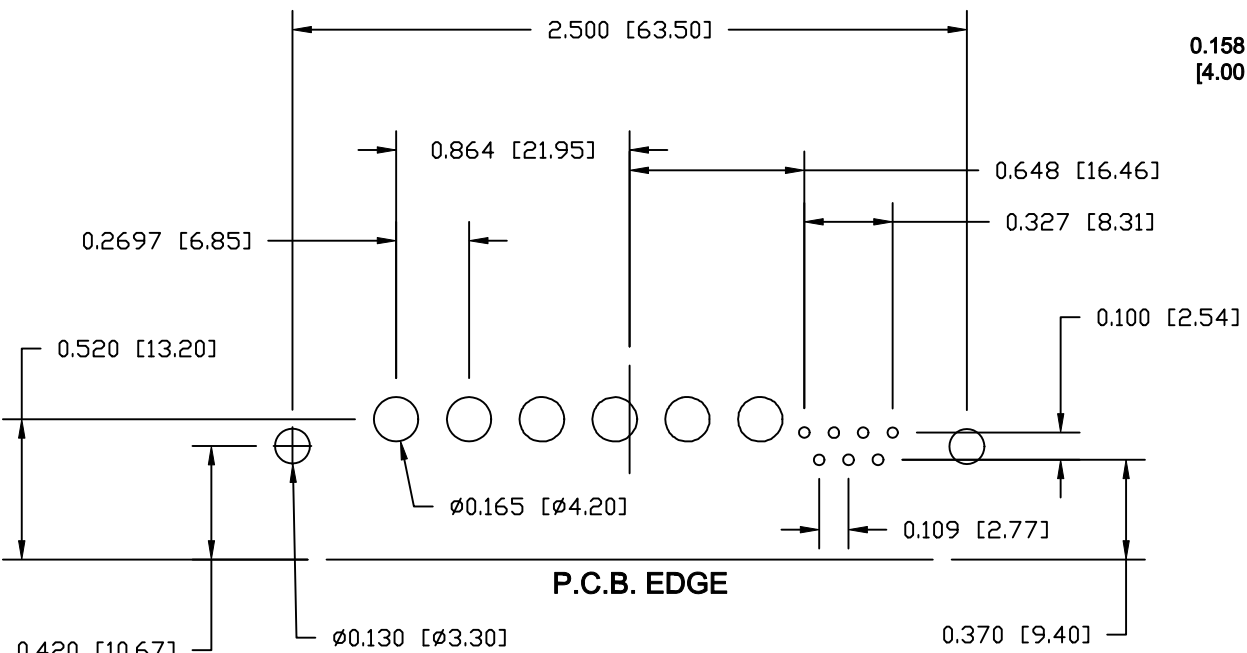
THESE DRAWINGS AND SPECIFICATIONS ARE THE PROPERTY OF NorComp AND SHALL NOT BE REPRODUCED, COPIED OR USED AS THE BASIS FOR THE MANUFACTURE OR SALE OF APPARATUS WITHOUT WRITTEN PERMISSION.

DRAWN: M. SIGMON		DATE: 09-07-12	
CHECKED:		DATE:	
SCALE: 1.5 = 1	SHEET 1 OF 3	REV 0	
DWG NO. 684S13W6103L461			

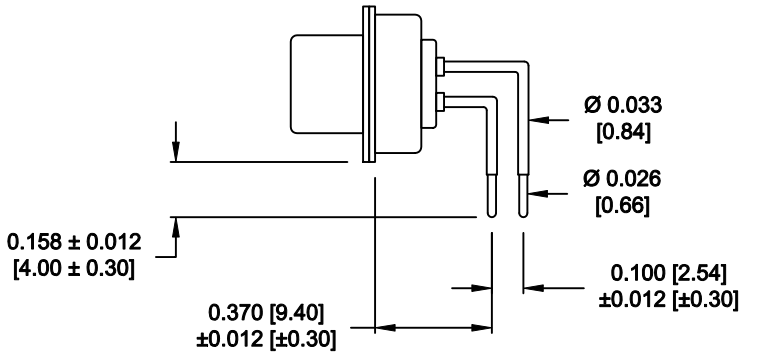
NorComp

DESCRIPTION: 684 SERIES CONTACTS - MACHINED

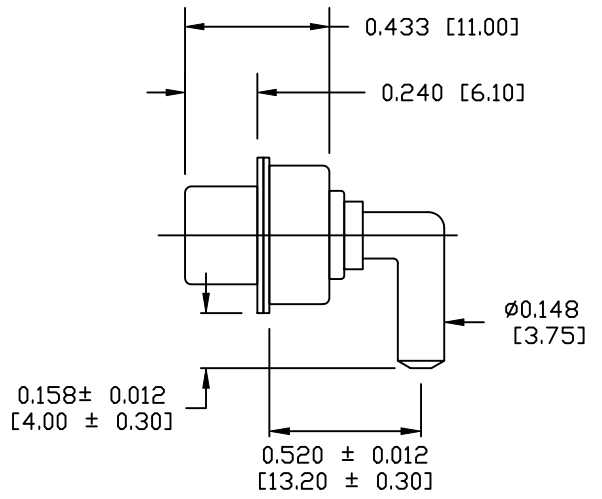
**NOTE:
POWER CONTACTS COME
PRE-LOADED INTO INSULATORS**



PCB LAYOUT

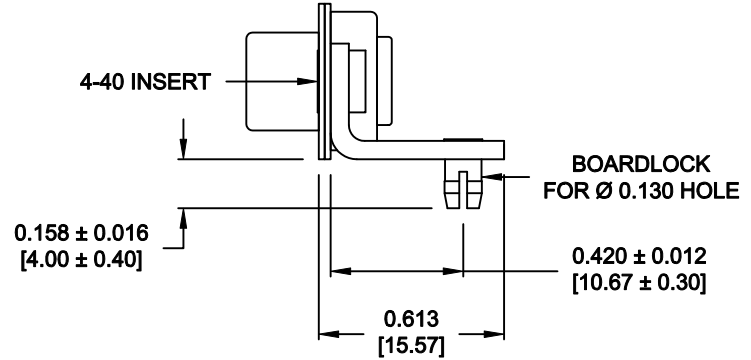


SIGNAL CONTACTS



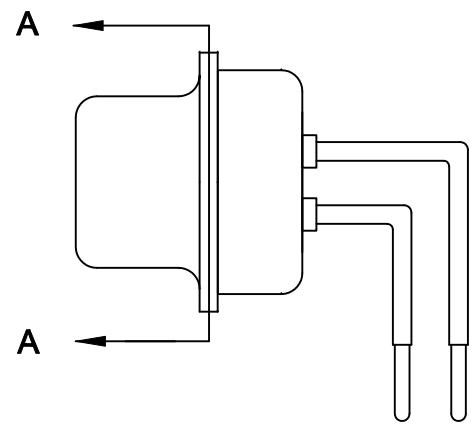
40 AMP POWER CONTACT

RoHS COMPLIANT

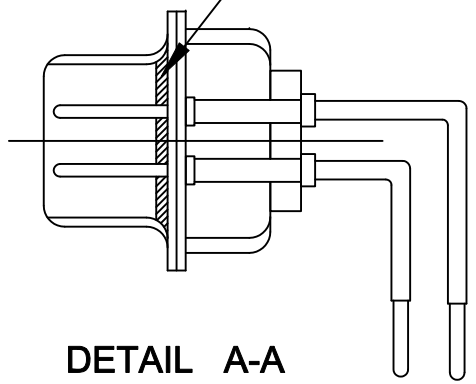


MOUNTING HARDWARE

	THESE DRAWINGS AND SPECIFICATIONS ARE THE PROPERTY OF NorComp AND SHALL NOT BE REPRODUCED, COPIED OR USED AS THE BASIS FOR THE MANUFACTURE OR SALE OF APPARATUS WITHOUT WRITTEN PERMISSION.		DRAWN: M. SIGMON	DATE: 09-07-12
			CHECKED:	DATE:
NorComp		SCALE: 1.5 = 1	SHEET 2	OF 3
		DWG. NO. 684S13W6103L461		REV 0




FRONT SEAL APPLIED OVER INSULATOR AND BETWEEN FRONT & REAR SHELLS



DETAIL A-A

SHOWN FOR REFERENCE ONLY

DO NOT SCALE FROM DRAWING

	THESE DRAWINGS AND SPECIFICATIONS ARE THE PROPERTY OF NorComp AND SHALL NOT BE REPRODUCED, COPIED OR USED AS THE BASIS FOR THE MANUFACTURE OF SALE OF APPARATUS WITHOUT WRITTEN PERMISSION.		DRAWN: M. SIGMON	DATE: 09-07-12
			CHECKED:	DATE:
<h1>NorComp</h1>		SCALE: N.T.S.	SHEET 3 OF 3	REV 0
		DWG NO. 684S13W6103L461		

RoHS COMPLIANT