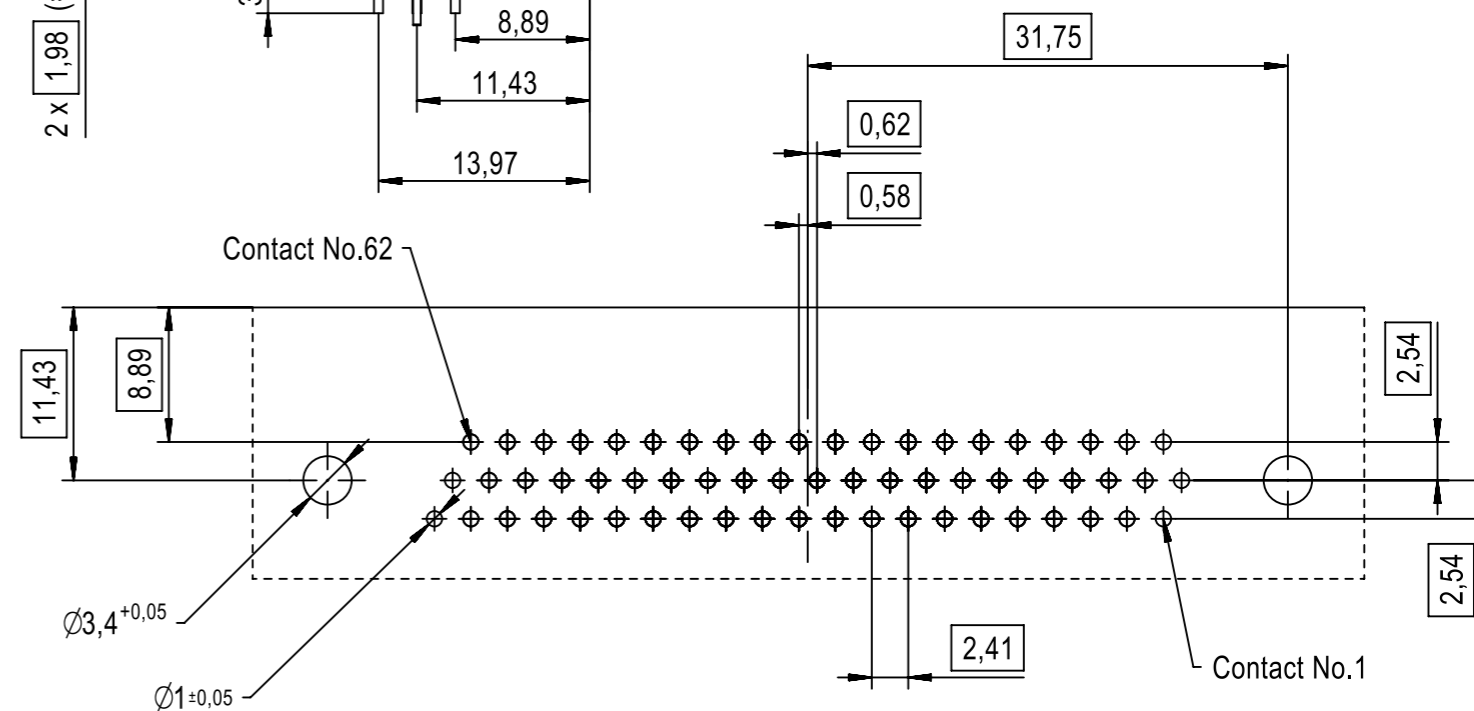


PC-Board layout
view component side
thickness 1,6 mm



09564625813	S4
09564627813	PL3
Part number	Performance level

	All rights reserved	Created by	Inspected by	Standardisation	Date	State	
	Department EC PD - FR	DOUGE	BAGDIKIAN	HOFFMANN	2013-10-25	Final Release	
HARTING Electronics GmbH D-32339 Espelkamp		Title D-Sub HD 62P male angled screw locks				Doc-Key / ECM-Nr. 100510358/UGD/001/D 500000065862	
		Type	Number		Rev.	Page	
		TB	0956462X813		D	1/1	