

## SUMMARY

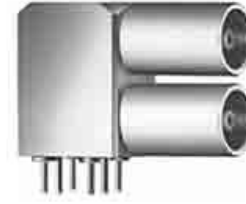


Image is for illustrative purpose only

### # Wires

Low	0
High	0
Coax	1
Triax	0
Quad	0
Fiber	0
Fluidic	0

### Download

[Request a quote](#)

[Catalog](#)

Series	00
Termination type	Female print PCB
IP rating	50
Cable Ø	0.00 - 0.00 mm
Matching parts	
Status	
Alternative part	

## TECHNICAL DETAILS

### Mechanics

Shell Style/Model	EPY*: Two vertical elbow receptacles for printed circuit
Keying	Circular (can rotate)
Housing Material	Brass (nickel plated) shell, collet nut, latch sleeve and mid pieces
Cable Fixing	∅ 0 - 0 mm
Variant	

### Performance

Configuration	0.25 : 1 Coax (50 Ohm)
Insulator	T: PTFE
Rated Current	4 Amps

### Specifications

Contact Type:	Coaxial 50 Ohm (Printed Circuit Board)
Max. Matings:	5000
Contact Dia.:	0.7 mm (0.028in)
Test voltage:	2.1 kV (rms)
R (max):	6.1 mOhm
Vtest:	2100 V (AC), 3000 V (DC)

□  
Impedance: 50 Ohm  
VSWR:  $1.09 + 0.11 * f / \text{GHz}$

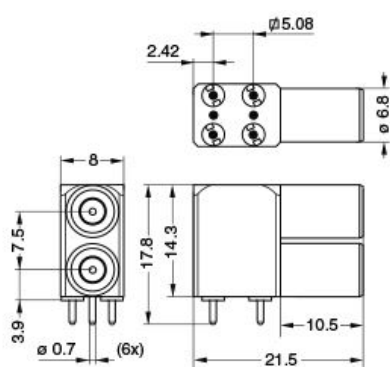
## Others

Endurance (Shell): 5000 mating cycles  
F ret (min): 100 N  
IP Rating: 50

---

# DRAWINGS

## Draws



## Dimensions

	A	L	Weight
mm.	8	21.5	12.8
in.	0,31	0,85	0,50

---

# RECOMMENDED BY LEMO

## Tools

None

## Cables