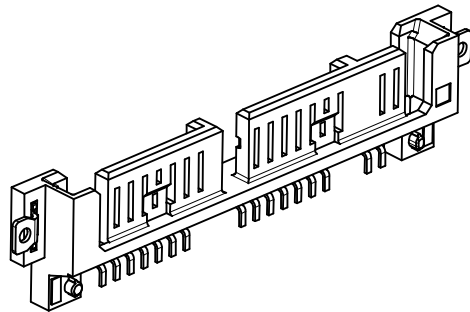
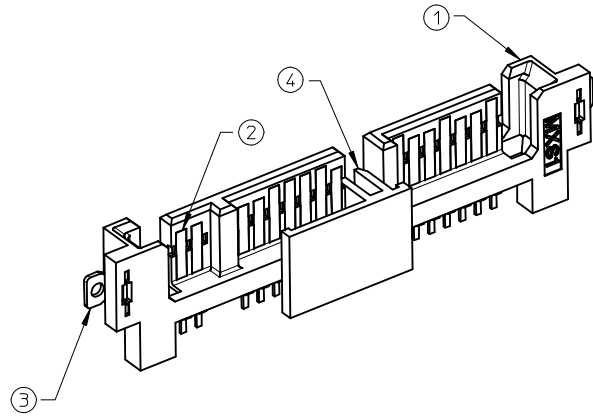


TABLE 2: PART NUMBER

PART NUMBER	CAP	PACKAGING
78285-0001	NO	TRAY
78285-0021	YES	TAPE & REEL



NO.	PART NAME	QTY.	MATERIAL
1	HOUSING	1	LIQUID CRYSTAL POLYMER (LCP), GLASS FILLED, UL 94V-0, COLOUR: BLACK.
2	TERMINAL	16	COPPER ALLOY
3	SOLDER TAB	2	COPPER ALLOY
4	CAP	1	NYLON 46, GLASS FILLED, COLOUR: BLACK.

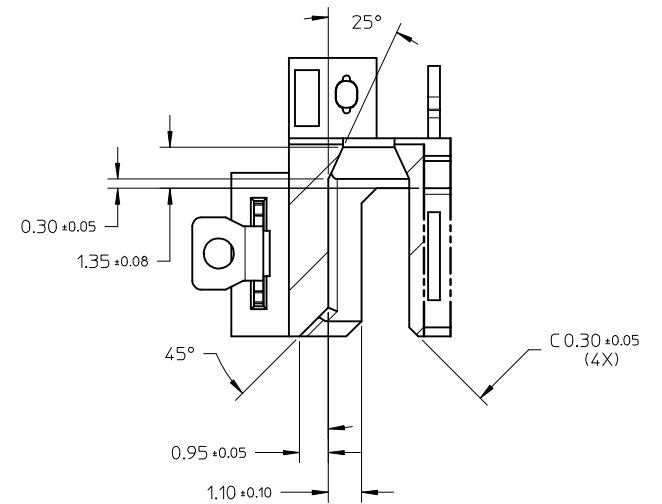
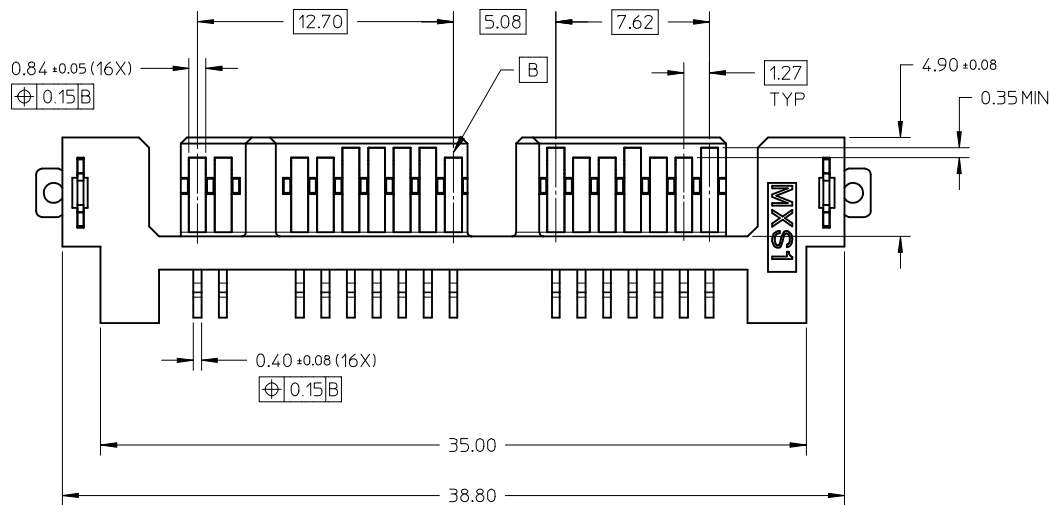
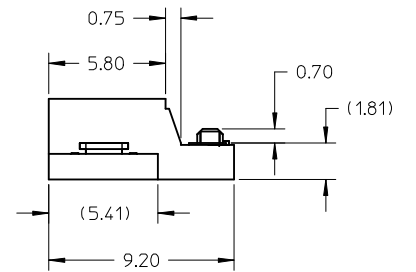
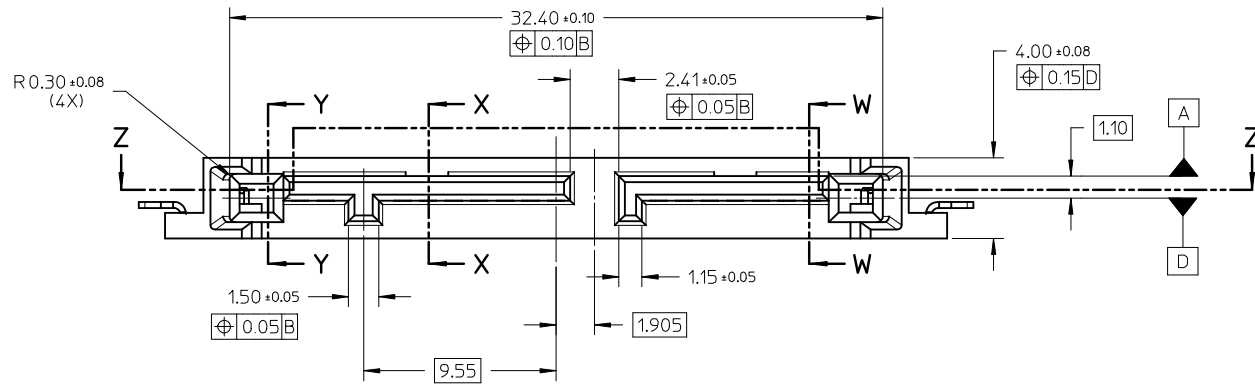
NOTES:

1. MATERIAL: REFER TO THE ABOVE PART LIST
2. PLATING SPECIFICATION: REFER TO TABLE 1
3. PRODUCT SPECIFICATION: PS-78285-002
4. PACKAGING SPECIFICATION: REFER TO TABLE 2
5. PRODUCT CONFORMS TO SERIAL ATA SPECIFICATION
6. PRODUCT IS COMPLIANT TO RoHS DIRECTIVE WITH THE FOLLOWING BANNED SUBSTANCES - LEAD, MERCURY, CADMIUM, HEXAVALENT CHROMIUM, POLYBROMINATED BIPHENYLS AND POLYBROMINATED DIPHENYLS ETHERS
7. NON FUNCTIONAL CORING MAY VARY FROM DRAWING

TABLE 1: PLATING SPECIFICATION

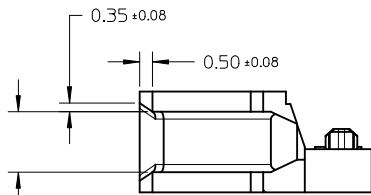
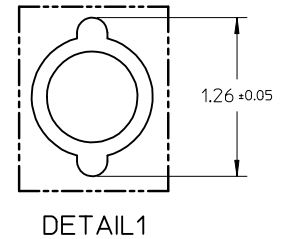
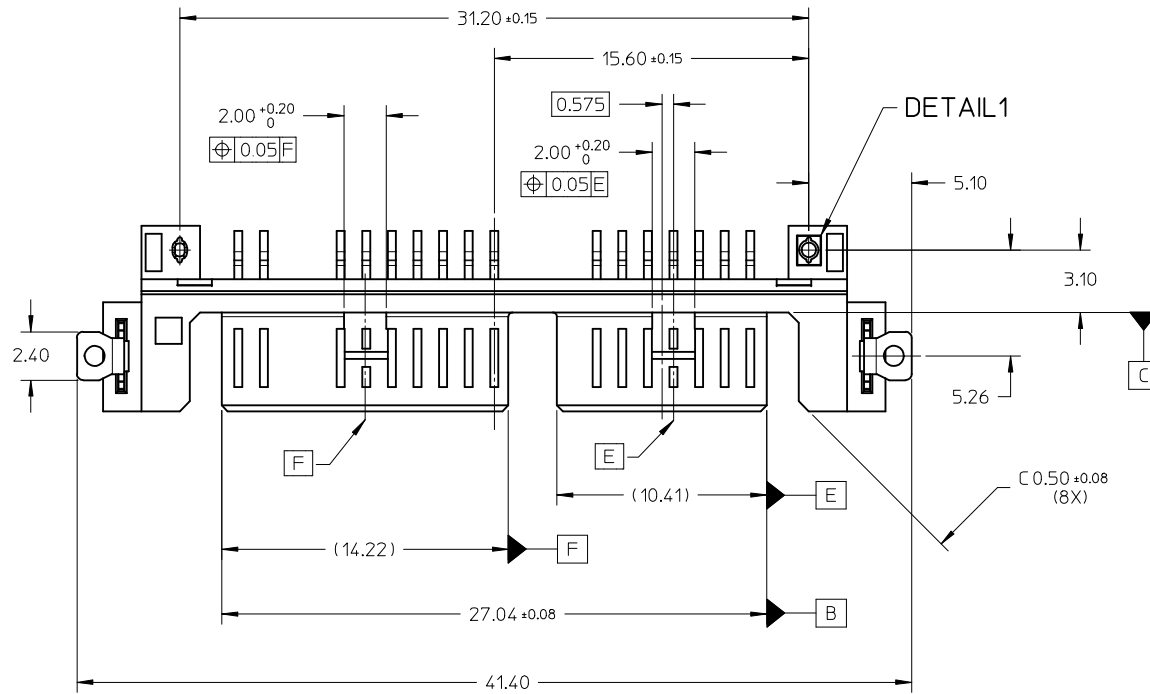
PART NAME	MATING AREA	SOLDER TAIL AREA	OTHER AREAS
TERMINAL	GOLD (0.76um MIN.)	GOLD FLASH (0.05um MIN.)	NICKEL PLATING
	OVER NICKEL (1.27um MIN.) UNDERPLATE		
SOLDER TAB	TIN (2.54um MIN.) OVER NICKEL (1.27um MIN.) UNDERPLATE		NICKEL PLATING

ADD GATE LOCATION EC NO: S2009-0894 DRWN: JYONG CHKD: KHLIM APPR: BOKOK	2009/06/01 2009/06/01 2009/06/02	DESCRIPTION REV	QUALITY SYMBOLS ▽=0 ◻=0	GENERAL TOLERANCES (UNLESS SPECIFIED) mm INCH 4 PLACES ± --- ± --- 3 PLACES ± --- ± --- 2 PLACES ± 0.20 ± --- 1 PLACE ± --- ± --- ANGULAR ± 3 °	DIMENSION STYLE MM ONLY DRAWN BY: YKOH DATE: 2007/04/26 CHECKED BY: CGTAN DATE: 2007/06/05 APPROVED BY: KCLING DATE: 2007/06/05	SCALE NTS	DESIGN UNITS METRIC	THIRD ANGLE PROJECTION	TITLE SERIAL ATA PLUG RIGHT ANGLE SMT FOR 1.8 INCH SSD	MATERIAL NO. SEE TABLE	DOCUMENT NO. SD-78285-001	SHEET NO. 1 OF 5	
	DRAFT WHERE APPLICABLE MUST REMAIN WITHIN DIMENSIONS				THIS DRAWING CONTAINS INFORMATION THAT IS PROPRIETARY TO MOLEX INCORPORATED AND SHOULD NOT BE USED WITHOUT WRITTEN PERMISSION								
	ADD GATE LOCATION EC NO: S2009-0894 DRWN: JYONG CHKD: KHLIM APPR: BOKOK				SERIAL ATA PLUG RIGHT ANGLE SMT FOR 1.8 INCH SSD MOLEX INCORPORATED SD-78285-001 1 OF 5								
	ADD GATE LOCATION EC NO: S2009-0894 DRWN: JYONG CHKD: KHLIM APPR: BOKOK				SERIAL ATA PLUG RIGHT ANGLE SMT FOR 1.8 INCH SSD MOLEX INCORPORATED SD-78285-001 1 OF 5								



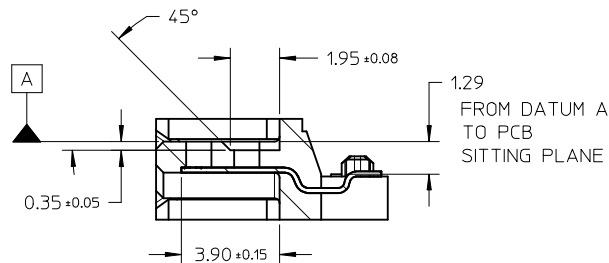
PARTIAL1
OF SECTION Z-Z

ADD GATE LOCATION EC NO: S2009-0894 DRWN: JYONG CHKD: KHLIM APPR: BOKOK	2009/06/01 2009/06/01 2009/06/02	DESCRIPTION ▽=0 ◻=0	GENERAL TOLERANCES (UNLESS SPECIFIED)		DIMENSION STYLE MM ONLY		SCALE NTS	DESIGN UNITS METRIC	THIRD ANGLE PROJECTION			
				mm	INCH	DRAWN BY	DATE	TITLE				
			4 PLACES	± ---	± ---	YKOH	2007/04/26	SERIAL ATA PLUG RIGHT ANGLE SMT FOR 1.8 INCH SSD				
			3 PLACES	± ---	± ---	CHECKED BY	DATE					
2 PLACES	± 0.20	± ---	CGTAN	2007/06/05	MOLEX INCORPORATED							
1 PLACE	± ---	± ---	APPROVED BY	DATE								
ANGULAR ± 3 °			DRAFT WHERE APPLICABLE MUST REMAIN WITHIN DIMENSIONS		MATERIAL NO. SEE TABLE		DOCUMENT NO. SD-78285-001		SHEET NO. 2 OF 5			
SIZE A3			THIS DRAWING CONTAINS INFORMATION THAT IS PROPRIETARY TO MOLEX INCORPORATED AND SHOULD NOT BE USED WITHOUT WRITTEN PERMISSION									

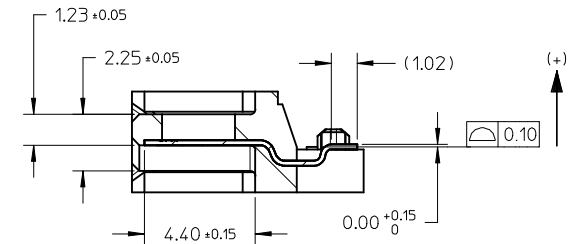


2.40 ± 0.08
⊕ 0.10 A

SECTION Y-Y

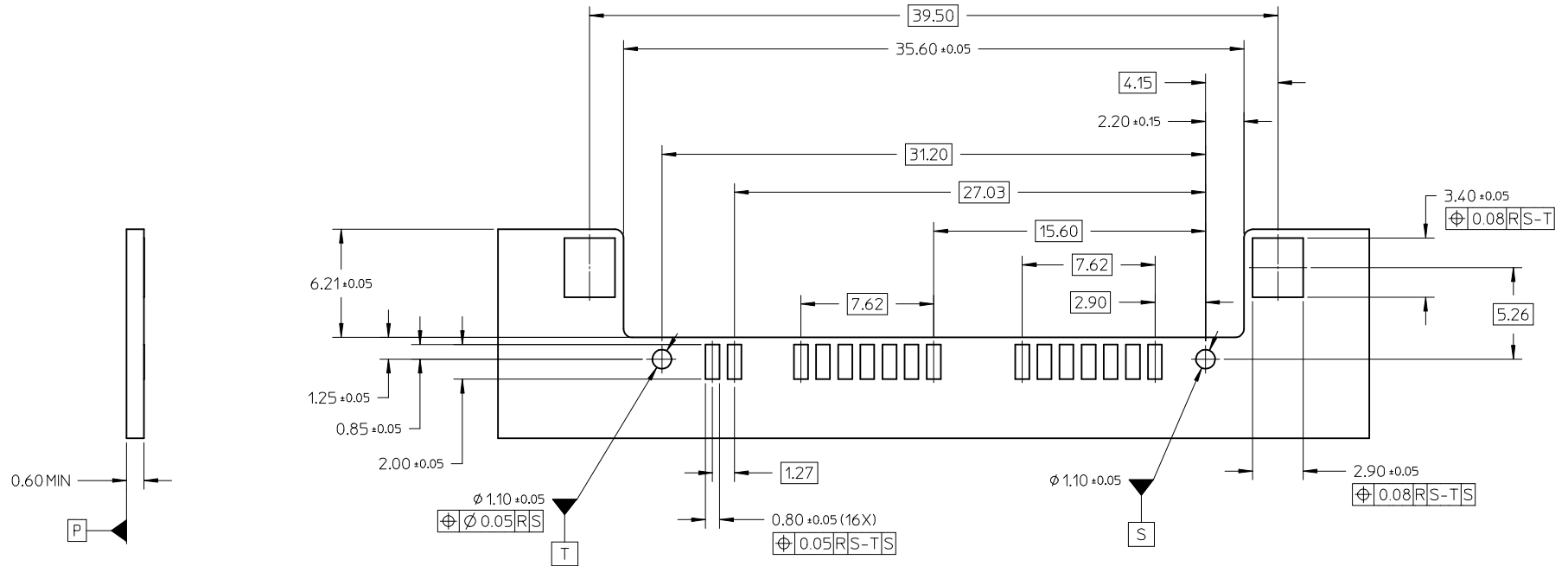


SECTION X-X



SECTION W-W

ADD GATE LOCATION EC NO: S2009-0894 DRWN: JXYONG CHKD: KHLIM APPR: BOKOK	QUALITY SYMBOLS ▽=0 Ⓢ=0	GENERAL TOLERANCES (UNLESS SPECIFIED)		DIMENSION STYLE MM ONLY	SCALE NTS	DESIGN UNITS METRIC	THIRD ANGLE PROJECTION		
		mm	INCH	DRAWN BY YKOH	DATE 2007/04/26	TITLE SERIAL ATA PLUG RIGHT ANGLE SMT FOR 1.8 INCH SSD			
		4 PLACES	± ---	± ---	CHECKED BY CGTAN	DATE 2007/06/05	MOLEX INCORPORATED		
		3 PLACES	± ---	± ---	APPROVED BY KCLING	DATE 2007/06/05	MATERIAL NO. SEE TABLE	DOCUMENT NO. SD-78285-001	SHEET NO. 3 OF 5
ANGULAR ± 3 °		DRAFT WHERE APPLICABLE MUST REMAIN WITHIN DIMENSIONS		THIS DRAWING CONTAINS INFORMATION THAT IS PROPRIETARY TO MOLEX INCORPORATED AND SHOULD NOT BE USED WITHOUT WRITTEN PERMISSION					



RECOMMENDED PCB LAYOUT

ADD GATE LOCATION EC NO: S2009-0894 DRWN: JY YONG CHKD: KHLIM APPR: BOKOK	2009/06/01 2009/06/01 2009/06/02	DESCRIPTION REV	QUALITY SYMBOLS	GENERAL TOLERANCES (UNLESS SPECIFIED)	DIMENSION STYLE	SCALE	DESIGN UNITS	THIRD ANGLE PROJECTION
			▽ = 0 ◻ = 0	mm INCH 4 PLACES ± --- ± --- 3 PLACES ± --- ± --- 2 PLACES ± 0.20 ± --- 1 PLACE ± --- ± --- ANGULAR ± 3 °	MM ONLY DRAWN BY: YKOH DATE: 2007/04/26 CHECKED BY: CGTAN DATE: 2007/06/05 APPROVED BY: KCLING DATE: 2007/06/05 MATERIAL NO.	NTS TITLE: SERIAL ATA PLUG RIGHT ANGLE SMT FOR 1.8 INCH SSD	METRIC MOLEX INCORPORATED	SHEET NO. 4 OF 5
			DRAFT WHERE APPLICABLE MUST REMAIN WITHIN DIMENSIONS	SEE TABLE	DOCUMENT NO. SD-78285-001	THIS DRAWING CONTAINS INFORMATION THAT IS PROPRIETARY TO MOLEX INCORPORATED AND SHOULD NOT BE USED WITHOUT WRITTEN PERMISSION		
			A	A3	SIZE	SHEET NO.		

10 9 8 7 6 5 4 3 2 1

5.30 ± 0.10
0.40 ± 0.05

∅ 1.50 ^{+0.10}/₀

2.00 ± 0.15

(5.76)

4.00 ± 0.10

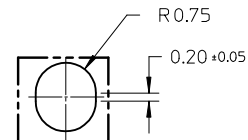
1.75 ± 0.10

42.00 ± 0.10

26.20 ± 0.15

52.40 ± 0.10

56.00 ± 0.30



DETAIL2

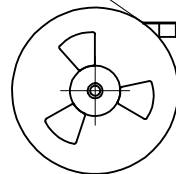
DETAIL2

SECTION V-V

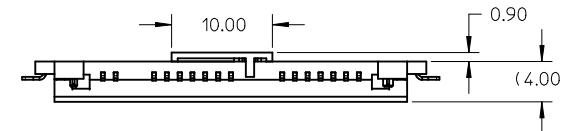
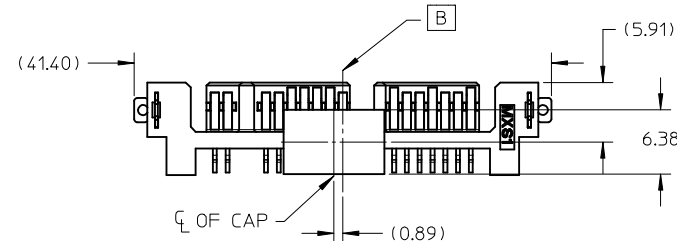
6.085 ± 0.100

16.00 ± 0.10

9.55 ± 0.10

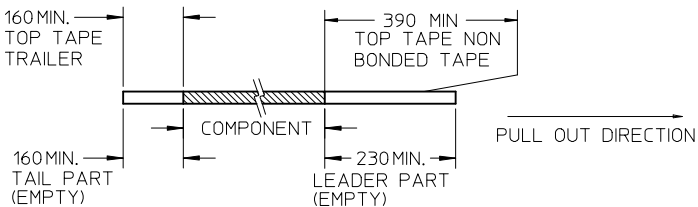


PULL OUT DIRECTION

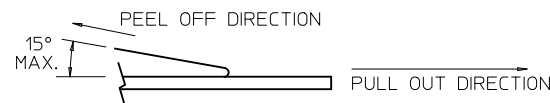


NOTES:

1. LEADER AND TRAILER TAPE



2. PEELING OFF FORCE OF THE TOP TAPE: 20 - 80gf.
(PEELING DIRECTION AS SHOWN IN FOLLOWING FIGURE)



- 3. TAPE AND REEL SPECIFICATION IS AS PER EIA-481.
- 4. TAPE AND REEL QUANTITY : 750 PCS/ REEL.
- 5. THE TAPE IS TREATED FOR ANTI-STATIC.

ADD GATE LOCATION
EC NO: S2009-0894
DRWN: JYONG
CHKD: KHLIM
APPR: BOKOK

2009/06/01
2009/06/01
2009/06/02

QUALITY SYMBOLS	GENERAL TOLERANCES (UNLESS SPECIFIED)	
	mm	INCH
▽=0	4 PLACES ± ---	± ---
▽=0	3 PLACES ± ---	± ---
	2 PLACES ± 0.20	± ---
	1 PLACE ± ---	± ---
	ANGULAR ± 3 °	

DIMENSION STYLE		SCALE	DESIGN UNITS	THIRD ANGLE PROJECTION
MM ONLY		NTS	METRIC	⊙ □
DRAWN BY	DATE	TITLE		
YKOH	2007/04/26	SERIAL ATA PLUG RIGHT ANGLE SMT FOR 1.8 INCH SSD		
CHECKED BY	DATE	MOLEX INCORPORATED		
CGTAN	2007/06/05			
APPROVED BY	DATE	DOCUMENT NO.		
KCLING	2007/06/05	SD-78285-001		
MATERIAL NO.	SHEET NO.			
SEE TABLE	5 OF 5			

THIS DRAWING CONTAINS INFORMATION THAT IS PROPRIETARY TO MOLEX INCORPORATED AND SHOULD NOT BE USED WITHOUT WRITTEN PERMISSION

9 8 7 6 5 4 3 2 1