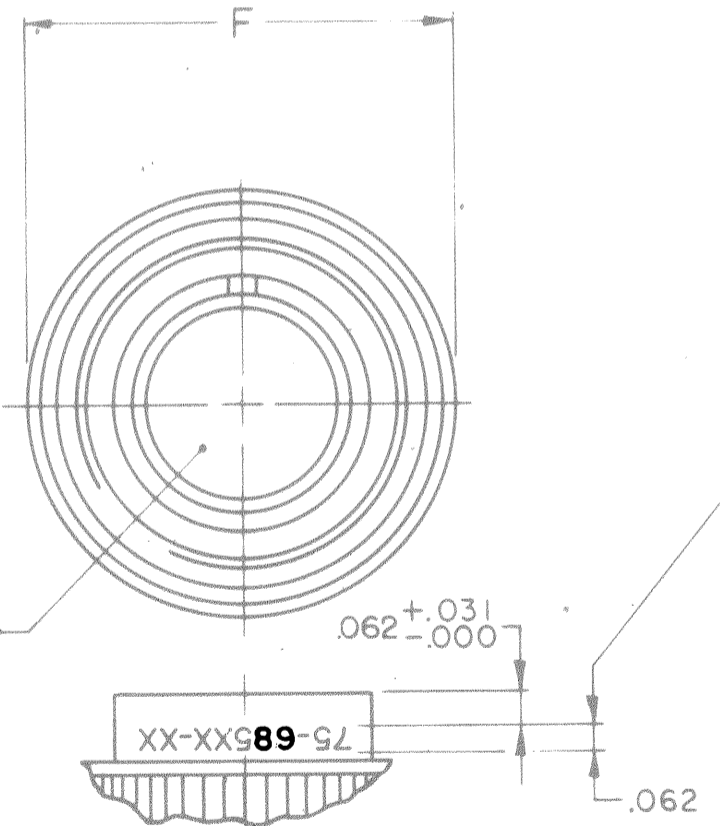
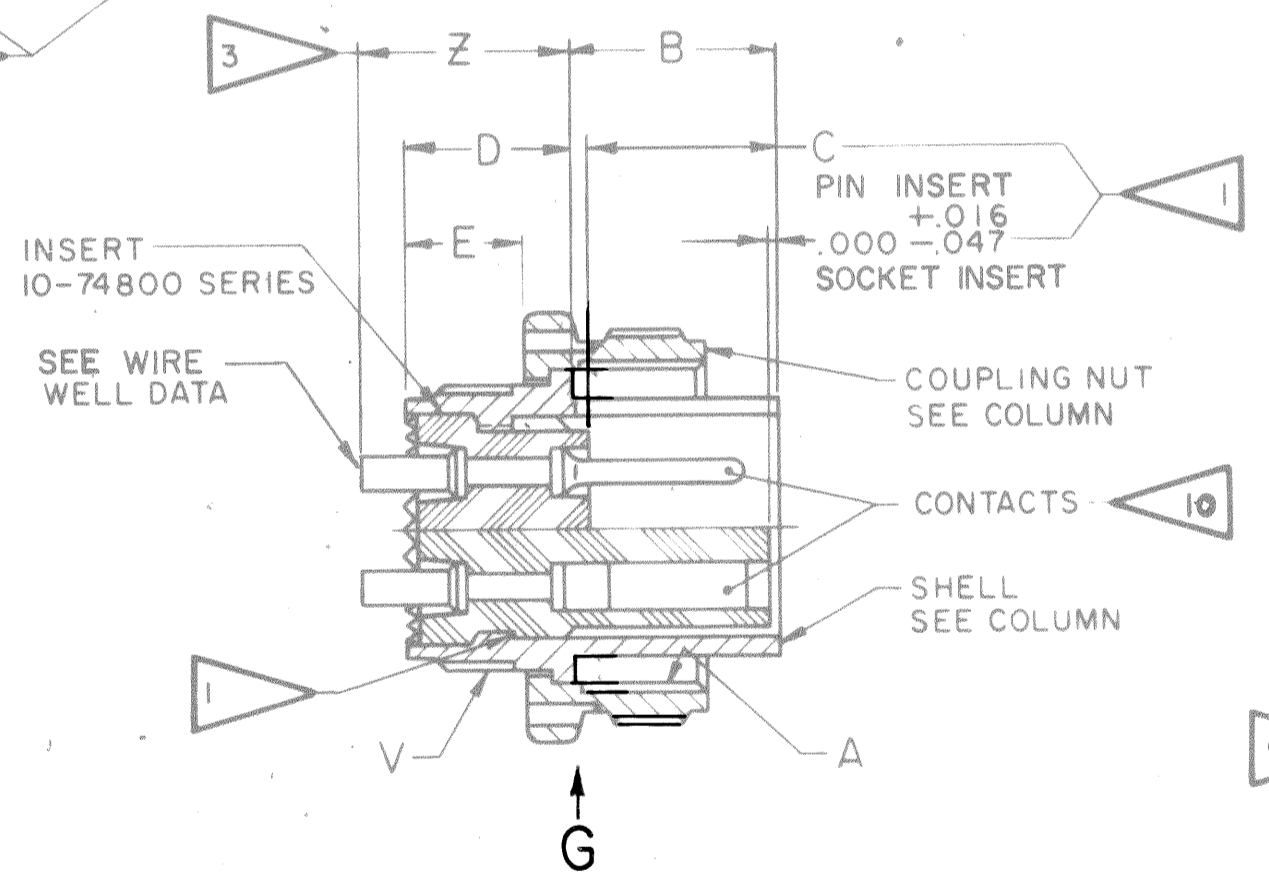
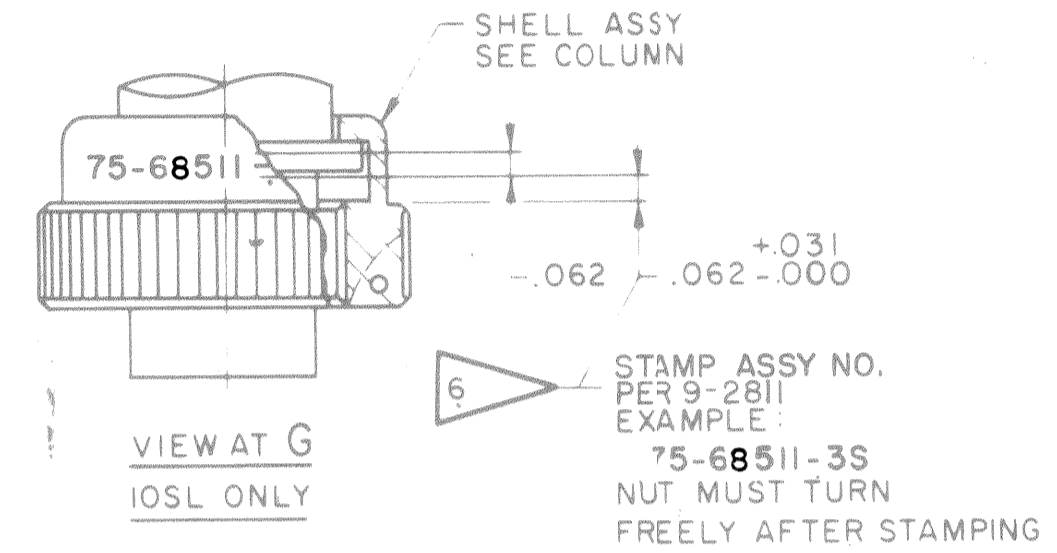


ASSEMBLY NUMBER	CB NO. REF	SHELL	COUPLING NUT	A THREAD CLASS 2B	B ±.005	C +.016 -.047	D	E	F DIA MAX	V THREAD (PLATED) CLASS 2A	Z ±.045	REL NO. 38508-472		REVISIONS	
												CHG NO	SYM	DESCRIPTION	DATE
75-68508-	3106A-BS-	10-37266-8	10-37265-8	.5000-28 UNEF	.531	.492	.438	.312 <sup>+.020</sup> <sub>-.030</sub>	.741	.3750-32 NEF	.609				
75-68510-	-10S-	-10	10-37265-10	.6250-24 NEF		.492	.438	.312 <sup>+.020</sup> <sub>-.030</sub>	.869	.5000-28 UNEF					
75-68511-	-10SL-	10-113488-11 (SHELL ASSY)		.6250-24 NEF		---	.438 <sup>+.000</sup> <sub>-.005</sub>	.298 <sup>+.015</sup> <sub>-.010</sub>	.946	.6250-24 NEF					
75-68512-	-12S-	10-37266-12	10-37265-12	.7500-20 UNEF		.492	.438	.312 <sup>+.020</sup> <sub>-.030</sub>	.995						
75-68513-	-12-	-13	-13	.7500-20 UNEF	.719	.679	.625	.469 <sup>+.020</sup> <sub>-.030</sub>	.995						
75-68514-	-14S-	-14	-14	.8750-20 UNEF	.531	.492	.438	.312 <sup>+.020</sup> <sub>-.030</sub>	1.123	.7500-20 UNEF	.609				
75-68515-	-14-	-15	-15	.8750-20 UNEF	.719	.679	.625	.469 <sup>+.020</sup> <sub>-.030</sub>	1.123	.7500-20 UNEF	.812				
75-68516-	-16S-	-16	-16	1.0000-20 UNEF	.531	.492	.438	.312 <sup>+.020</sup> <sub>-.030</sub>	1.250	.8750-20 UNEF	.609				
75-68517-	-16-	-17	-17	1.0000-20 UNEF	.719	.679	.625	.469 <sup>+.020</sup> <sub>-.030</sub>	1.250	.8750-20 UNEF	.812				
75-68518-	-18-	-18	-18	1.1250-18 NEF					1.333	1.0000-20 UNEF					
75-68520-	-20-	-20	-20	1.2500-18 NEF					1.461	1.1250-18 NEF					
75-68522-	-22-	-22	-22	1.3750-18 NEF					1.588	1.2500-18 NEF					
75-68524-	-24-	-24	-24	1.5000-18 NEF			.688		1.715	1.3750-18 NEF					
75-68528-	-28-	-28	-28	1.7500-18 NS			.688		1.968	1.6250-18 NEF					
75-68532-	-32-	-32	-32	2.0000-18 NS			.750		2.209	1.8750-16 UN					
75-68536-	-36-	-36	-36	2.2500-16 UN					2.463	2.0625-16 N					
75-68540-	-40-	-40	-40	2.5000-16 UN					2.718	2.3125-16 N					



WIRE WELL DATA				
CONTACT SIZE		8	12	16M
WELL DIA		.179 <sup>+.004</sup> <sub>-.002</sub>	.098 <sup>+.004</sup> <sub>-.000</sub>	.063 <sup>+.004</sup> <sub>-.000</sub>
WELL DEPTH		.500	.250	.250

- FOR MATING RECEPTACLE ASSEMBLIES, SEE DRAWINGS 75-68008 THRU 75-68040 & OTHERS.
- SEE WORK ORDER FOR PERMISSIBLE ADDITIONAL OR ALTERNATE STAMPING.
- ALL LOCKWIRE HOLES .045 DIA MIN.
- TO COMPLETE ASSEMBLY NO. & CB NO. REF, ADD APPLICABLE INSERT ARRANGEMENT SUFFIX TO BASE NUMBERS LISTED ABOVE. (FOR ALTERNATE ARRANGEMENTS, REFER TO 9-2437). TO DETERMINE DESIRED INSERT ARRANGEMENT, SEE PARTS LISTS (PL) 75-68508/40.
- INCREASE Z DIMENSION BY .266 FOR SIZE "8" CONTACT ONLY.
- FOR CONTACT SIZE, SPACING & SERVICE RATING, SEE DRAWINGS ANDIO425 THRU ANDIO436.
- DIMENSIONS MUST BE MAINTAINED WHEN INSERTS ARE PRESSED FIRMLY AGAINST INDICATED SHOULDER.

- DRAWING ILLUSTRATES FINAL ASSEMBLY. PLACE CONTACTS IN A POLYETHYLENE BAG AND INCLUDE IN A POLYETHYLENE BAG CONTAINING CONNECTOR.
- INSERTS ARE NOT REMOVABLE.
- UNITS ILLUSTRATED MEET THE MATERIAL & FINISH REQUIREMENTS PER MIL-C-5015C.

ITEM NO.	QTY REQD	DESCRIPTION	PART NUMBER	CODE IDENT	ZONE
PARTS LIST					
UNLESS OTHERWISE SPECIFIED			DRAWN	DATE	
LINEAR DIMENSIONS ARE IN INCHES TOLERANCES: 3 PLACES ±.010; 2 PLACES ±.005; 1 PLACE ±.002; ANGLES ±2° OTHER STANDARDS PER SCINTILLA SPEC 9-3800 & MIL-STD 3.			HALL	8-1-62	
MATERIAL SPEC			CHECKED	DATE	
PROCESS SPEC			HEHNER/EH	8-6-62	
TEST			MATERIAL		
ASSY			STANDARDS		
9-3106-5			BALANTIC/EH	8-6-62	
9-3104-1			DRAFTING		
9-2811, 9-2437			ENGINEERING		
			DEVELOPMENT		
		CODE IDENT NO	SIZE	TITLE	
		77820	C	CONNECTOR, ELECTRICAL PLUG, TYPE CB (IMC), SOLDERLESS	
		SCALE NONE	NT (SEE PL)	75-68508 THRU 75-68540	
		REF 10-69508/40	SHEET		

USE OF THIS DOCUMENT IS UNLIMITED. DOCUMENTS REFERENCED HEREON CONTAIN LIMITED RIGHTS DATA.

75-68508/40