

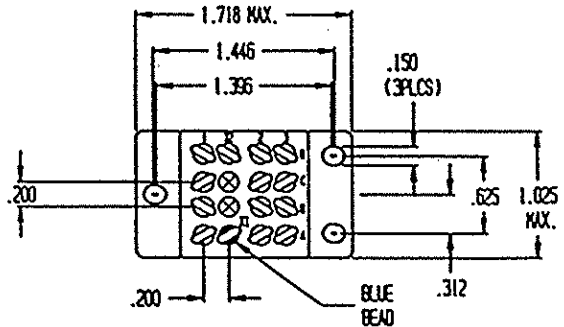
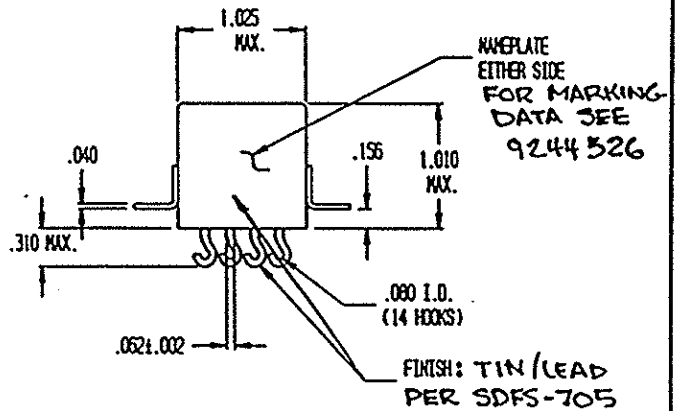
MSD INC.

ENGINEERING DATA SHEET

RELAY TYPE: FCA-410-1521M	COMPUTER PART No.: 9244 526	TEST PROCEDURE
CUSTOMER/SPECIFICATION: MIL-R-83536/15-021 REV NONE		MSDP-790

TEST REQUIREMENTS

COIL RES.: 290 +/- 10% ohms OPERATE TIME: 15 mS Max RELEASE TIME: 15 mS Max
 CONTACT MAKE BOUNCE: 1 mS Max N.O. BREAK BOUNCE: N/A
 CONTACT STABILIZATION TIME: 2.5 mS Max RATED COIL VOLTAGE: 28Vdc
 CONTACT RES.: MFG TEST: 8 Milliohms @ 10 mA FINAL TEST: 10 Milliohms @ 10 mA
 CONTACT VOLTAGE DROP: FINAL TEST: 100 mV Max @ 10 A - 6 V dc
 HI-POT: 1250 V rms ALL POINTS, EXCEPT 1000 V rms COIL TO CASE
 INSULATION RESISTANCE: 100 Megohms Min @ 500 V dc
 VIBRATION: MIL-STD-202, METHOD 204 (30 G's / 100-3000 Hz)
 SEAL TEST: 1X10⁻⁸ Max LEAK RATE COIL TRANSIENT SUPPRESSION: N/A
 OTHER: _____



TERMINAL LETTERS & NUMBERS FOR REFERENCE ONLY. DOES NOT APPEAR ON RELAY HEADER.

Prepared By: Date		Approved By: Date	
LES WYNNE 3-8-96		<i>J. Lockyer</i> 3-19-96	
Rev	ECN No.	Date	
A	96-065	3-8-96	

SPECIAL INSTRUCTIONS