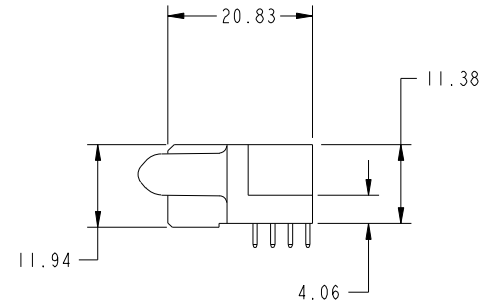
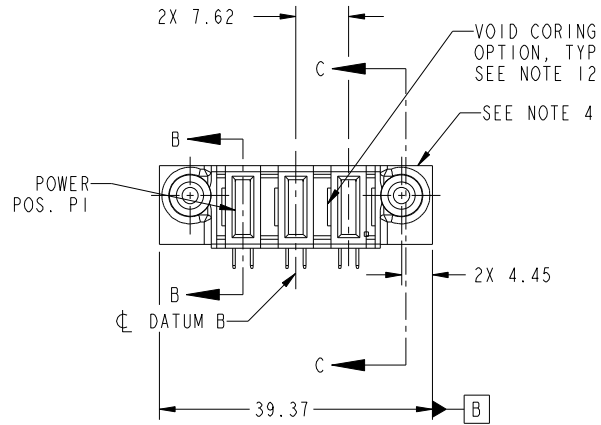


Tous droits strictement reserves. Reproduction ou communication a des tiers interdite sous quelque forme que ce soit sans autorisation écrite du propriétaire. Propriete de c FCI. Droits de reproduction FCI.



All rights strictly reserved. Reproduction or issue to third parties in any form whatever is not permitted without written authority from the proprietor. Property of FCI. Copyright FCI.

PRODUCT NO.	POWER				
	E2	P3	P2	P1	E1
51915-269-- NOTE 3					



CODE	DIM "M" MATING LENGTH	CONTACT TYPE
PC	[2.34]	POWER

mat'l code				SEE NOTE 2		tolerances unless otherwise specified		CUSTOMER		FCI	
ltr	ecn no.	dr	date	linear	0.X ± 0.5	projection		COPY		www.fciconnect.com	
A	DG10-0218	SM	06/08/10	angles	0.XX ± 0.25	MIM		title		3ACP	
				dr	0.XXX ± 0.1	scale		product family		PwrBlade	
				enrg	0° ± 2°	1:1		size		213	
				chr				dwg no		1 of 4	
				appd				51915-269			
sheet index	revision sheet	A	A	A	A			cage code		22526	
1	2	3	4							4	

Pro/E

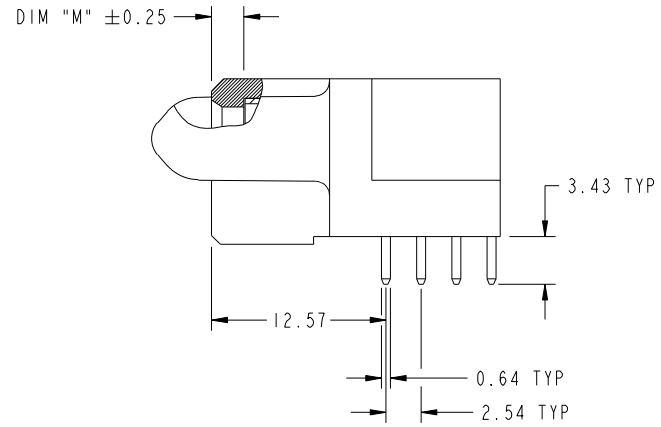
cage code 22526

Tous droits strictement reserves. Reproduction ou communication a des tiers interdite sous quelque forme que ce soit sans autorisation écrite du propriétaire. Propriete de c FCI. Droits de reproduction FCI.

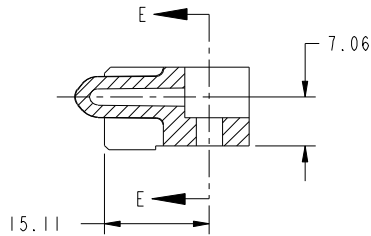
All rights strictly reserved. Reproduction or issue to third parties in any form whatever is not permitted without written authority from the proprietor. Property of FCI. Copyright FCI.



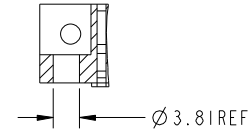
PRODUCT NUMBER
51915-269--
NOTE 3



BROKEN-OUT SECTION B-B
SCALE 2:1



SECTION C-C



PARTIAL SECTION E-E

mat'l code				SEE NOTE 2		tolerances unless otherwise specified		CUSTOMER		FCI		
ltr	ecn no.	dr	date	linear	0.X ±0.5	projection	COPY		www.fciconnect.com			
A					0.XX ±0.25			title		3ACP		
					0.XXX ±0.1			R/A SOLDER RECEPTACLE				
				angles	0° ±2°		product family		PwrBlade	code		
				dr	Shower Ma 06/08/10		size		dwg no	213		
				enrg	Shower Ma 06/08/10		scale		51915-269		sheet	
				chr	PM ZHENG 06/08/10		1:1		A		2 of 4	
				appd	Joseph Hsia 06/08/10							
sheet index		revision sheet										

cage code 22526

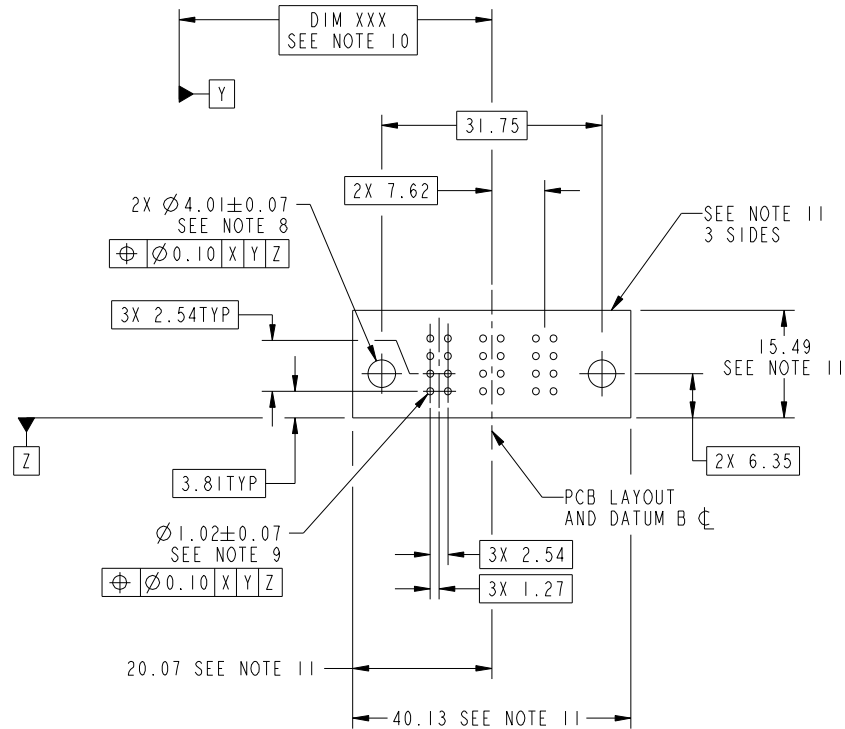
Pro/E

Tous droits strictement reserves. Reproduction ou communication a des tiers interdite sous quelque forme que ce soit sans autorisation écrite du propriétaire. Propriete de c FCI. Droits de reproduction FCI.



All rights strictly reserved. Reproduction or issue to third parties in any form whatever is not permitted without written authority from the proprietor. Property of FCI. Copyright FCI.

PRODUCT NUMBER
51915-269--
NOTE 3



RECOMMENDED PCB LAYOUT

mat'l code		SEE NOTE		tolerances unless otherwise specified		CUSTOMER		 www.fciconnect.com	
ltr	ecr no.	dr	date	linear	0.X ± 0.5	COPY		title	
A					0.XX ± 0.25	projection		3ACP	
				angles	0.XXX ± 0.1			R/A SOLDER RECEPTACLE	
				dr	Shower Ma 06/08/10			product family PwrBlade code 213	
				engr	Shower Ma 06/08/10	scale		size dwg no 213	
				chr	PM ZHENG 06/08/10	1:1		sheet 3 of 4	
				appd	Joseph Hsia 06/08/10	A		51915-269	
sheet index	revision sheet								

cage code 22526

Pro/E

Tous droits strictement reserves. Reproduction ou communication a des tiers interdite sous quelque forme que ce soit sans autorisation écrite du propriétaire. Propriete de c FCI. Droits de reproduction FCI.



All rights strictly reserved. Reproduction or issue to third parties in any form whatever is not permitted without written authority from the proprietor. Property of FCI. Copyright FCI.

PRODUCT NUMBER
51915-269--
NOTE 3

NOTES:

1. DIMENSIONS AND TOLERANCES ARE IN ACCORDANCE WITH ASME Y14.5M, 1994 UNLESS OTHERWISE SPECIFIED.

CONNECTOR NOTES:

- 2. HOUSING MATERIAL: UL 94 V-0 GLASS FILLED HIGH-TEMP THERMOPLASTIC
POWER CONTACT MATERIAL: COPPER ALLOY
- 3. SEE ITEM 5 & 6 IN PRINT 10064183 FOR PLATING SPEC OF 51915-269 AND 51915-269LF RESPECTIVELY.
- 4. MANUFACTURER'S NAME, DATE CODE AND OPTIONAL P/N TO APPEAR ON THIS SURFACE. THE P/N CAN BE OMITTED IF THERE IS NOT ENOUGH SPACE ON THIS SURFACE.
- 5. PRODUCT SPECIFICATION GS-12-149.
APPLICATION SPECIFICATION BUS-20-067.
- 6. PACKAGED IN TRAYS.

PCB NOTES:

- 7. ALL HOLE DIAMETERS ARE FINISHED HOLE SIZE.
- 8. MOUNTING HOLES, WHERE APPLICABLE, ARE UNPLATED.
- 9. $\varnothing 1.151 \pm 0.025$ DRILLED HOLES PLATED WITH 0.008 MIN SnPb OR Sn OVER 0.03 TO 0.08 Cu PLATING TO ACHIEVE $\varnothing 1.02 \pm 0.07$ HOLE.
- 10. "DIM XXX" TO BE DETERMINED BY THE CUSTOMER.
- 11. CONNECTOR KEEP-OUT ZONE.
- 12. THE VOID CORING IN BETWEEN POWER MODULES, SIGNAL MODULES AND END MODULES ARE OPTIONAL AND THE SHAPE MAY BE DIFFERENT FOR OPTIMIZE THE MOLDING PROCESS. THE VOID CORING WILL NOT EFFECT TO PRODUCT FUNCTION.

mat'l code				SEE NOTE 2		tolerances unless otherwise specified		CUSTOMER		FCI	
ltr	ecr no.	dr	date	linear	0.X ± 0.5		COPY		www.fciconnect.com		
A					0.XX ± 0.25		projection		title		
					0.XXX ± 0.1				3ACP R/A SOLDER RECEPTACLE		
				angles	0° ± 2°				product family		code
				dr	Shower Ma	06/08/10	scale		PwrBlade		213
				enrg	Shower Ma	06/08/10	1:1		size		sheet
				chr	PM ZHENG	06/08/10	A		dwg no		4 of 4
				appd	Joseph Hsia	06/08/10			51915-269		
sheet index	revision sheet										

cage code 22526

Pro/E