

DP10054P3L

100 Watts

Data Sheet

Total Power: 100 Watts
Input Voltage: 90 - 264 Vac
of Outputs: Single, 54 Volts

SPECIAL FEATURES

- Active power factor correction
- EN6100-3-2 compliant
- Universal AC input
- Fully regulated output
- Overcurrent, overvoltage and thermal protection
- Constant voltage
- Level VI efficiency
- High MTBF
- IEC320 AC receptacle, 3 pin (type C6)
- Built in EMI filter (CISPR 22 Class B)
- AC input fuse
- Efficiency complies with European CoC v.5 Tier 2 & US DoE Level VI
- RoHS compliant
- POE isolation on output
- Meets K.21 enhanced surge requirements of 6KV Criteria B

SAFETY

- UL UL 60950-1
IEC 62368-1
- CSA CSA-C22.2 No.60950-1
- CB Certificate and report
- PSE Denan PSE approval (Japan)
- CCC
- CE LVD and EMC
- TUV EN60950-1



Electrical Specifications

Input	
Input range	90 - 264 Vac (wide range)
Frequency	47 - 63 Hz
Inrush current	94 A maximum @ 264 Vac, cold start 25 °C
Input current	1.85 A maximum
Efficiency	87% typical
EMI/RFI	FCC Part 15, Subpart B Class B & EN55022 (CISPR 22) Class-B
Safety ground leakage current	3.5 mA maximum @ 50/60 Hz, 264 Vac input
Output	
Maximum power (Po)	100 W
Hold-up time	20 ms. minimum at full load @ 115 Vac
Overvoltage protection	Latching type, recycle AC to reset
Overcurrent protection	Output short circuit protection auto recover Overload protection @ 110 - 160% above maximum rating
Thermal protection	105 °C to 120 °C Trip point; output will latch off
Cable/connector	DC cable length 2.5 mm center plug DC plug center +v DC plug outer -v

Environmental Specifications

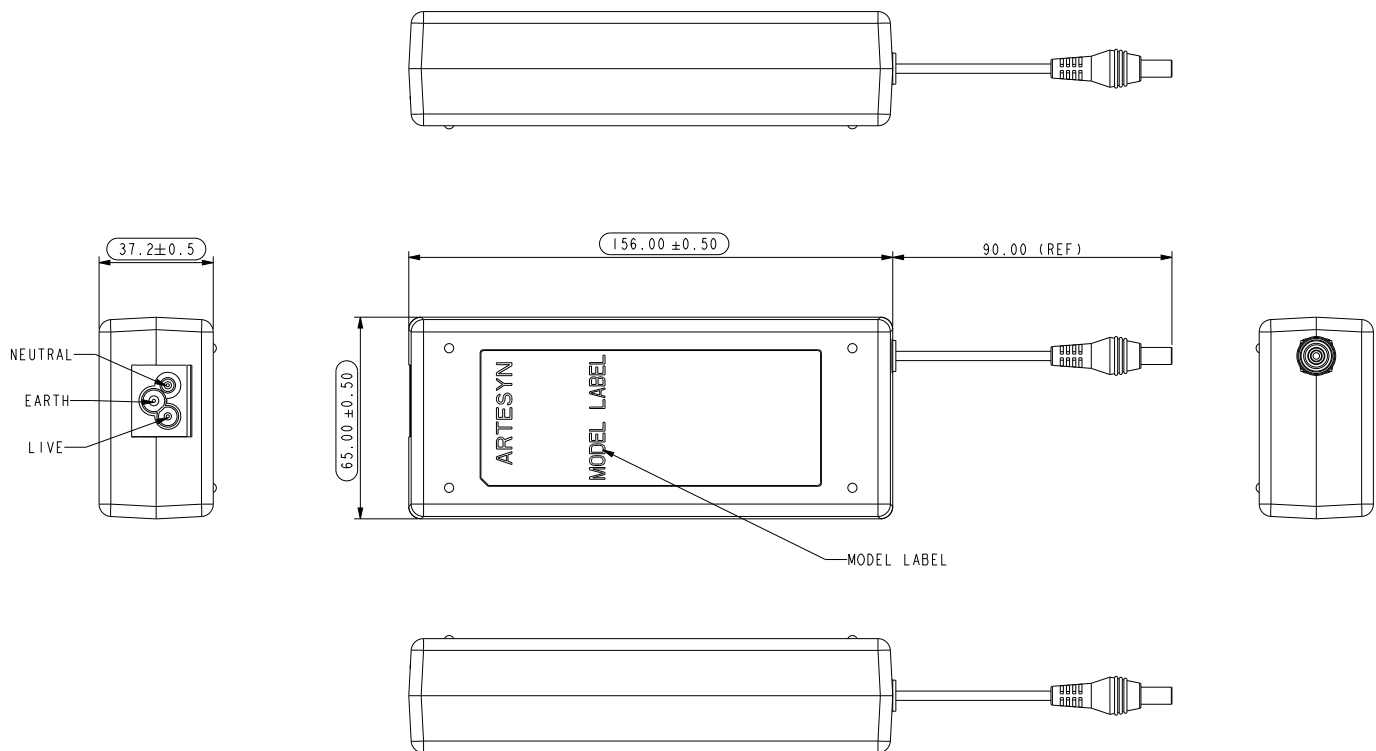
Operating temperature	-5 °C to +45 °C ambient
Storage temperature	-40 °C to +70 °C
Electromagnetic susceptibility	Designed to meet EN61000-4-2, -4, -5, level 3; EN61000-4-3, -6, 3 v/m; EN61000-4-8, -11; EN61000-3-2 Class A
Humidity	Operating; non-condensing 10% to 90% RH
MTBF demonstrated	> 550,000 hours at full load and 25 °C ambient conditions

Ordering Information

Model Number	Maximum Power	Output Voltage	Maximum Load	Peak Load ¹	Regulation ²	Ripple P/P (PARD) ³
DP10054P3L	100 W	54 Vdc	1.85 A	2.035 A	± 5%	< 540 mV

1. Peak current lasting <4 seconds with a maximum 10% duty cycle.
2. At 25 °C including initial tolerance, line voltage, load currents and output voltages adjusted to factory settings.
3. Peak-to-peak with 20 MHz bandwidth and 10 µF (tantalum capacitor) in parallel with a 0.1 µF capacitor at rated line voltage and load ranges.

Mechanical Drawing



Notes:

1. Specifications subject to change without notice.
2. All dimensions in (mm)
3. Warranty: 2 year
4. Weight: 0/9 lb./0.4 kg
5. AC input conector: IEC320, C6. AC input power cord sold separately.
6. Specifications at factory settings at 115/230 Vac input, 25 °C unless otherwise stated

WORLDWIDE OFFICES

Americas

2900 S.Diablo Way
Tempe, AZ 85282
USA
+1 888 412 7832

Europe (UK)

Waterfront Business Park
Merry Hill, Dudley
West Midlands, DY5 1LX
United Kingdom
+44 (0) 1384 842 211

Asia (HK)

14/F, Lu Plaza
2 Wing Yip Street
Kwun Tong, Kowloon
Hong Kong
+852 2176 3333

ARTESYN[™]
EMBEDDED TECHNOLOGIES

www.artesyn.com

Artesyn Embedded Technologies, Artesyn and the Artesyn Embedded Technologies logo are trademarks and service marks of Artesyn Embedded Technologies, Inc. All other names and logos referred to are trade names, trademarks, or registered trademarks of their respective owners. Specifications are subject to change without notice. © 2017 Artesyn Embedded Technologies, Inc. All rights reserved. For full legal terms and conditions, please visit www.artesyn.com/legal.

For more information: www.artesyn.com/power
For support: productsupport.ep@artesyn.com