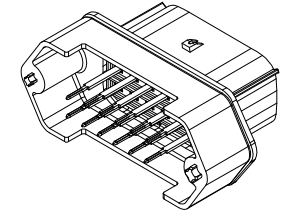
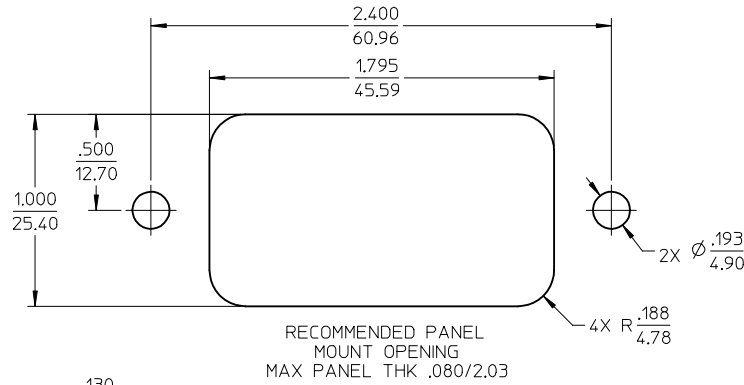
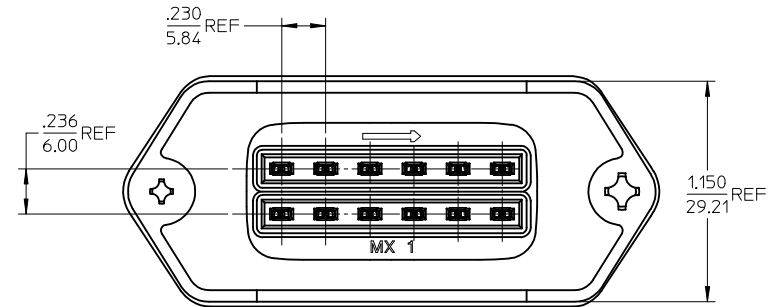
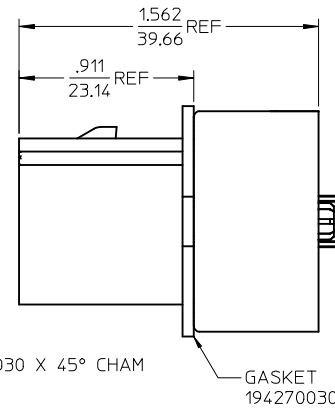
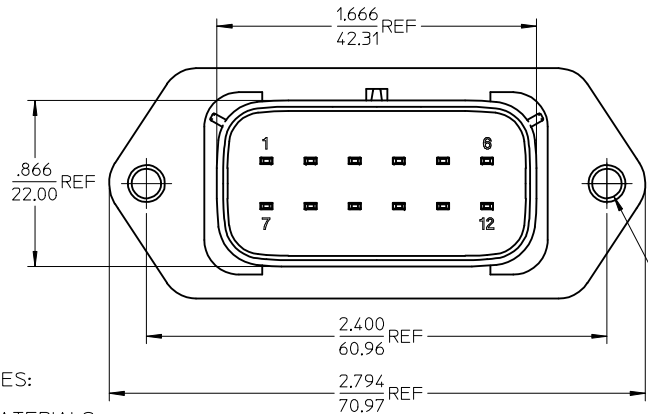
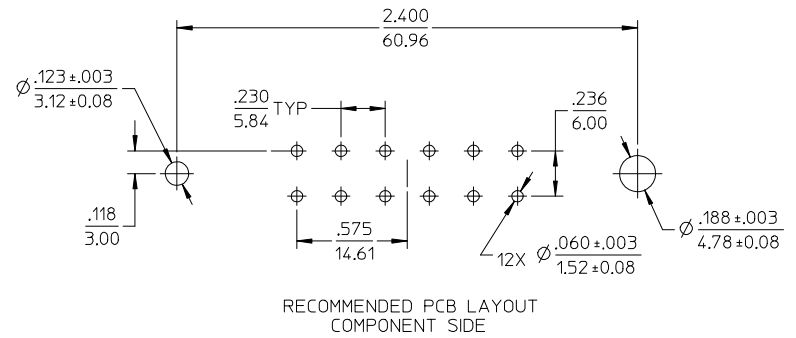
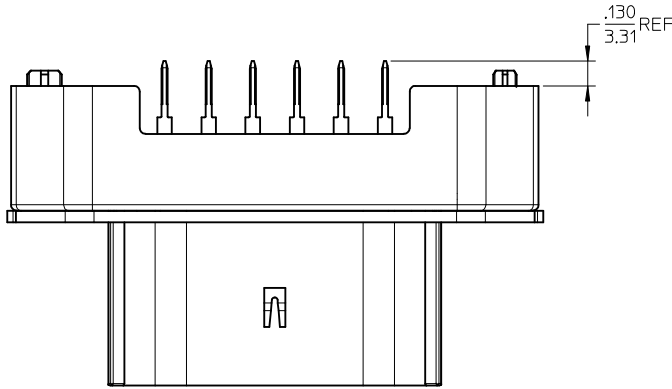


ASSEMBLY MATERIAL NUMBER	TERMINAL PLATING
194280001	TIN
194280023	TIN/GOLD



ASSEMBLED VIEW
SCALE 1:1



NOTES:

- MATERIALS:
HOUSING: POLYESTER (PBT), GLASS FILLED, UL94 V-0,
COLOR: BLACK
TERMINALS: COPPER ALLOY
- FINISHES: 1. TIN ONLY: 100µM TIN OVER 50µM NICKEL
2. TIN/GOLD: 30µM SELECT GOLD (CONTACT MATING AREA),
100µM SELECT TIN (PCB TAIL AREA) OVER 50µM NICKEL OVERALL.
- PRODUCT SPECIFICATION: PS-19428-001.
- PACKAGING SPECIFICATION: PK-19428-001.
- MATES WITH: 19418 SERIES RECEPTACLE ASSEMBLIES.
- RECOMMENDED MOUNTING HARDWARE: (2) #10 X .62/18.9 LONG PLASTIC
THREAD CUTTING SCREWS, RECOMMENDED TORQUE 15-17 IN.-LBS.
SUGGESTED SOURCE: ITW SHAKEPROOF INDUSTRIAL BOSSCREW OR EQUIVALENT.

REVISED EC NO: ETC2006-0028 DRWN:JPALICK 2005/10/10 CHKD:JPALICK 2005/10/11 APPR:RDEROSS 2005/10/11	DESCRIPTION	QUALITY SYMBOLS	GENERAL TOLERANCES (UNLESS SPECIFIED)	DIMENSION STYLE	SCALE	DESIGN UNITS	THIRD ANGLE PROJECTION													
		$\nabla=0$ $\nabla=0$	<table border="1"> <tr> <th></th> <th>mm</th> <th>INCH</th> </tr> <tr> <td>4 PLACES</td> <td>± .005</td> <td>± .0005</td> </tr> <tr> <td>3 PLACES</td> <td>± .005</td> <td>± .015</td> </tr> <tr> <td>2 PLACES</td> <td>± 0.38</td> <td>± .015</td> </tr> <tr> <td>1 PLACE</td> <td>± .005</td> <td>± .015</td> </tr> </table>		mm	INCH	4 PLACES	± .005	± .0005	3 PLACES	± .005	± .015	2 PLACES	± 0.38	± .015	1 PLACE	± .005	± .015	IN/MM	2:1
	mm	INCH																		
4 PLACES	± .005	± .0005																		
3 PLACES	± .005	± .015																		
2 PLACES	± 0.38	± .015																		
1 PLACE	± .005	± .015																		
B			DRAFT WHERE APPLICABLE MUST REMAIN WITHIN DIMENSIONS	DRAWN BY DMYRICK DATE 04/07/07	TITLE 12-WAY STRAIGHT HEADER ASSEMBLY, LONG VERSION															
				CHECKED BY JPALICK DATE 04/07/07																
				APPROVED BY RDEROSS DATE 04/07/07																
				MATERIAL NO. SEE CHART	DOCUMENT NO. SD-19428-015															
				SIZE C	THIS DRAWING CONTAINS INFORMATION THAT IS PROPRIETARY TO MOLEX INCORPORATED AND SHOULD NOT BE USED WITHOUT WRITTEN PERMISSION		SHEET NO. 1 OF 1													