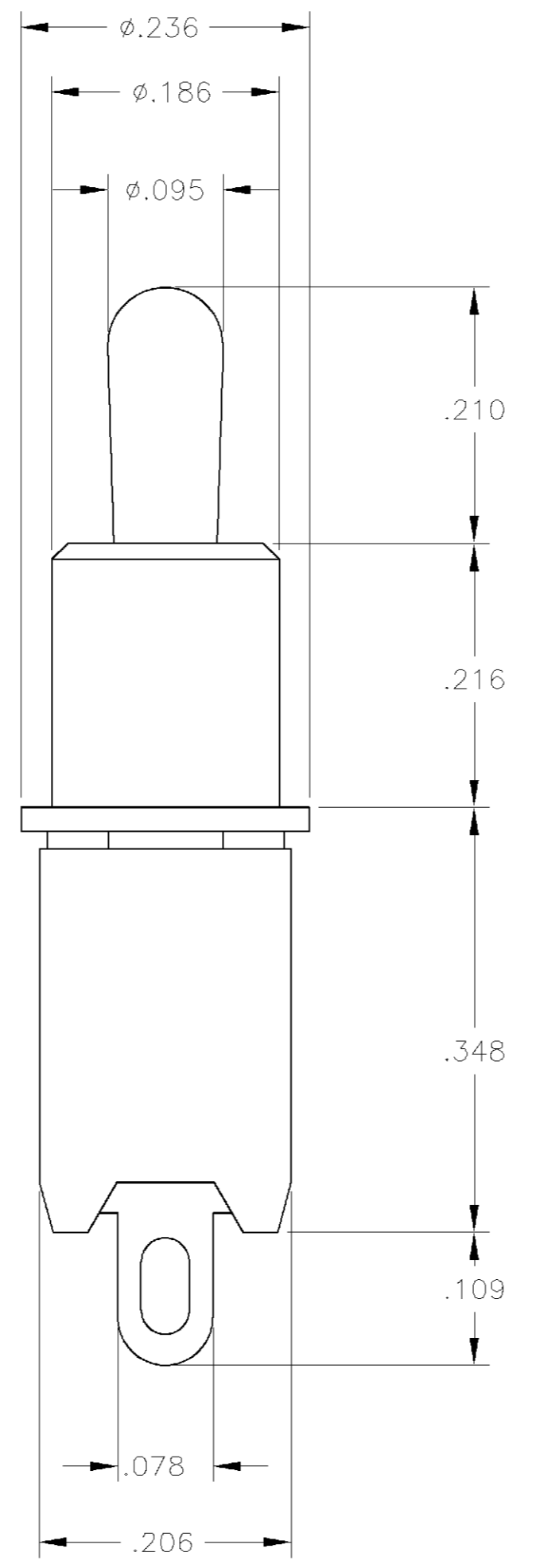
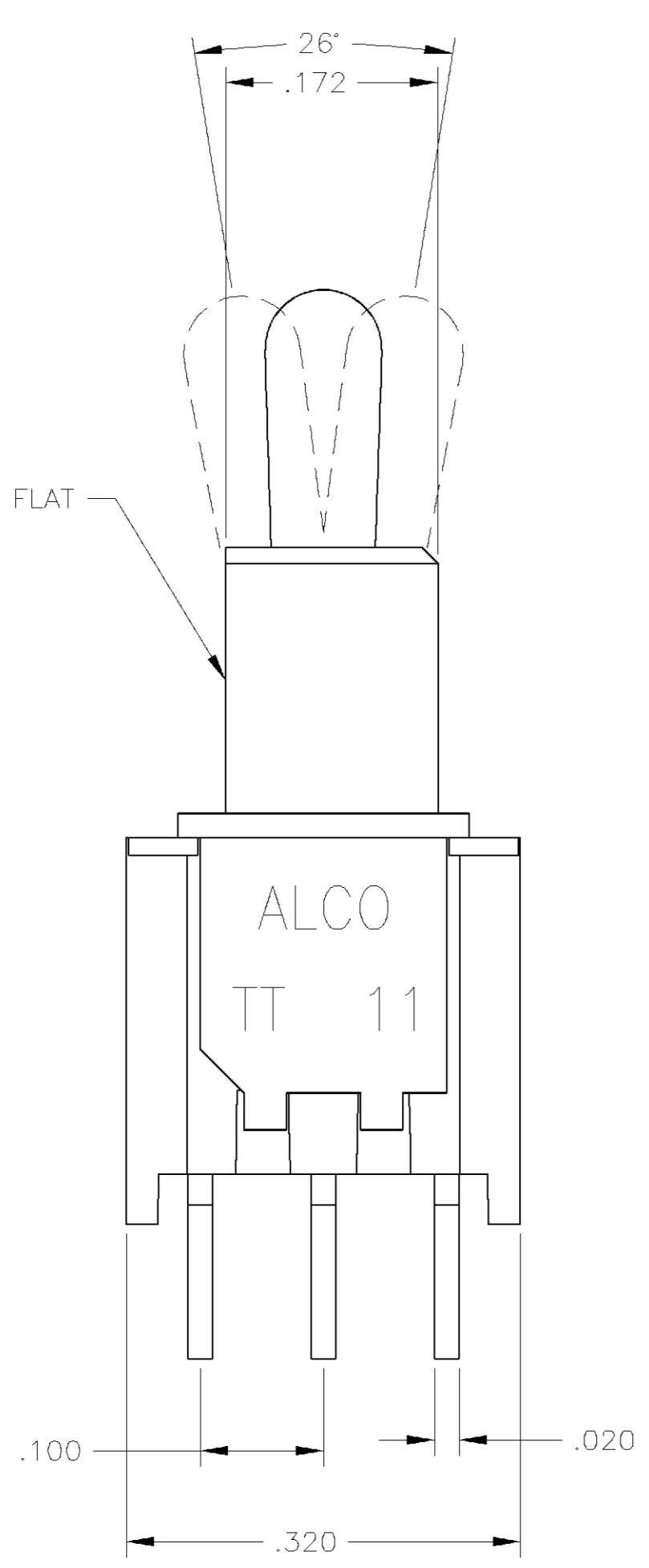


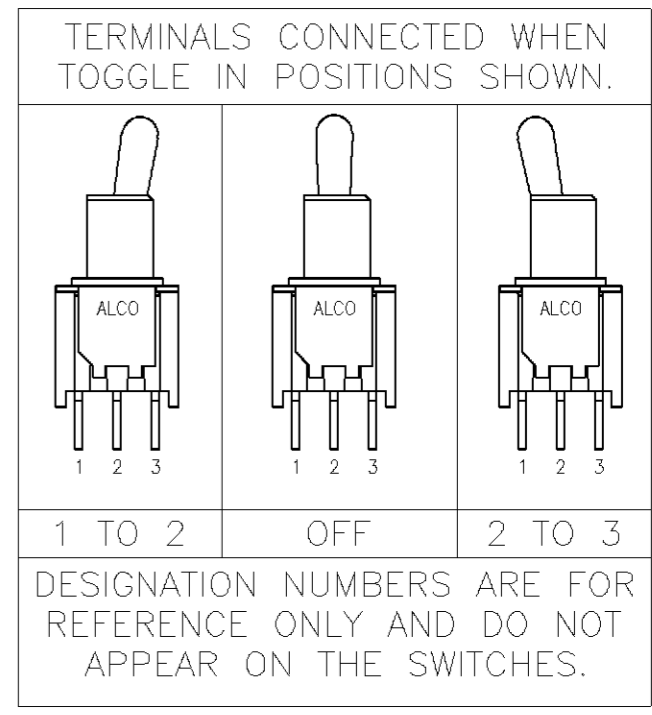
THIS DRAWING IS UNPUBLISHED. RELEASED FOR PUBLICATION
 © COPYRIGHT BY TYCO ELECTRONICS CORPORATION. ALL RIGHTS RESERVED.

LOC	DIST	REVISIONS			
P	LTR	DESCRIPTION	DATE	DWN	APVD
AD	00	REV PER EC 0G3C-342-01	06DEC01	MB	MZ



NOTES:

- MATERIALS:**
 CASE AND ACTUATOR: THERMOPLASTIC, UL94-V0.
 FRAME: STEEL, TIN PLATED
 BUSHING AND ACTUATOR LEVER: BRASS, NICKEL PLATED
 O-RING: THERMOSET ELASTOMER
 PLUNGER: STAINLESS STEEL, PASSIVATED
 SPRING: MUSICAL WIRE
 CONTACTS AND TERMINALS: BRASS, GOLD OVER NICKEL PLATED
 TERMINAL SEAL: EPOXY
- ELECTRICAL:**
 CONTACT RATING: 0.4 VA @ 20 VDC OR PEAK AC
 INITIAL CONTACT RESISTANCE: 20 MILLIOHMS MAX
 INSULATION RESISTANCE: 1,000 MEGOHMS AT 500 VDC MIN.
 DIELECTRIC STRENGTH: 1,000 VOLTS RMS AT SEA LEVEL
 LIFE EXPECTANCY: 80,000 CYCLES (2 POSITION)
 60,000 CYCLES (3 POSITION).
- ENVIRONMENTAL:**
 OPERATING TEMPERATURE: -22°F TO +185°F (-30°C TO +85°C)
 STORAGE TEMPERATURE: -67°F TO +185°F (-55°C TO +85°C)



147844-1
 PART NUMBER

THIS DRAWING IS A CONTROLLED DOCUMENT.		DWN M.BINNER 17OCT2001	Tyco Electronics Corporation City, State, Zip	
DIMENSIONS: INCHES		CHK M.ZITTO 22OCT01		
TOLERANCES UNLESS OTHERWISE SPECIFIED:		APVD M.ZITTO 22OCT01	NAME SUBMINIATURE TOGGLE SWITCH SINGLE POLE	
0 PLC ± - 1 PLC ± - 2 PLC ± - 3 PLC ± - 4 PLC ± - ANGLES ± -		PRODUCT SPEC -	SIZE A2	
MATERIAL SEE TABLE		FINISH -	CAGE CODE 00779	DRAWING NO 147844
		WEIGHT -	RESTRICTED TO -	
		CUSTOMER DRAWING	SCALE 8:1	SHEET 1 OF 1