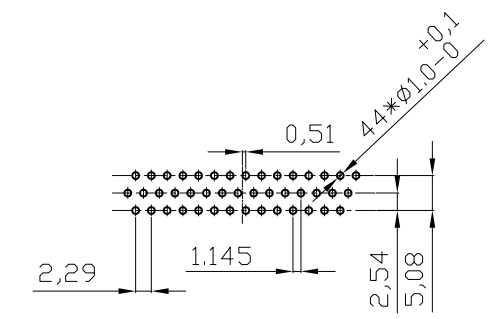


NOTES:

MATERIAL

1. Insulator Material: Black, NYLON+G/F
2. Contact Material : Copper Alloy
3. Plating : Gold Plating
4. Waterproof Rate: IP67
5. Do Mating Test After Glued
6. LOGO



44 Pin Male Connector
PCB Pin Layout

RoHS compliant

Scale	1:1					Date	Name	Customer-No.
TOLERANCE						Drawn	JACK	
X.X	±0.25					Approved	Hellwig	ASSMANN WSW-No.
X.XX	±0.10							A-HDS 44 AA-WP
X.XXX	±0.05							Drawing-No.
DIM	TOL							ASS 3286 CO
ANGLE	±1°							rev01
X.X°	±X°	①	Drawn	30.12.2008	JACK			
Angle	TOL	Id.	Modification	Date	Name	Replace	Sheet	