

DO NOT SCALE DRAWING DIMENSION IN METRIC

SD-35896-008

DWG. NO.

SIMILAR ITEM

PROJECT NO.

C

B

8

7

6

5

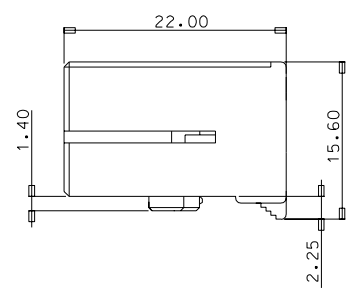
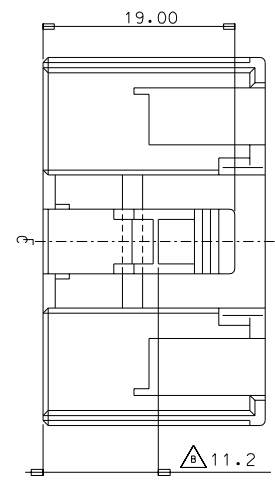
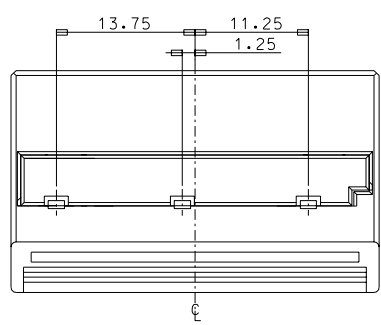
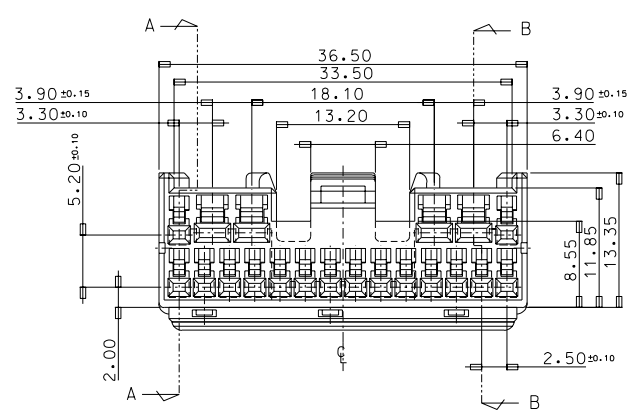
4

3

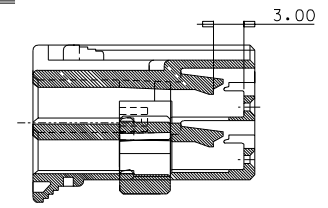
2

1

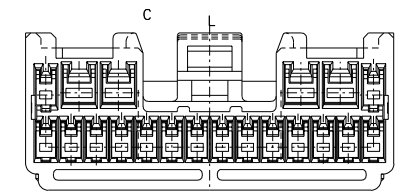
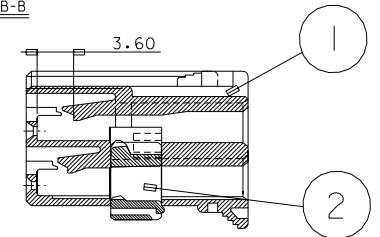
NO.	PART NO.	PART NAME	MATERIAL	REMARK
1	35896-2090	.040/090 F/HSG 20P	POLYESTER	WHITE
2	35896-2083	.040/090 FEMALE TPA 20P	POLYESTER	YELLOW



SECTION A-A



SECTION B-B



NOTE  
 1. MATERIAL & FINISH: SEE TABLE  
 2. APPLICATION: .040/090 MALE HOUSING ASS'Y 20P(ENG. NO.:35897-2010)

RELEASE TO MANUFACTURING EC NO.: KOR2002-0139 DRWN: H.C.RHO 02/06/25 CHK: B.K.CHOI 02/06/25 APPR: C.W.LEE 02/06/25	QUALITY SYMBOLS MAJOR = CRITICAL =	GENERAL TOLERANCES: (UNLESS SPECIFIED)		SCALE 2:1	DESIGN UNITS <input checked="" type="checkbox"/> mm <input type="checkbox"/> INCH	THIRD ANGLE PROJECTION 	DIMENSIONS: <input type="checkbox"/> mm <input type="checkbox"/> INCH <input checked="" type="checkbox"/> mm ONLY		SHT	REV
		4 PLACES ±0.	±.	DRAWN BY & DATE 00/09/30 H.C.RHO	TITLE: .040/090 FEMALE HOUSING ASS'Y 20P					
		3 PLACES ±0.	±.	CHECKED BY & DATE 00/09/30 B.K.CHOI						
		2 PLACES ±0.2	±.	APPROVED BY & DATE 00/09/30 C.W.LEE	MOLEX MOLEX INCORPORATED					
1 PLACE ±0.3	±.	ANGULAR: ± 1 °	CAD FILENAME 49FHA20	MATERIAL NO. SEE CHART	DRAWING NO. SD-35896-008	SHEET NO. 1 OF 1	SIZE B			
B	REV	DRAFT WHERE APPLICABLE MUST REMAIN WITHIN DIMENSIONS				THIS DRAWING CONTAINS INFORMATION THAT IS PROPRIETARY TO MOLEX INCORPORATED AND SHOULD NOT BE USED WITHOUT WRITTEN PERMISSION.				

8

7

6

5

4

3

2

MX-A3