

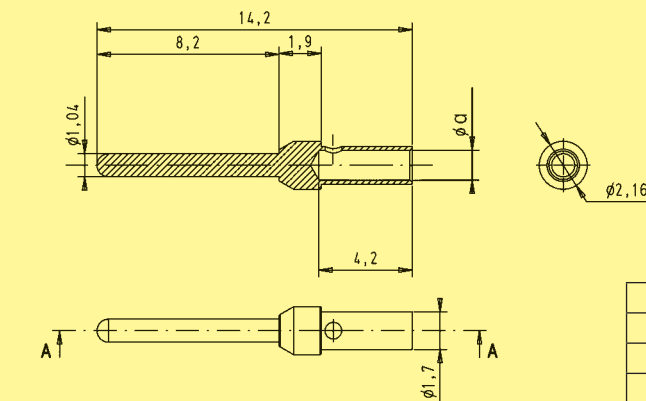


Turned crimp contacts

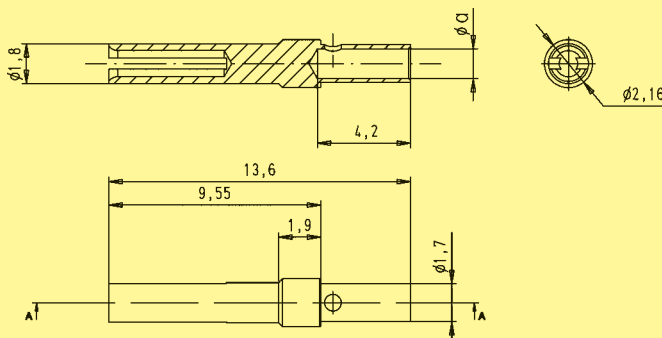
Identification	Wire gauge (mm ²)	Part No.	
		turned male contacts	turned female contacts
		Performance level 1*	Performance level 1*
Individual contacts ¹⁾	AWG 22-18 0.33-0.82	09 67 000 3576	09 67 000 3476
	AWG 24-20 0.25-0.52	09 67 000 8576	09 67 000 8476
	AWG 26-22 0.13-0.33	09 67 000 5576	09 67 000 5476
	AWG 28-24 0.09-0.25	09 67 000 7576	09 67 000 7476

¹⁾ Minimum order 100 pieces or multiples of 100

Male contacts



Female contacts



* Performance level 1 as per CECC 75 301-802, 500 mating cycles, 10 days 4 mixed gas test – IEC 60 512
Use crimp tool with the part no. 09 99 000 0501 and the locator with the part no. 09 99 000 0531. Details see chapter 20